

Installation

S24-210

Ligature Resistant Showerhead

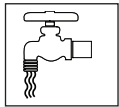
IMPORTANT!



Read this entire installation manual to ensure proper installation. When finished with the installation, file this manual with the owner or maintenance department. Compliance and conformity to local codes and ordinances is the responsibility of the installer.



Separate parts from packaging and make sure all parts are accounted for before discarding packaging material. If any parts are missing, do not begin installation until you obtain the missing parts.



Make sure that all water supply lines have been flushed and then completely turned off before beginning installation. Debris in supply lines can cause valves to malfunction.



Product warranties may be found under "Products" on our web site at www.bradleycorp.com.

Supplies Required:

- Security Sealant
- 1/4" Tamper Resistant Button Screws with Security Pin (4)
- Anchors for 1/4" Screws (4)
- Water supply piping to connect 1/2" NPT

1 Rough-in

A Rough-in the supply piping as required for your installation.

2 Install Showerhead

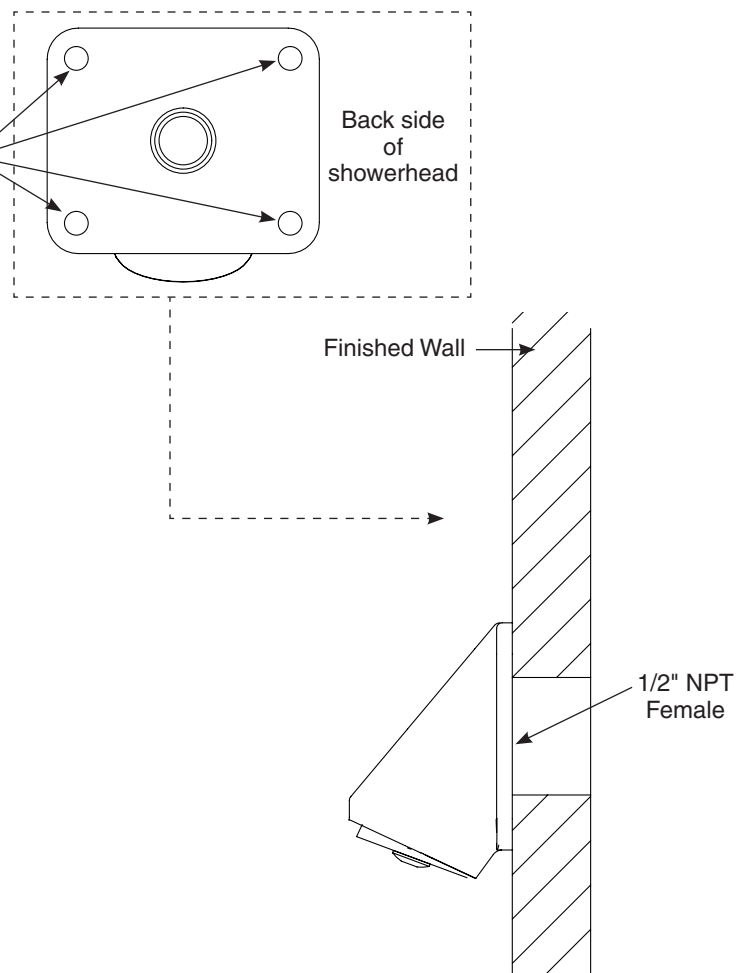
A Determine mounting location. Use showerhead as template to mark the four mounting hole locations.

B Install wall anchors (supplied by installer) for 1/4" screws at the marked anchor hole locations.

C Secure the showerhead to the wall anchors with 1/4" screws (supplied by installer).

D Ensure proper shower head adjustment and tightening of screws.

E Apply security sealant completely around showerhead after installation.



WARNING! After installation, all joints require security sealant (by installer) to eliminate gaps (if present) between wall and fixture.