

HN250-BF

Valve Right/Seat Left shown

Valve Left/Seat Right is opposite

36" x 36" Enclosure is not provided
as standard equipment

Installation

Bradley Barrier-Free HN250-BF Surface-Mounted

Equa-Flo™

Infrared Control

Thermostatic Control

Single Valve w/ Lever Handle

Air Metering Valve

Touch-Time™

Table of Contents

Pre-Installation Information	2
Components and Shower Stall Dimensions	2
Installation Instructions	3-4
Cleaning Instructions	4

IMPORTANT

Read the entire installation manual to ensure proper installation of your HN250-BF shower.

This manual covers all of the HN250-BF variations and options available, including shower seat and curtain installation. Simply omit the steps which do not apply to the unit you are installing.

This shower complies with most, but not all, ADA dimensional requirements. Check local codes prior to installation. For ADA compliance use the HN250 model.

Valve Left/Seat Right version is shown throughout this manual. Valve Right/Seat Left is opposite.

Plumbing contractor shall be responsible for installing shower panel at the correct height to meet accessibility requirements.

This installation manual and parts list should be filed by the building owner's maintenance department.

Product warranties and parts information may also be found under "Products" on our web site at www.bradleycorp.com.

Pre-Installation Information

WARNING! This shower system may not protect the user from scalding if other temperature controlling devices in the plumbing system should fail.

CAUTION! Excessive heat to the Equa-Flo valve body will damage its internal parts.

Supplies required for installation:

- 1/2" NPT hot and cold or 1/2" NPT tempered water supplies.
- (4) 1/4" wall anchors and 1/4"-20 x 3/4" screws to install shower face plate assembly to wall.
- (6) wall anchors for 1/4"-20 x 1-1/4" hex socket screws to install grab bar (grab bar is designed to sustain a concentrated load of 300 pounds).

Overview

The Bradley Barrier-Free HN250-BF comes assembled for job site installation. When installed in a 36" x 36" stall, the HN250-BF provides a shower which meets most, but not all ADA accessibility codes. Check local codes for dimensional compliance.

Components

Shower Panel Material: The shower control panel is constructed of 16-gauge type 304 stainless steel.

Valve and Component Material: All exposed parts (except seat cover) are stainless steel or polished chrome-plated brass. Valve bodies are brass casting.

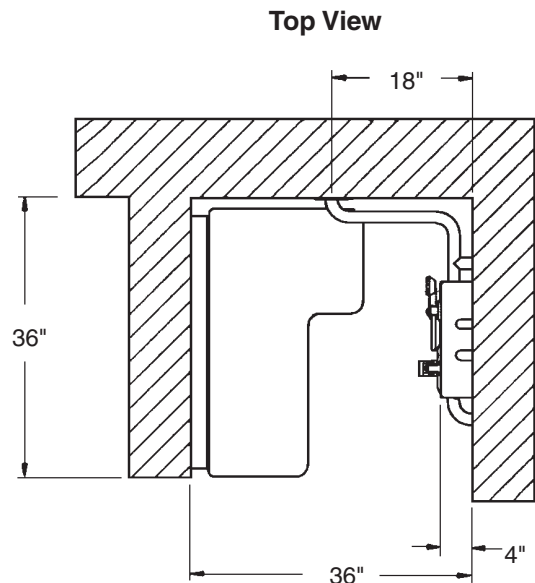
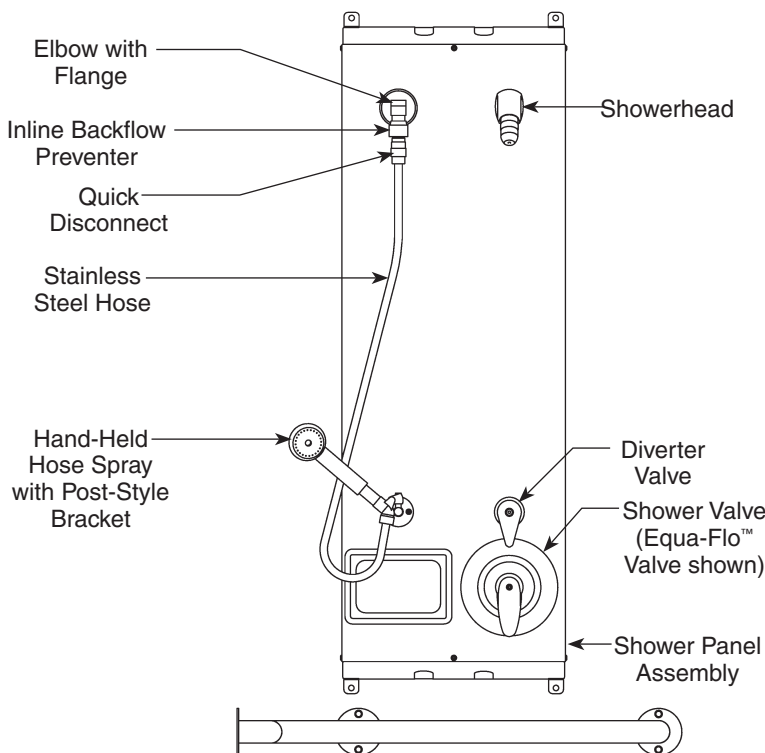
Barrier-Free Seat: Folding shower seat is constructed of white phenolic with a load capacity of 250 lbs.

Shower Curtain: Vinyl shower curtain comes with stainless steel curtain rod and hooks.

Components and Shower Stall Dimensions



Compliance and conformity to local codes and ordinance is the responsibility of the installer.



Installation

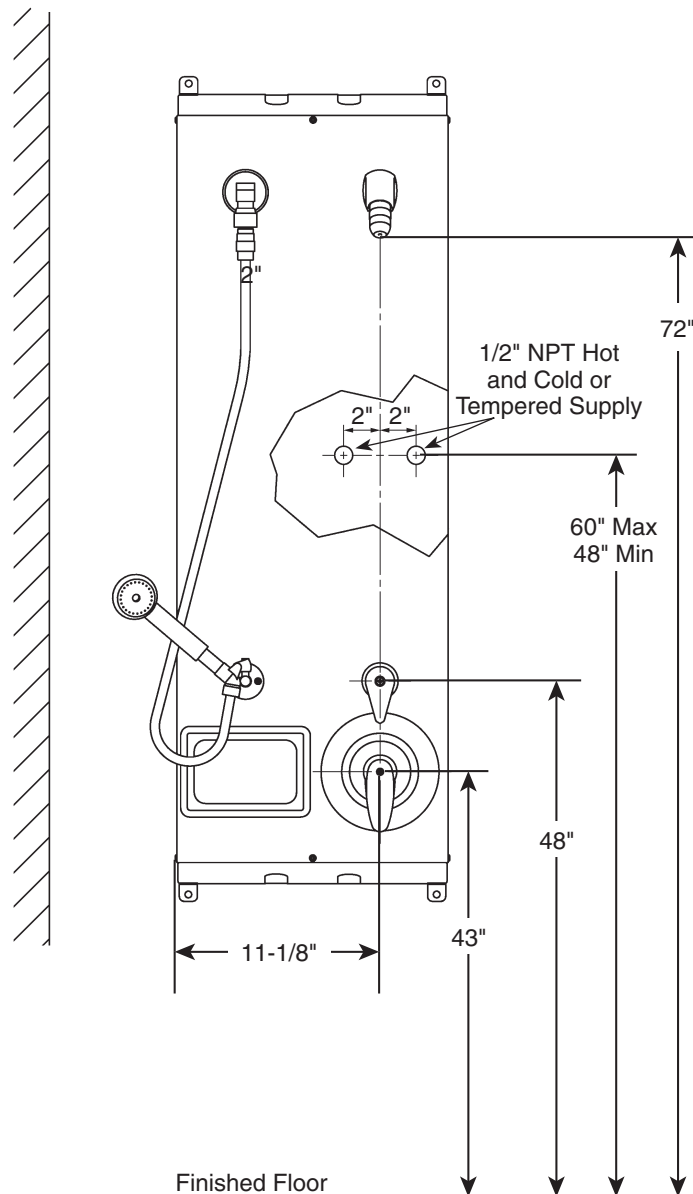
- ☑ Flush the supply lines before making connections.
- ☑ If supplies are coming in behind shower, Install the supply inlets no lower than 48" and no higher than 60" off of finished floor.

Step 1: Rough in piping for shower

- ☑ When facing the wall, the supply pipe to the left of the centerline is HOT.
1. Rough in 1/2" NPT hot and cold water supply piping for valve (piping supplied by installer).

Step 2: Make Plumbing Connections

- ☑ Hoses need to be connected to 1/2" NPT pipe stubs before the shower is fastened to the wall.
2. Make water supply connections to the stainless steel hoses.
 - Equa-Flo and Thermostatic = 1/2" NPT Hot and Cold supplies.
 - Single Valve w/ Lever Handle, Infrared Control, Air Valve and Touch Time = 1/2" NPT tempered supply.



Step 3: Mount Shower and Grab Bar

1. Mount the shower panel assembly to the wall with four 1/4" diameter bolts (supplied by installer).
2. Position the grab bar to the wall and, using the flanges as templates, mark the six bolt hole locations on the wall.
3. Install six wall anchors (supplied by installer) for 1/4"-20 x 1-1/4" hex socket screws at the bolt hole locations.
4. Secure the grab bar to the wall anchors with six 1/4"-20 x 1-1/4" hex socket screws (supplied by installer).

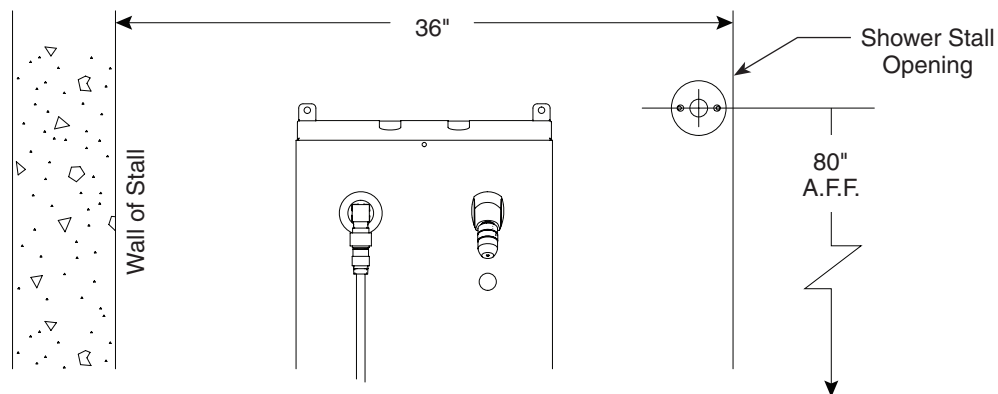
Step 4: Mount shower seat

1. Follow Shower Seat Installation that is shipped with seat.

Step 5: Install curtain rod

1. Measure and cut the stainless steel curtain rod to fit the shower stall opening.
2. Mount one shower rod flange 80" (2032mm) from the floor as close to the opening of shower stall as possible with two #10-13 x 2" Phillips-head screws provided.
 - Insert one end of the shower rod into the flange.
 - Slide the other shower rod flange onto the shower rod.
3. Position the shower rod and flange at the same dimensions as the first flange but on the opposite side of the shower stall opening.
4. Secure the flange to the wall with two #10-13 x 2" Phillips-head screws provided.
5. Install the ten hooks onto the curtain rod and hang the curtain onto the rod.

Curtain Rod Dimensions



Cleaning Instructions

IMPORTANT! Cleanliness is of utmost importance. Do not permit salty solutions to evaporate and dry on stainless steel. Never use ordinary steel wool or steel brushes on stainless steel. Always use stainless steel wool or stainless steel brushes.

1. Remove ordinary deposits of dirt and grease with soap and water. Whenever possible, the metal should be thoroughly rinsed and dried after washing.
2. Use stainless steel polishing powder to get rid of tightly adhering deposits.
3. Look for the source of the rust in some iron or steel not actually a part of the stainless steel structure. Sometimes the appearance of rust streaks on stainless steel leads to the belief that the stainless steel is rusting. A steel nail or screw may be the cause of the trouble.
4. If the showerhead delivers an uneven spray, remove the showerhead from the unit, disassemble, and remove foreign matter.
5. Reassemble showerhead and reinstall into unit.