



# ABP-1PA Ablution Panel Modular Hand/Foot Washing System



Signed approvals are required prior to fabrication.  
Non-cancelable, non-returnable.

- Modules Factory Assembled and Hydrostatically Tested to 150 PSI
- Custom Built to Room Dimensions

## Specifications

### Materials

Ablution Panel fabricated of 16 gauge type 304 stainless steel polished to a #4 finish. Interior piping is type "L" copper with silver soldered joints.

## Standard Equipment

### Valve Type as Selected

For more information on each valve type, please enter the model number in the search box at [www.bradleycorp.com](http://www.bradleycorp.com).

### Wash Spout

Stainless steel Ablution spout or chrome-plated severe service head options with anti-splash 0.5GPM (1.9LPM), 1.0GPM (3.8LPM) or 1.5GPM (5.68LPM) flow.

### Hardware

Ablution panel includes cage-nut fastening devices (wall anchors/fasteners supplied by others). Hangars, access panels, corner sections, end caps, and vandal-resistant fasteners are standard.

### ABL Spout Quick Connect

Plastic tubing to connect valving to spout.

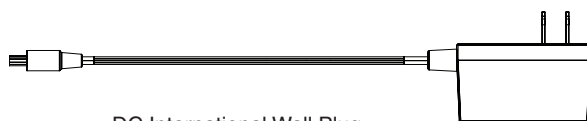
## Optional Equipment

### Grab Bar

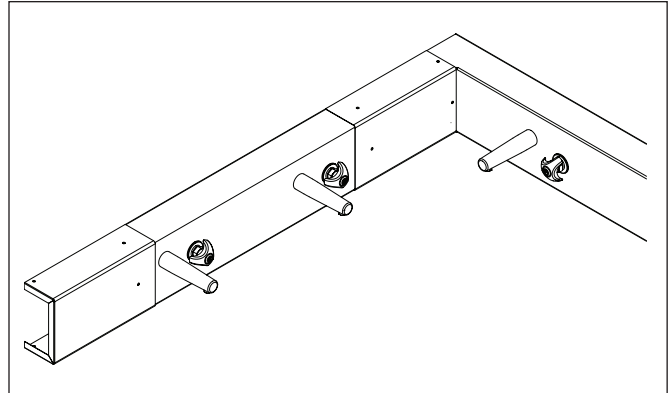
For added safety and support for users.

### DC International Wall Plug

Low-voltage UL/CSA listed 120V/12VDC plug-in adapter required with TouchTime pushbutton and TouchTime piezo switch valves.



DC International Wall Plug  
261-147A



## Required Selections

Number of Showerheads (enter number): \_\_\_\_\_ Showerheads

### Valve Type (select one):

- AST** Air Pushbutton
- SV** Single Compression Valve (Default)
- TTPA** TouchTime® Pushbutton\*
- TTPB** TouchTime® Piezo Switch\*

### Supply Stop Type (select one):

- ST** Supply Stops
- NONE** No Supply Stops

### Spout Type (select one):

- PSG05** Ablution Spout Satin Finish (Flow Rate=0.5 GPM/1.9 LPM)
- PSG10** Ablution Spout Satin Finish (Flow Rate=1.0 GPM/3.8 LPM)
- HPSG05** Ablution Spout High Polish Finish (Flow Rate=0.5 GPM/1.9 LPM)
- HPSG10** Ablution Spout High Polish Finish (Flow Rate=1.0 GPM/3.8 LPM)
- SXABL** Ablution Severe Service Spout (Flow Rate=1.5 GPM/5.68LPM)

### Quick Connect Kit (select one):

- ABLQC** ABL Spout Quick Connect Kit

### Grab Bar Type (select one):

- G18ABL** 18" Security Grab Bar
- G24ABL** 24" Security Grab Bar
- NONE** No Grab Bar

### Wall Plug Type (select one):

- DCP** DC International Wall Plug\*
- NONE** No Wall Plug

\*TTPA and TTPB valves require a low-voltage UL/CSA listed 120VAC/12VDC plug-in adapter.



Minimum inlet flowing pressure of 20 PSI required at each valve inlet for proper operation.



# ABP-1PA Ablution Panel Modular Hand/Foot Washing System

