



## Specifications

### Materials

All exposed materials are stainless steel or chrome-plated brass. Valve bodies are cast brass.

## Standard Equipment

### In-Wall Valves as Selected

For more information on each valve type, please enter the model number in the search box at [www.bradleycorp.com](http://www.bradleycorp.com).

### Wash Spouts

Stainless steel Ablution spout or chrome-plated severe service head options with anti-splash 0.5GPM (1.9LPM), 1.0GPM (3.8LPM) or 1.5GPM (5.68LPM) flow.

### Supply Inlets

Female supply inlets are 1/2" NPT for SV option. All other connections 3/8" O.D. or 5/8" O.D.

### ABL Spout Quick Connect

Plastic tubing to connect valving to spout.

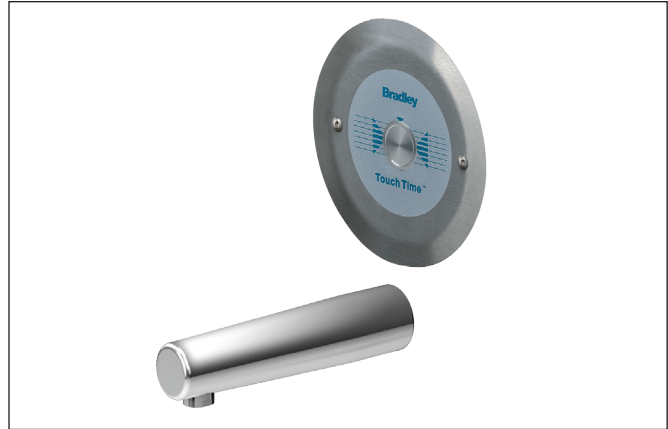
## Optional Equipment

### Grab Bar

For added safety and support for users.

### DC International Wall Plug

Low-voltage UL/CSA listed 120V/12VDC wall plug-in adapter required with TouchTime pushbutton and TouchTime piezo switch.



## Required Selections

### Mounting Type (select one):

- RRM** Rear Mount (Chase Available) (Default)
- FRT** Front Mount (No Chase Available)

### Valve Type (select one):

- AST** Air Pushbutton
- SV** Single Compression Valve (Default)
- TTPA** TouchTime® Pushbutton\*
- TTPB** TouchTime® Piezo Switch\*

### Supply Stop Type (select one):

- ST** Supply Stops
- NONE** No Supply Stops

### Spout Type (select one):

- PSG05** Ablution Spout Satin Finish (Flow Rate=0.5 GPM/1.9 LPM)
- PSG10** Ablution Spout Satin Finish (Flow Rate=1.0 GPM/3.8 LPM)
- HPSG05** Ablution Spout High Polish Finish (Flow Rate=0.5 GPM/1.9 LPM)
- HPSG10** Ablution Spout High Polish Finish (Flow Rate=1.0 GPM/3.8 LPM)
- SXABL** Ablution Severe Service Spout (Flow Rate=1.5 GPM/5.68LPM)

### Mounting Bracket Type (select one):\*\*

- CBABL-1** Rear Accessible Mounting Bracket (Use with PSG05, PSG10, HPSG05 and HSPG10)
- CBABL-2** Rear Accessible Mounting Bracket (Use with SXABL Spout)
- NONE** No Mounting Bracket

### Quick Connect Kit (select one):

- ABLQC** ABL Spout Quick Connect Kit

### Grab Bar Type (select one):

- G18ABL** 18" Security Grab Bar
- G24ABL** 24" Security Grab Bar
- NONE** No Grab Bar

### Wall Plug Type (select one):

- DCP** DC International Wall Plug\*
- NONE** No Wall Plug

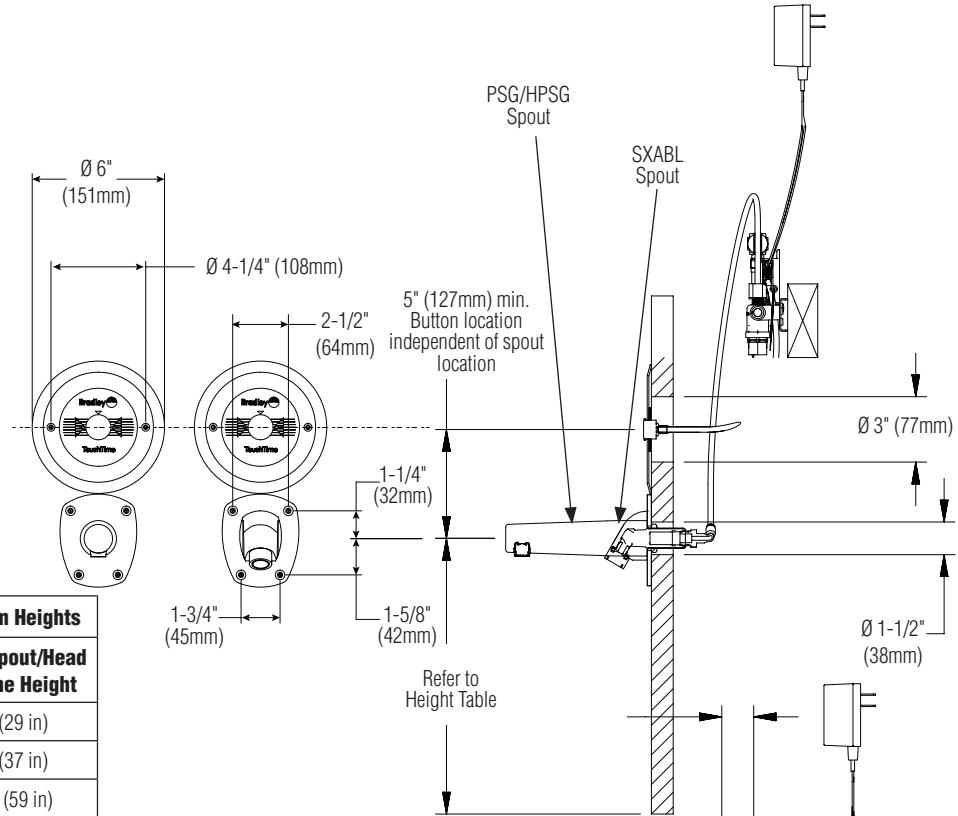
\*TTPA and TTPB valves require a low-voltage UL/CSA listed 120VAC/12VDC plug-in adapter.

\*\*Only available with RRM mounting type.



# ABP-1C Built-in Hand/Foot Washing System

## Front Mount System



Recommended Ablution System Heights	
Ablution Types	Floor to Spout/Head Centerline Height
Ablution w/ seat *	74cm (29 in)
Ablution w/ lavatory *	94cm (37 in)
Ablution no seat	150cm (59 in)

\* Bradley does not supply seat or lavatory.

## Rear Mount System

