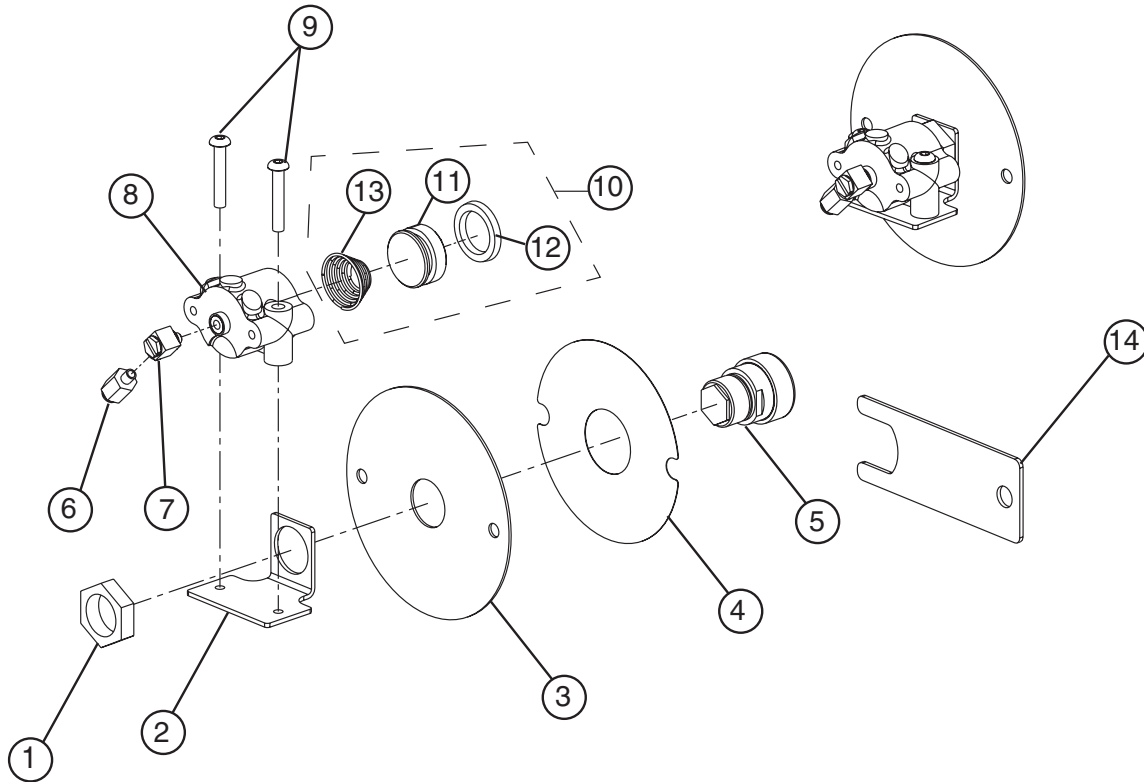


Pushbutton Air Valve Repair Parts



Parts List

Item	Part No.	Description	Pushbutton Assembly S45-2842	Repair Kit S65-223A
			Qty	
1	110-115	Hex Nut 1/2 NPSM	1	
2	140-743	Actuator Bracket	1	
3	159-400	Mounting Plate	1	
4	204-501	Decal — Air Valve	1	
5	S08-324	Pushbutton Assembly	1	
6	169-890	1/8 Tube Connector	1	1
7	269-1186	Fitting — Adj. "L"	1	1
8	118-279	Molded Actuator Body	1	1
9	160-165	Screw	2	2
10	S45-2350	Prepack - AST4 Piston Assembly Kit	1	1
11	*	Molded Piston	1	1
12	*	U-Cup	1	1
13	*	Spring	1	1
14	130-023	Wrench		1
	S45-125	Lubricant		1

* Included with S45-2350 Prepack (Item 10)

NOTE: Lubricate "U" cup (Item 12) on plunger with lubricant (S45-125). Apply thin coat all around I.D. - 1" deep. Do not use spray silicone or petroleum based lubricants on components.