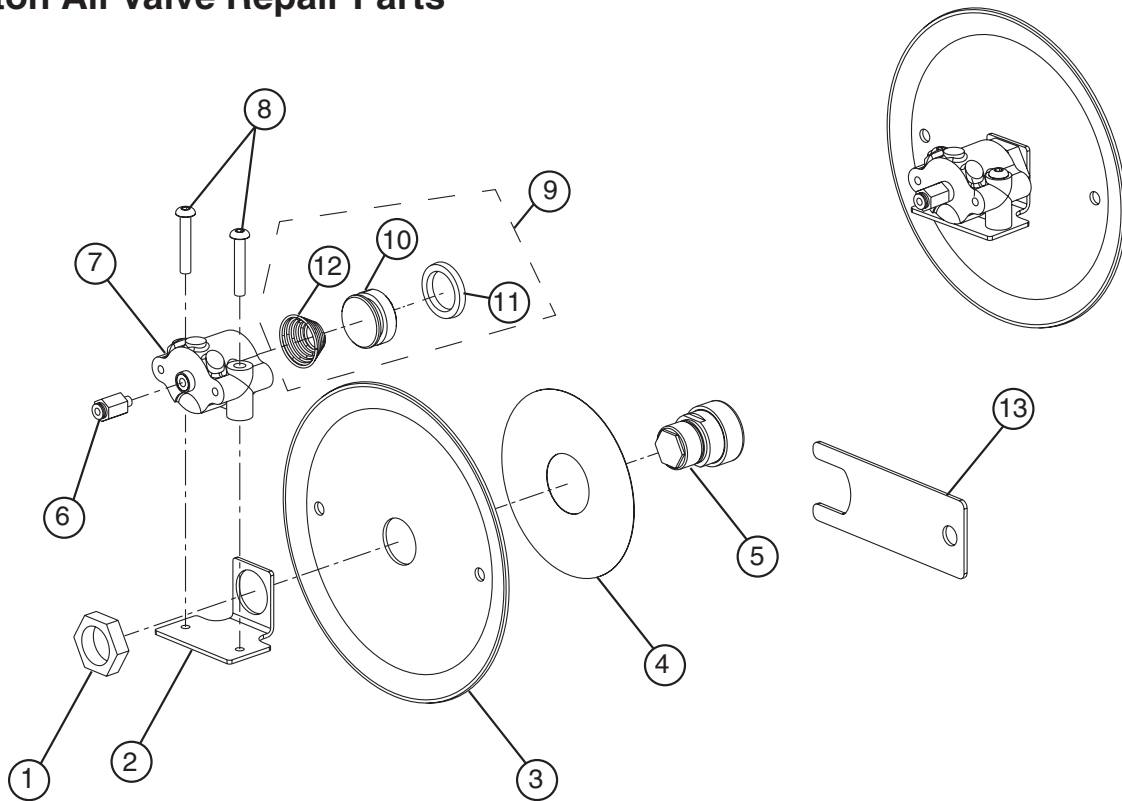


Pushbutton Air Valve Repair Parts



Parts List

| Item | Part No. | Description | Pushbutton Assembly S45-2843 | Repair Kit S65-224A |
|------|----------|------------------------------------|---------------------------------|---------------------|
| | | | Qty | |
| 1 | 110-115 | Hex Nut 1/2 NPSM | 1 | |
| 2 | 140-743 | Actuator Bracket | 1 | |
| 3 | 159-354 | Mounting Plate | 1 | |
| 4 | 204-501A | Decal — Air Valve | 1 | |
| 5 | S08-324 | Pushbutton Assembly | 1 | |
| 6 | 169-890 | 1/8 Tube Connector | 1 | 1 |
| 7 | 118-279 | Molded Acuator Body | 1 | 1 |
| 8 | 160-165 | Screw | 2 | 2 |
| 9 | S45-2350 | Prepack - AST4 Piston Assembly Kit | 1 | 1 |
| 10 | * | Molded Piston | 1 | 1 |
| 11 | * | U-Cup | 1 | 1 |
| 12 | * | Spring | 1 | 1 |
| 13 | 130-023 | Wrench | | 1 |
| | S45-125 | Lubricant | | 1 |

* Included with S45-2350 Prepack (Item 9)

NOTE: Lubricate "U" cup (Item 11) on plunger with lubricant (S45-125). Apply thin coat all around I.D. - 1" deep. Do not use spray silicone or petroleum based lubricants on components.