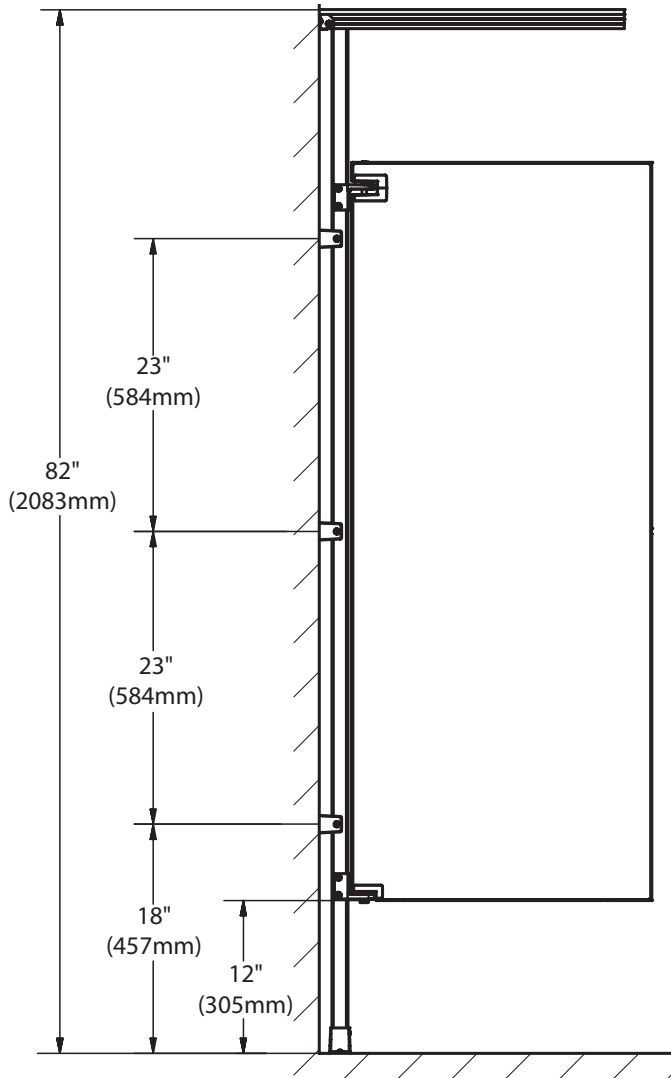


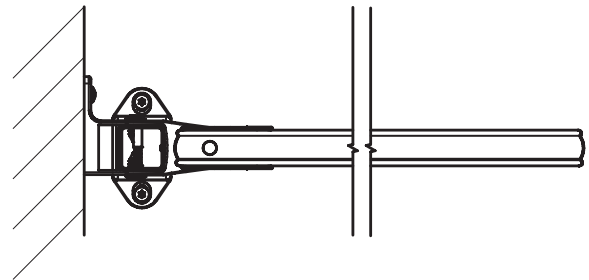
Powder Coated Restroom Partitions

Installation

1-1/4" Floor-Mounted Overhead-Braced Post Installation

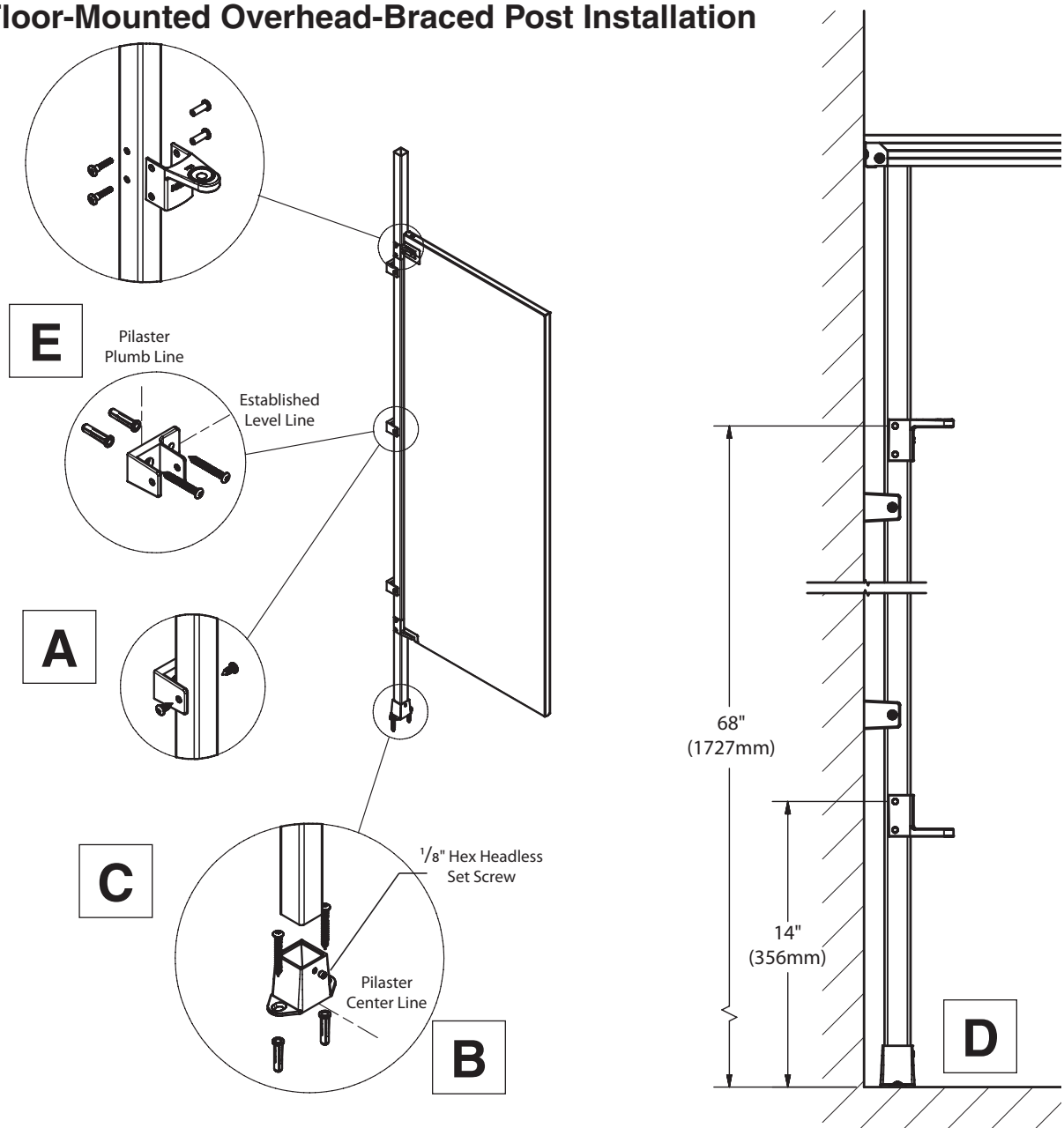


When installing the partition components, consult the applicable Mills Partition submittal drawing and standard installations for compartment layout dimensions, locating brackets, and door mounting.



Standard Mounting Detail
(Headrail Removed For Clarity)

1-1/4" Floor-Mounted Overhead-Braced Post Installation



A Place the center of the stirrup bracket at the established level line. Center the bracket opening on the plumb line.
Using the bracket as a template, mark the hole locations on the wall. Remove the bracket and drill a $\frac{5}{16}$ " dia hole (min 2" deep) at each hole location.
Insert the plastic anchors in all holes and secure the brackets with the #14 x 2" screws provided.

B Refer to your submittal drawing to determine placement of the shoe on the pilaster centerline. Use the shoe as a template to mark the hole locations.
Drill $\frac{5}{16}$ " dia holes in the floor and ensure the holes are free of dirt and debris.
Insert pilaster anchors into the holes and secure the shoe with the #14 x 2" screws provided.

C Place the post into the shoe and wall mounting brackets. Ensure the post is plumb, using the brackets as a template drill $\frac{3}{16}$ " dia holes at each hole location. Attach with #14 x $\frac{5}{8}$ " screws provided.

D Measure up 14"(356mm) and 68"(1727mm) from floor and mark a level line. This line represents the upper hole location of the top and bottom hinge.

E Place hinge tight against the post face and align the top hinge hole with the established level line. Using the hinge as a template, drill $\frac{1}{4}$ " dia holes through the post. Secure the top and bottom hinge to the post with 10-24 x 1" shoulder screws and 10-24 x $\frac{3}{4}$ " barrel nuts provided.