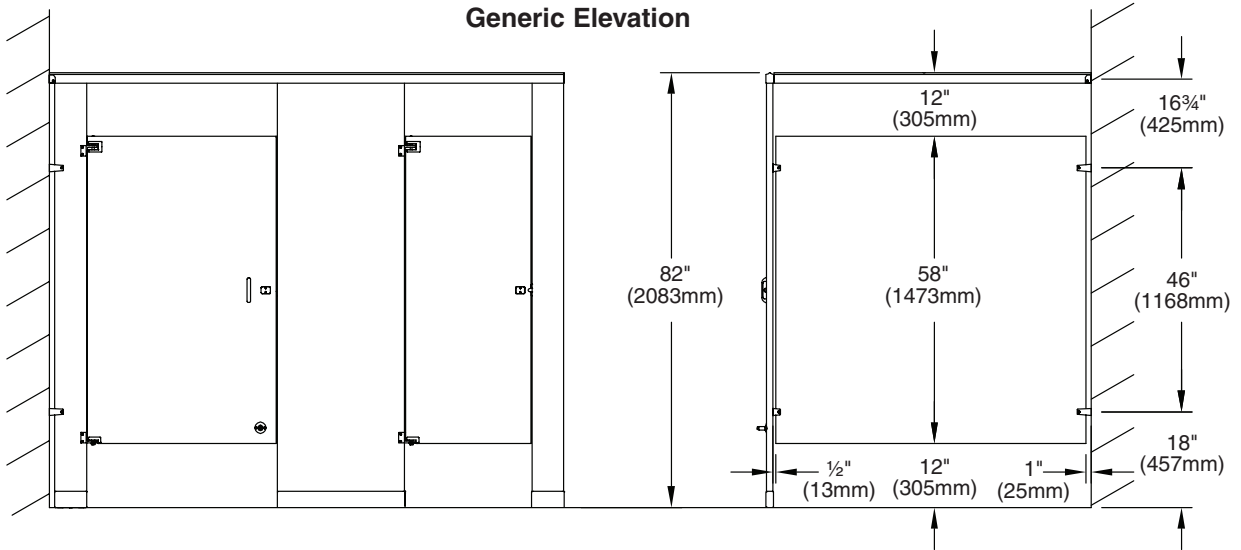


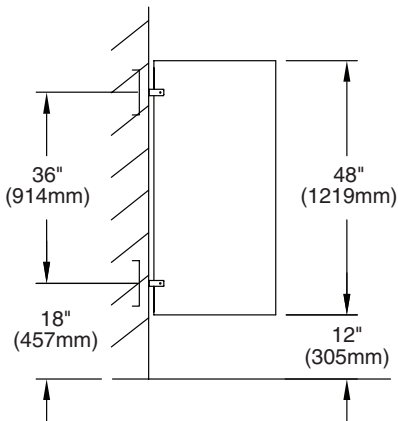
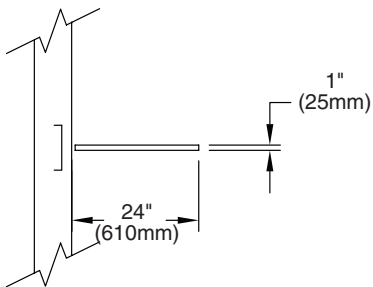
Installation

Headrail Return Over End Panels Only



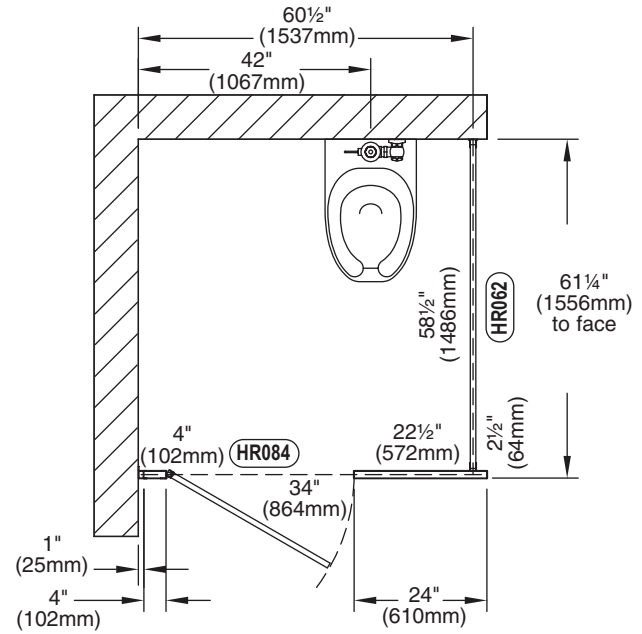
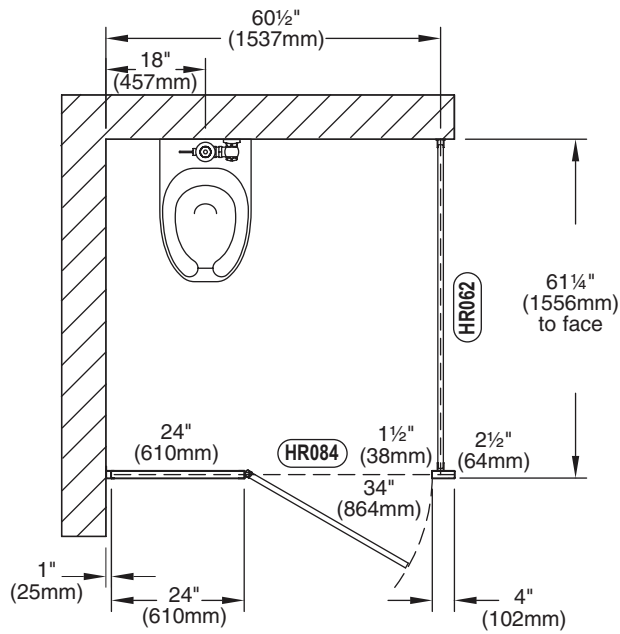
Floor Mounted Overhead Braced
(In-Corner, Two Compartment Shown)

Model 4 Screen

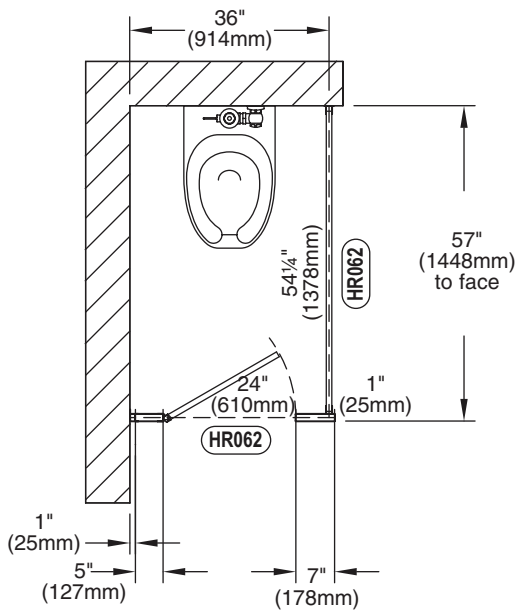


Contractor to provide 2" x 6" wood blocking or steel stud within all stud walls located at dimensions shown on room plans and elevations.

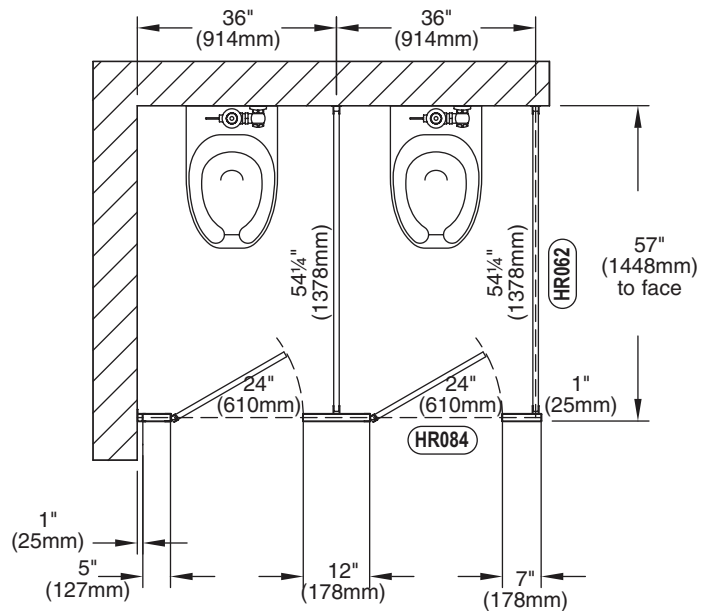
In-Corner Layout Configurations *continued*...



ICADA-SS, ICADA-AL, ICADA-WGR



IC136-S S, IC136-AL, IC136-WGR



IC236-SS, IC236-AL, IC236-WGR