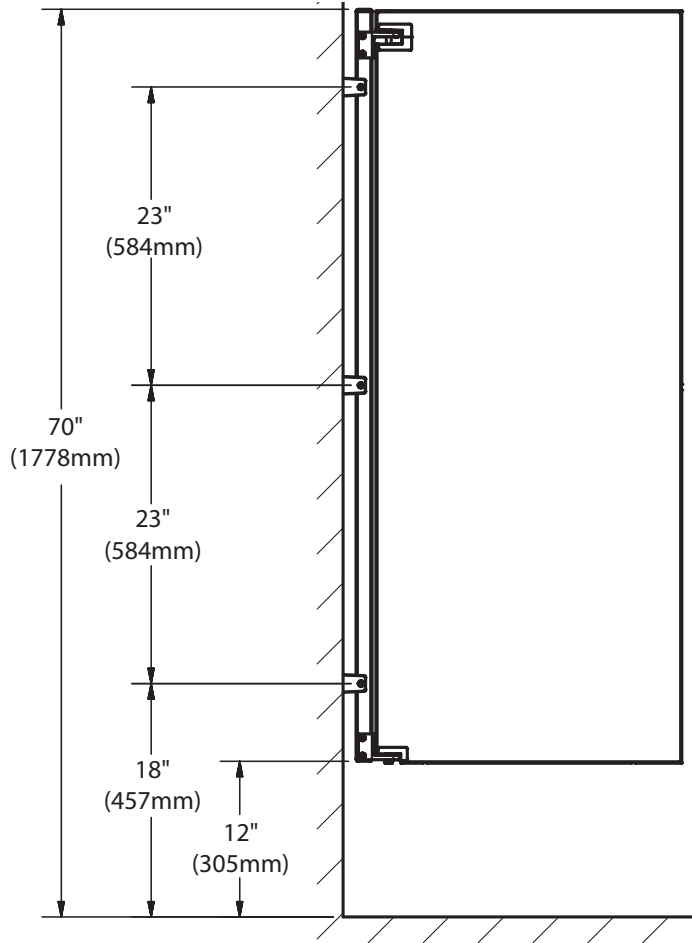
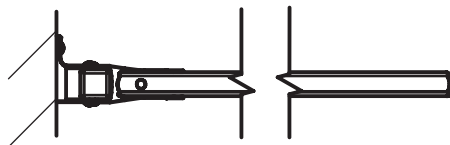


Installation

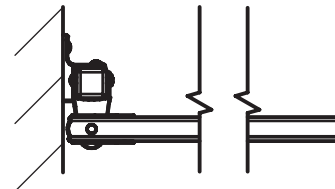
1-1/4" Wall Front Post Installation



When installing the partition components, consult the applicable Mills Partition submittal drawing and standard installations for compartment layout dimensions, locating brackets, and door mounting.

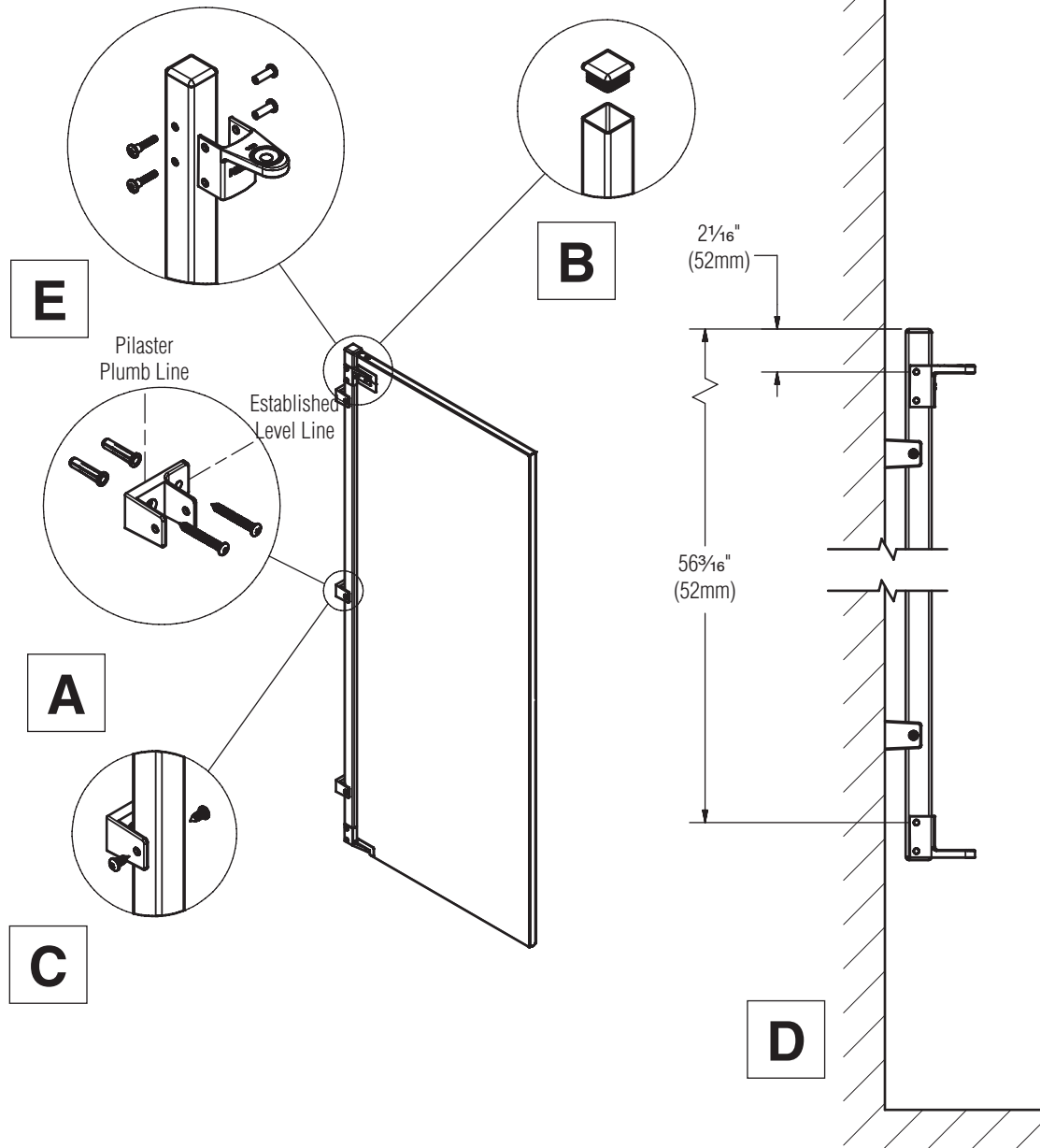


Standard Mounting Detail



Optional Mounting Detail

1-1/4" Wall Front Post Installation



A Place the center of the stirrup bracket at the established level line. Center the bracket opening on the plumb line. Using the bracket as a template, mark the hole locations on the wall. Remove the bracket and drill a $5/16$ " dia hole (min 2" deep) at each hole location. Insert the plastic anchors in all holes and secure the brackets with the #14 x 2" screws provided.

B Attach end caps to both ends of post

C Place the post into the wall mounting brackets. Refer to the Mills submittal drawing to locate the gap at wall dimension. Ensure the post is plumb, using the brackets as a template drill $3/16$ " dia holes at each hole location. Attach with #14 x $5/8$ " screws provided.

D Measure down $2 \frac{1}{16}$ " (52mm) and $56 \frac{3}{16}$ " (1427mm) from the top of the post (end caps must be attached) and mark a level line. This line represents the upper hole location of the top and bottom hinge.

E Place hinge tight against the post face and align the top hinge hole with the established level line. Using the hinge as a template, drill $1/4$ " dia holes through the post. Secure the top and bottom hinge to the post with 10-24 x 1" shoulder screws and 10-24 x $3/4$ " barrel nuts provided.