



S19361 - Pre-Assembled Safety Shower Heater Skid Tankless Water Heating Safety Solutions

- Pre-assembled safety fixture and SNA heater skid system
- Halo™ Eye/Face Wash and SpinTec™ Drench Shower
- 54 - 144 kW (491,300 BTUs)
- Molded Duragrate® and integrated shower pan
- Temperature overshoot purge system
- NEMA 4 enclosure standard
- AL3 building communication alarm included
- Dual Flow Heater Activation (Eye/Face Wash and/or Shower)
- Internal fusing (included) adds safety and permits single power connection
- Controller-locked temperature setting, output fixed at 80°F (27°C)
- Meets ANSI Z358.1 standards
- Emergency stop button and door cutoff switch

Standard Heater Equipment

Tankless Water Heating Specifications

Keltech, Inc. SNA Safety Shower Heaters provide warm water intended to supply safety fixtures. The heaters uniquely perform in applications with low line pressure, while still accommodating ANSI standard flow rates. The durable components withstand higher pressures which result in longer service life, while ensuring the delivery of precise output temperature. Keltech's durable components withstand power abnormalities found in industrial environments and ensure tepid water standards are never exceeded (100°F) with its three-tier anti-scald protection and hot water purge. SNA-Series units are also suited to applications with 3 Phase Delta 480V or 600V, 50/60 Hz. The heat exchanger features o-ring seals that out last typical gasket construction. 1-1/4" NPT female inlet and outlet connections.

Construction Skid

Skid option includes skid and pre-piped assemblies with 1-1/4" inlet, pre-piped pressure and temperature relief valve and piping connecting the heater to the safety shower and eye/face wash combination unit. Skid is #10 gauge electro galvanized sheet steel frame, powder painted "safety yellow." Square molded Duragrate fiberglass (1" x 1-1/2" x 1-1/2") grating with grit top, covers the integrated shower pan. 3" PVC drain pipe included.

Temperature Controller

Keltech's PID Temperature Controller is more energy efficient and reliable than traditional microprocessors using staged elements. Power is infinitely variable, with no fixed inputs. The PID controller makes it possible to modulate the amount of power applied to the elements while also dispersing the required power evenly across all elements. This unique feature increases the product's life cycle.

Heating Element

Each heater features a heavy duty, low watt density, Incoloy® 800 sheathed resistive element. The Keltech design ensures greater protection, durability and resistance to scaling from hard water because water is only heated when flowing; this means sediment will not collect in the heat exchanger.

Solid State Relays

The liquid cooled solid state relays provide silent switching, which has a fast response and works in conjunction with the PID controller to infinitely modulate and add to the life of the heater.

Electrical

The SNA-Series requires only one service feed per unit. Includes internal fusing as standard. Internal fusing provides superior protection so the incoming circuit can be higher than 48 amps (NEC). Keltech protects each heating element with fusing.

Cabinet Enclosure

The skid-mounted cabinet enclosure is NEMA 4 rated and made from 14 gauge mild steel and powder coated with ANSI 61 gray, corrosion resistant paint. The optional NEMA 4X enclosures are corrosion resistant for harsher environments and made from 16 gauge 304 stainless steel. The NEMA 4X enclosure can also be specified with 316 stainless steel. Additional service access panel located on top of cabinet enclosure.

Page 1 of 7

11/29/2017

This information is subject to change without notice.

Bradley_Keltech_S19361



Independent Safeties

Heater has three-tier anti-scald protection and TepidGuard™ hot water evacuation (overshoot purge protection). The controller alarm sends a signal to disconnect power to the elements if the temperature reaches 90°F (32°C). The internal thermostat with auto reset high limit switch ensures that when the temperature limit is reached, the unit will power down a bank of elements; when the temperature returns to the set point, power is restored. The surface mounted bi-metal thermostat with manual reset acts as a fail-safe and must be manually reset before power can be restored to the elements if the temperature limit is exceeded.

TepidGuard™ is an anti-scald feature, standard on all SNA-Series Safety Shower Heaters. This overshoot purge will automatically open and purge excess temperature water. This feature actively monitors temperature within the heater while operational. It also passively monitors water temperature while the heater is inactive. This is beneficial for outdoor installations where sun and weather can cause water temperature to exceed ANSI standards.

Temperature Safety Values:

Internal thermostat with auto reset high limit switch: 95°F (35°C)

Surface mounted bi-metal thermostat with manual reset: 100°F (38°C)

Overshoot purge: 95°F (35°C)

Dual Flow Activation

Keltech Safety Shower heaters have a dual flow activation. The low flow activation is used with eyewashes, eye/face washes, and drench hoses. The high flow activation is for safety shower usage. This allows just the right capacity of heated water to be used for each application. Heater operating range is 30 - 150 psi.

Standard Safety Fixture Equipment

Drench Shower mounted to skid, provides a superior washdown with a more even spray pattern. Halo eye/face wash, operated by an ergonomic, highly visible push handle, provides effective wash down coverage and spray pattern. Integral strainer reduces debris in the water and also prevents clogging.

SpinTec Showerhead

Standard showerhead is 3.1" (78.7mm) diameter highly visible yellow impact-resistant plastic. High performance Type 304 corrosion resistant stainless steel showerhead measures 1-1/2" (38mm) in diameter. SpinTec drench shower's head features integral 22 GPM (83.3 L) flow control (exceeds minimum water flow of 20 GPM (75.7 L) at 30 psi (2.0 bar)), conserving water, allowing you to accurately size your S19361 skid system.

Protected by one or more of the following patents: 7,007,316 B2; 7,243,381 B2.

© 2017 Bradley

P.O. Box 309, Menomonee Falls, WI 53052-0309

800 BRADLEY (800 272 3539) +1 262 251 6000

bradleycorp.com



S19361 - Pre-Assembled Safety Shower Heater Skid Tankless Water Heating Safety Solutions

Eye/Face Wash

The Halo eye/face wash system offers a high performance rinsing platform that provides rapid relief to an individual's eyes and face when exposed to chemicals or particulate. This system provides the most complete face wash available on the market.

The eye/face wash includes an integral 5.1 GPM (19.2 L) flow control, providing water at a safe velocity while maintaining its effectiveness (exceeds minimum water flow of 3.0 GPM (11.4 L) at 30 PSI (2.0 bar)). The eye/face wash is protected by flip open dust covers or by a full bowl dust cover that activates the product when opened. Safe, steady water flow under varying water supply conditions from 30-90 PSI (2.0-6.1 bar) is assured by integral flow control in sprayhead assembly. Sprayheads are made from an impact resistant ABS plastic or from durable 304 stainless steel with electropolished finish.

Halo™ is covered by one or more of the following patents: 9,700,484; 9,314,398; D662220; D673298; D662605; D685920; D662219; and D671228. Other patents pending.

Bowl and Dust Cover

Bowl is constructed of yellow impact-resistant plastic or Type 304 corrosion-resistant stainless steel. Optional dust cover is constructed of transparent yellow impact-resistant plastic or Type 304 corrosion-resistant stainless steel.

Heater Product Options

Fused Disconnect

Internal fused disconnect interlocks with enclosure door when energized, prohibiting access to a live cabinet. Select the FDS option for an additional level of safety and convenience at the heater location. Not available with SNA-723/600D.

Alarm Selections

Keltech offers two levels of building communication alarm options. The AL3 option come standard on the S19361 and provides dry contacts that open to signal flow >1.5 gpm has activated the heater. The AL3-SL option provides these dry contacts and additionally activates a local audible and visual alarm on the heater. Alarms activate at 1.5 gpm flow or greater.

Ground Fault

Optional equipment protection ground fault senses leakage current to ground >1 Amp. In the event a fault is detected, this device will terminate the high voltage power supply to heating elements and disable operation of the unit. Fault status is communicated EXTERNALLY at the control interface. Personnel may also test the Ground Fault system and reset any nuisance trips without opening the cabinet.

Continuous Flow Explosion Proof Purge System

Keltech's EXP2CFPM option makes heaters compliant for classified areas; Class 1, Division 2, Groups A-D, T5. The Purge System requires a supply of clean instrument air or inert gas (provided by installer). This supply maintains a positive internal pressure and prevents the enclosure from filling with flammable gasses, dusts or vapors from the ambient environment. In addition to manufacturer certifications on the purge system, Keltech independently tests and 3rd party certifies all finished product with EXP2CFPM to comply with NFPA 496.

ASME Heat Exchanger

Keltech offers any product above 200,000 btu equivalent (58kw+) the option to be fitted with internal plumbing certified to Section IV of the ASME Boiler and Pressure Vessel Code - an industry exclusive certification. HLW certification represents not only an approved design and method of construction, but an intensively audited construction and documentation process that concludes with a pressure test witnessed by an ASME official. Upon completion of this process, each heat exchanger is issued a unique serial number for registration in the National Board. This information is supplied with the unit via Form "HLW-6 Manufacturer Data Report" for verification and reference by local inspection officials. The HLW options also include additional features such as dry-fire protection, an auto bleed valve, stainless steel bulkheads and boiler drain valves, adding an extra level of quality and durability to Keltech heaters.

Other Product Options

For additional heater options and installation accessories, reference the appropriate section at the end of this document.

Heater Code Compliance and Certifications



Lead-Free

Products marked with the Lead-Free logo comply with the Safe Drinking Water Act (SDWA) requirements of a weighted average of less than 0.25% lead content on wetted surfaces of pipes, pipe fittings, plumbing fittings, and fixtures.



ETL listed to UL499

ETL listed to UL 50E

ETL listed to NFPA 496 (Requires EXP2CFPM Option)

cETL listed to CSA-C22.2 No. 88



Standard product selections contained within this document are third party CERTIFIED to NSF/ANSI 372 meeting the Lead-Free content requirement. Any product configured with custom options will be COMPLIANT with NSF/ANSI 372 meeting the Lead-Free content requirement.



ASME Certification available. Keltech units 58kW (200,000 btu) and higher are the only electric tankless water heaters National Board certified with the HLW stamp (Requires HLW Option).

Safety Shower Code Compliance and Certifications





S19361 - Pre-Assembled Safety Shower Heater Skid Tankless Water Heating Safety Solutions

Electrical Specifications for the Heater (3-Phase)



All internal fuses necessary for installation are included with the unit.

Capacity (kW)	Voltage	Maximum Amperage	Minimum AWG Wire Size
54	480	65	4
54	600	52	6
63	480	76	4
63	600	61	4
72	480	87	3
72	600	69	4
108	480	132	1
108	600	104	2
126	480	152	1/0
126	600	121	1
144	480	174	2/0
144	600	139	1/0

S19361 Series Pressure Drop Advantage

GPM	1.5	2	3	4	5	6	8	10	15	20	25	30	35	40	45	50
36-63 kW PSI	0.0	0.0	0.1	0.2	0.2	0.3	0.6	0.9	2.0	3.6	5.5	7.9	10.8	14.0	17.6	21.7
72-144 kW PSI	0.0	0.0	0.1	0.2	0.3	0.4	0.8	1.2	2.6	4.7	7.3	10.4	14.2	18.5	23.3	28.7
L-MIN	5.7	7.6	11.3	15.1	18.9	22.7	30.2	37.8	56.7	75.6	94.5	113.4	132.5	151.2	170.1	189
36-63 kW BAR	0.0	0.0	0.0	0.0	0.0	0.0	0.0	0.1	0.1	0.2	0.4	0.5	0.7	1.0	1.2	1.5
72-144 kW BAR	0.0	0.0	0.0	0.0	0.0	0.0	0.1	0.1	0.2	0.3	0.5	0.7	1.0	1.3	1.6	2.0

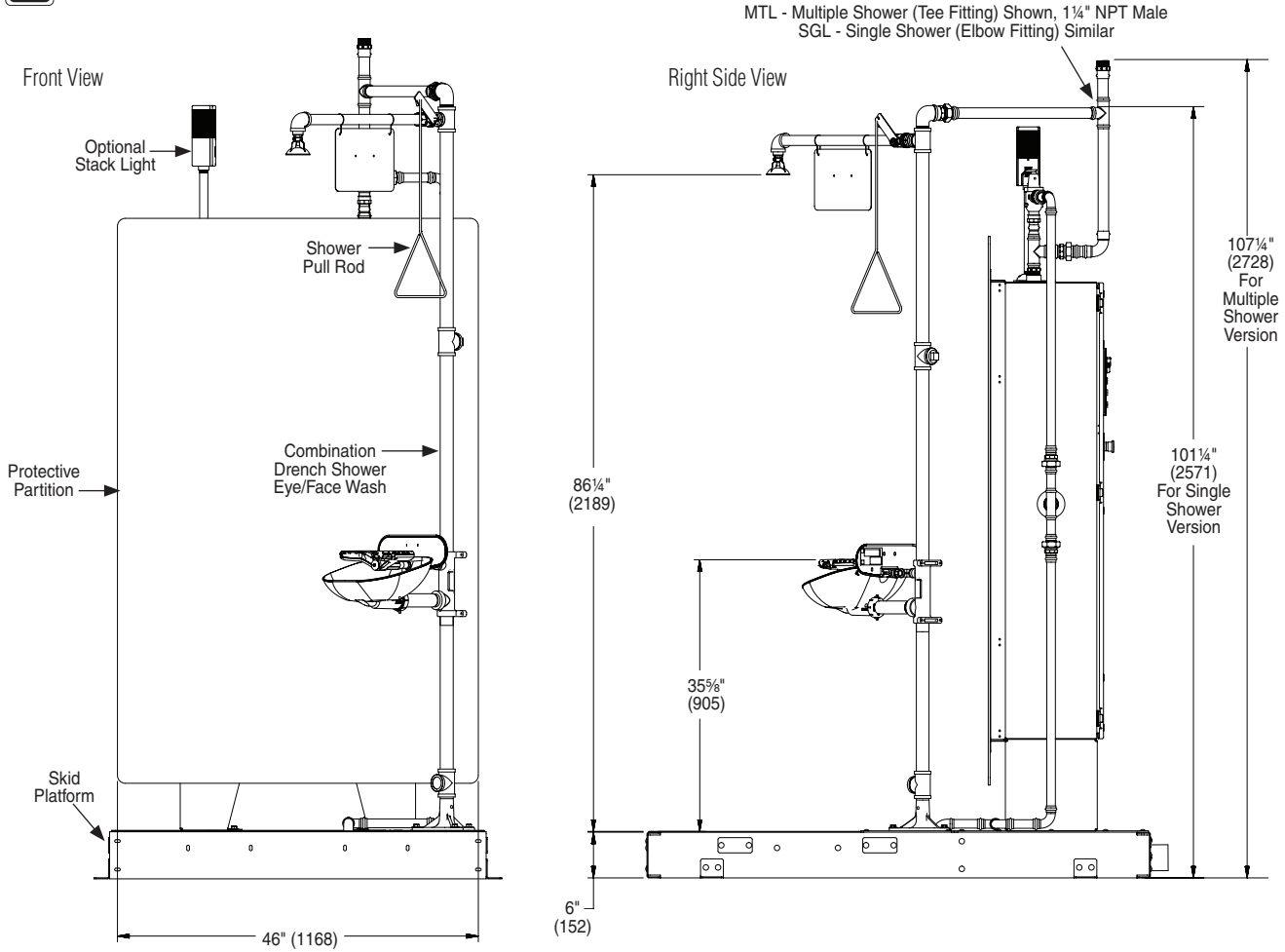


S19361 - Pre-Assembled Safety Shower Heater Skid Tankless Water Heating Safety Solutions

S19361 Series - Dimensions

(mm)

Select product options shown. Other options available.



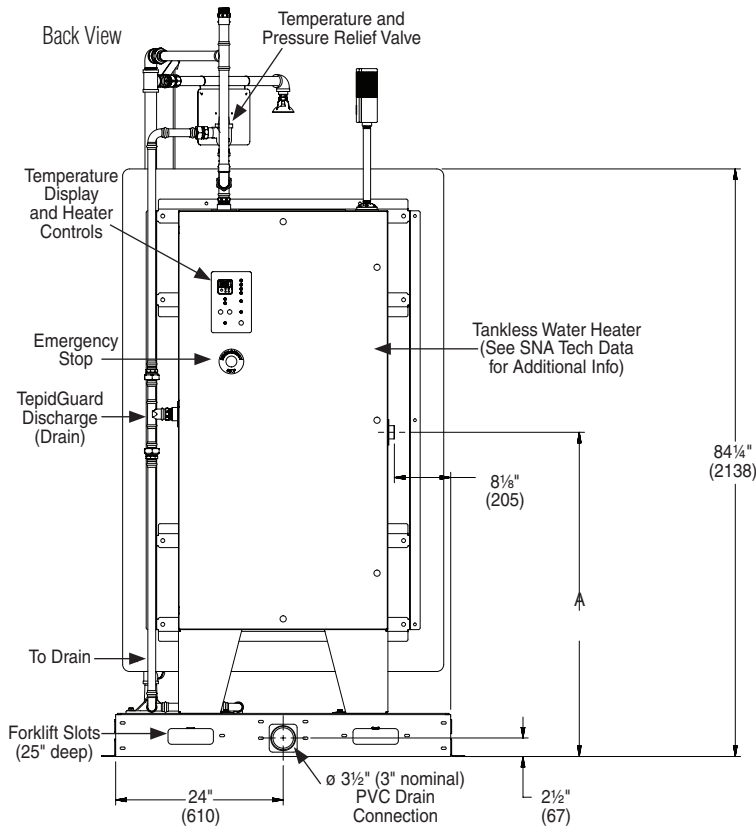


S19361 - Pre-Assembled Safety Shower Heater Skid Tankless Water Heating Safety Solutions

S19361 Series - Dimensions

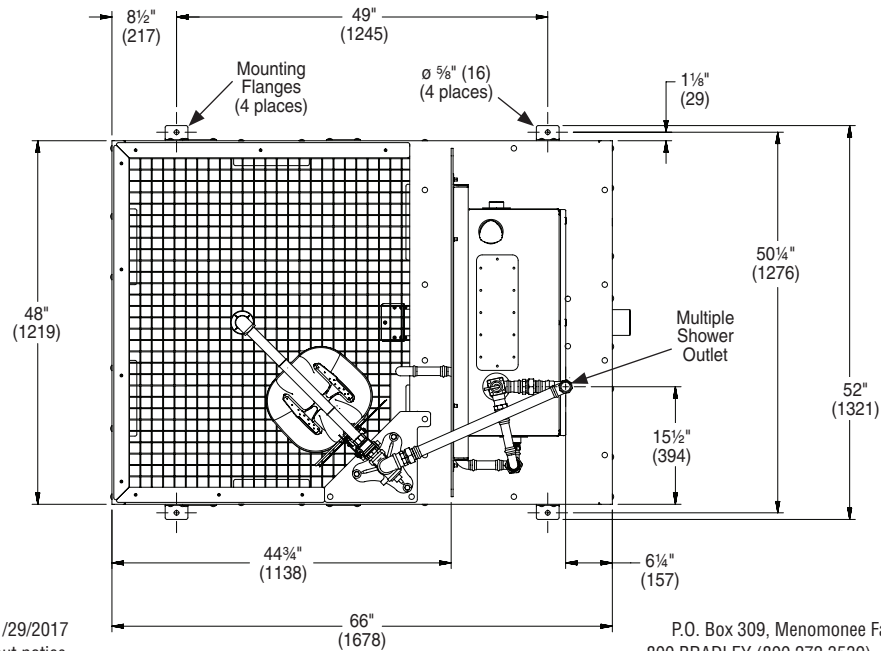
(mm)

Select product options shown. Other options available.



Dim. "A"	
54kW	34-1/2" (876)
63kW	46-1/2" (1180)
72kW	34-1/2" (876)
108kW	34-1/2" (876)
126kW	46-1/2" (1180)
144kW	46-1/2" (1180)

Top View





S19361 - Pre-Assembled Safety Shower Heater Skid Tankless Water Heating Safety Solutions

kW Calculator

SNA-Series (kW): 54, 63, 72, 108, 126, 144

		Temperature $\Delta^{\circ}\text{F}$ ($^{\circ}\text{C}$)																											
		10° (6°)	15° (8°)	20° (11°)	25° (14°)	30° (17°)	35° (19°)	40° (22°)	45° (25°)	50° (28°)	55° (31°)	60° (33°)	65° (36°)	70° (39°)	75° (42°)	80° (44°)	85° (47°)	90° (50°)	95° (53°)	100° (56°)	105° (58°)	110° (61°)	115° (64°)	120° (67°)	125° (69°)	130° (72°)	135° (75°)	140° (78°)	
Flow	GPM L-MIN	2 7.6	54	54	54	54	54	54	54	54	54	54	54	54	54	54	54	54	54	54	54	54	54	54	54	54	54	54	
	3 11.3	54	54	54	54	54	54	54	54	54	54	54	54	54	54	54	54	54	54	54	54	54	54	54	54	54	54	54	
	4 15.1	54	54	54	54	54	54	54	54	54	54	54	54	54	54	54	54	54	54	54	54	54	54	54	54	54	54	54	
	5 18.9	54	54	54	54	54	54	54	54	54	54	54	54	54	54	54	54	54	54	54	54	54	54	54	54	54	54	54	
	6 22.7	54	54	54	54	54	54	54	54	54	54	54	54	54	54	54	54	54	54	54	54	54	54	54	54	54	54	54	
	7 26.5	54	54	54	54	54	54	54	54	54	54	54	54	54	54	54	54	54	54	54	54	54	54	54	54	54	54	54	
	8 30.2	54	54	54	54	54	54	54	54	54	54	54	54	54	54	54	54	54	54	54	54	54	54	54	54	54	54	54	
	9 34.0	54	54	54	54	54	54	54	54	54	54	54	54	54	54	54	54	54	54	54	54	54	54	54	54	54	54	54	
	10 37.8	54	54	54	54	54	54	54	54	54	54	54	54	54	54	54	54	54	54	54	54	54	54	54	54	54	54	54	
	12 45.4	54	54	54	54	54	54	54	54	54	54	54	54	54	54	54	54	54	54	54	54	54	54	54	54	54	54	54	
	15 56.7	54	54	54	54	54	54	54	54	54	54	54	54	54	54	54	54	54	54	54	54	54	54	54	54	54	54	54	
	20 75.6	54	54	54	54	54	54	54	54	54	54	54	54	54	54	54	54	54	54	54	54	54	54	54	54	54	54	54	
	25 94.5	54	54	54	54	54	54	54	54	54	54	54	54	54	54	54	54	54	54	54	54	54	54	54	54	54	54	54	
	30 113.4	54	54	54	54	54	54	54	54	54	54	54	54	54	54	54	54	54	54	54	54	54	54	54	54	54	54	54	
	35 132.3	54	54	54	54	54	54	54	54	54	54	54	54	54	54	54	54	54	54	54	54	54	54	54	54	54	54	54	
	40 151.2	54	54	54	54	54	54	54	54	54	54	54	54	54	54	54	54	54	54	54	54	54	54	54	54	54	54	54	
45 170.1	54	54	54	54	54	54	54	54	54	54	54	54	54	54	54	54	54	54	54	54	54	54	54	54	54	54	54		
50 189.0	54	54	54	54	54	54	54	54	54	54	54	54	54	54	54	54	54	54	54	54	54	54	54	54	54	54	54		

ASME Certification Available

Sizing for the proper flow rate is important. If the temperature rise requirements exceed a single SNA model, consider using model SNA-SKID series units to supply tepid water to multiple emergency fixtures.. Please contact your Keltech Representative for additional product information.

How to Size a Heater

- Calculate Delta-T (ΔT).
Set point temp - coldest ground water temp = ΔT $\Delta T =$ _____
- Select kW required by using chart or formula below.
Peak demand in GPM x ΔT x .1465 = kW kW = _____
- Confirm voltage and phase available on site. Voltage and Phase = _____
- Confirm minimum flow. Minimum Flow = _____

Pre-Configured Safety Fixture Models - Combination Drench Shower and Halo Eye/Face Wash

Halo Model Number	Description
Eye-Face Wash	
<input type="checkbox"/> S19314FW	Halo Eye/face wash, plastic showerhead & bowl
Eye-Face Wash with Dust Cover	
<input type="checkbox"/> S19314PDCFW	Halo Eye/face wash, plastic showerhead & bowl w/ dust cover
Eye-Face Wash without Eyewash Bowl	
<input type="checkbox"/> S19314GG	Halo Eye/face wash, plastic showerhead, no bowl
All Stainless Steel Eye-Face Wash	
<input type="checkbox"/> S19314FSS	Halo stainless steel eye/face wash and showerhead
<input type="checkbox"/> S19314SC	Halo stainless steel eye/face wash, bowl, cover and showerhead



S19361 - Pre-Assembled Safety Shower Heater Skid Tankless Water Heating Safety Solutions

Heater Model	
<input checked="" type="checkbox"/> SNA SNA-Series - Safety Shower Heater with TepidGuard™ <input checked="" type="checkbox"/> SKID2 Safety skid and 1-1/4" pre-piped assemblies mounted to SNA Series Heater	
Standard Selections (Must select one from each category)	
Kilowatts	
<input type="checkbox"/> 54 54 kilowatts	<input type="checkbox"/> 108 108 kilowatts
<input type="checkbox"/> 63 63 kilowatts	<input type="checkbox"/> 126 126 kilowatts
<input type="checkbox"/> 72 72 kilowatts	<input type="checkbox"/> 144 144 kilowatts
AC Power Supply	
<input checked="" type="checkbox"/> 3 Three Phase	
Voltage	
<input type="checkbox"/> 480 480 Volts	<input type="checkbox"/> 380 380 Volts (down rated from 480V)
<input type="checkbox"/> 600 600 Volts	<input type="checkbox"/> 400 400 Volts (down rated from 480V)
	<input type="checkbox"/> 415 415 Volts (down rated from 480V)
System Controller	
<input checked="" type="checkbox"/> D Digital Control	
Shower Piping Option	
<input type="checkbox"/> MTL Multiple showers fed by heater (tee fitting)	
<input type="checkbox"/> SGL Single shower fed by heater (elbow fitting)	
Cabinet Enclosure	
<input type="checkbox"/> N4 NEMA-4 Enclosure (standard)	
<input type="checkbox"/> N4X NEMA-4X Enclosure - Stainless Steel	
<input type="checkbox"/> N4X316 NEMA-4X Enclosure - 316 Stainless Steel	
Asset Tag	
<input type="checkbox"/> 00 None _____	
<input type="checkbox"/> 01 1 Asset Tag _____	
<input type="checkbox"/> 02 2 Asset Tags _____	
<input type="checkbox"/> 03 3 Asset Tags _____	
<input type="checkbox"/> 04 4 Asset Tags _____	
<input type="checkbox"/> 05 5 Asset Tags _____	

Product Options (Must select one from each category)	
<input type="checkbox"/> AL3-SL	Stack Light with Distributed Control System Link
<input type="checkbox"/> NONE	None
<input type="checkbox"/> EXP2CFPM	Continuous Flow Explosion Proof Class1/Division2
<input type="checkbox"/> NONE	None
<input type="checkbox"/> FDS*	Internal Fused Disconnect
<input type="checkbox"/> NONE	None
<input type="checkbox"/> GF	Ground Fault Package
<input type="checkbox"/> NONE	None
<input type="checkbox"/> HLW	ASME Heat Exchanger with Level Sensor (63kW and Higher Only)
<input type="checkbox"/> NONE	None

Safety Shower Model (Must select one)	
<input type="checkbox"/> GG	S19314GG - Halo Eye/face wash, plastic showerhead, no bowl
<input type="checkbox"/> FW	S19314FW - Halo Eye/face wash, plastic showerhead & bowl
<input type="checkbox"/> PDCFW	S19314PDCFW - Halo Eye/face wash, plastic showerhead & bowl w/ dust cover
<input type="checkbox"/> FSS	S19314FSS - Halo stainless steel eye/face wash and showerhead
<input type="checkbox"/> SC	S19314SC - Halo stainless steel eye/face wash, bowl, cover and showerhead

Installation Accessories	
<input type="checkbox"/> BSPP	Stainless steel thread adapter converts NPT to BSPP
<input type="checkbox"/> NONE	None
<input type="checkbox"/> PRS**	ASME pressure relief valve, stainless steel
<input type="checkbox"/> NONE	None
<input type="checkbox"/> YS	Y-Strainer
<input type="checkbox"/> YSS	Y-Strainer, stainless steel
<input type="checkbox"/> NONE	None

* Not available with SNA-723/600D
 **Bronze pressure and temperature relief valve included as standard.

Application Attributes (MANDATORY)	
Coldest ground water temperature: _____	
Minimum Flow: _____	
Maximum Flow: _____	
Set point temperature 80°F/ 27°C: _____	

Delta T Calculation
 Set Point Temperature - Coldest Incoming Water Temperature = Minimum Delta T for Application

- Heaters listed above can be down rated in 380, 400 and 415 volts. Contact your local Keltech Representative for power ratio and effective kW.
- Keltech Tankless Water Heater Skid Systems are non-cancelable, non-refundable and non-returnable.
- Verify ASME Code applicability for all installations 58kw (200,000 btu) and higher.

Model Number Configuration

S19361-SNA-	3	/	D	-	-	-	-	-	-
	kW								
			Volts						
INSTL_ACCESSORY - _____									

Customer Signoff _____