

Installation

LVSD3

Verge® Lavatory System – LVS-Series
with Evero® Natural Quartz Material

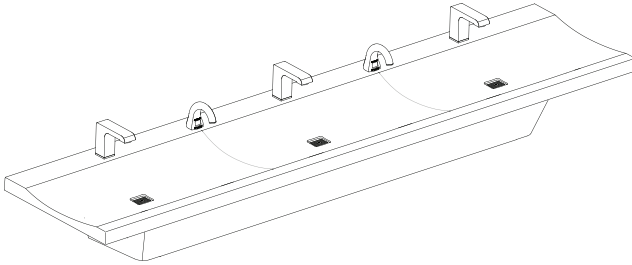


Table of Contents

Components	3-4
Supplies Required	5
Dimensions	5-6
Rough-Ins	7
Frame Mounting.....	8
Faucet Box and Valve Mounting	9
Overflow Plug Assembly.....	9
Drain Assembly	10
Faucets and Optional Soap Valve	10
Bowl Mounting	11
Strainer and P-trap	11
Adjust Temperature.....	12
Trap Cover	12
Cleaning and Maintenance.....	13



WARNING

Make sure that all water supply lines have been flushed and then completely turned off before beginning installation. Debris in supply lines can cause valves to malfunction.

Turn OFF electrical power to the electrical outlets, then unplug all electrical units prior to installation. Electrical power **MUST** remain off until installation is complete.

Installer's hardware must be appropriate for wall construction. Wall anchors must have a minimum pull-out rating of 1,000 pounds.

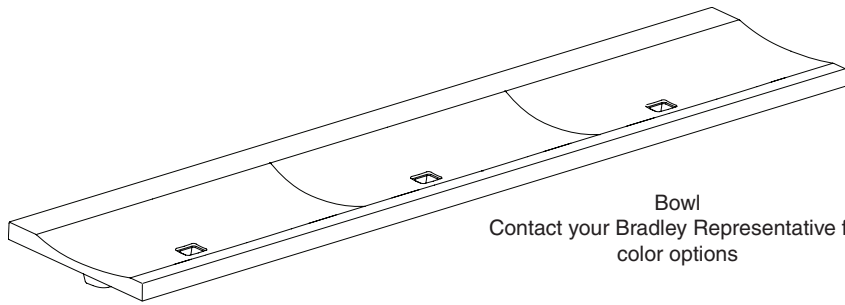
IMPORTANT

Read this entire installation manual to ensure proper installation. When finished with the installation, file this manual with the owner or maintenance department. Compliance and conformity to local codes and ordinances is the responsibility of the installer. Product warranties may be found under "Products" on our Web site at www.bradleycorp.com.

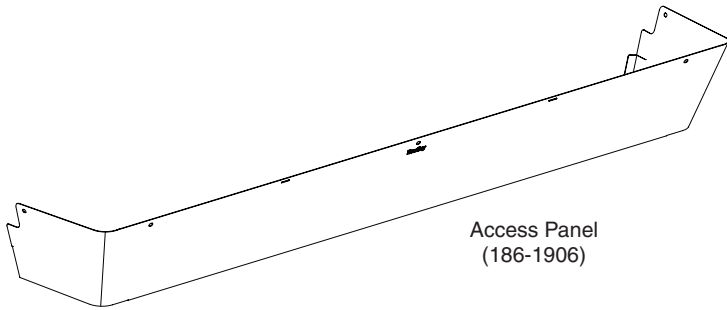
Separate parts from packaging and make sure all parts are accounted for before discarding any packaging material. If any parts are missing, do not begin installation until you obtain the missing parts.

For standard height mounting, do not exceed the recommended 33.5" distance from the fixture rim to the finished floor.

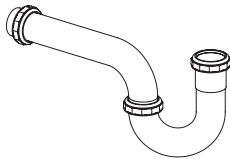
Components



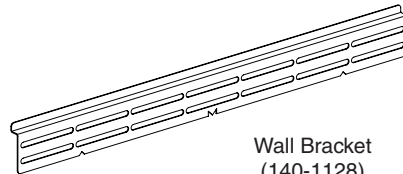
Bowl
Contact your Bradley Representative for color options



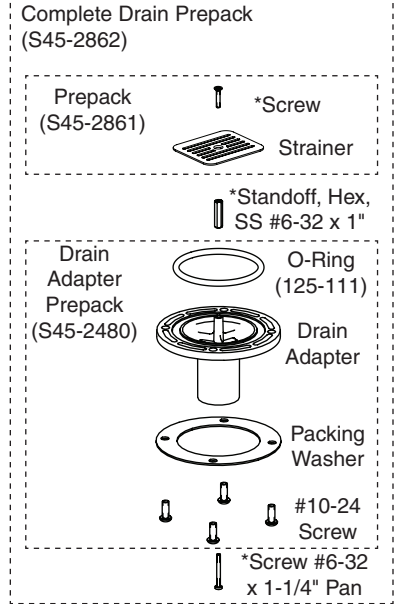
Access Panel
(186-1906)



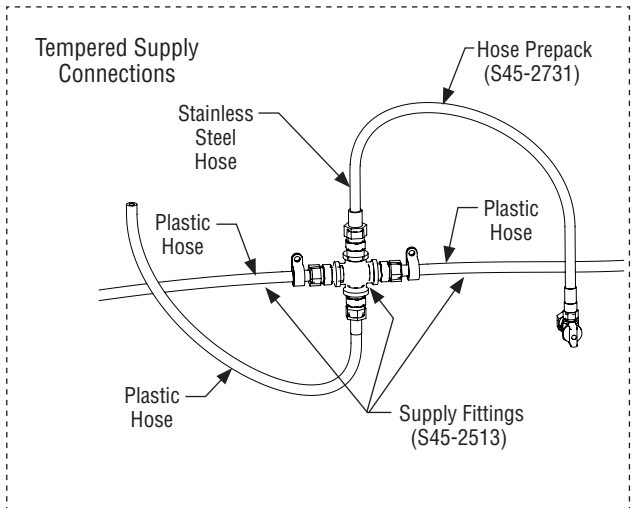
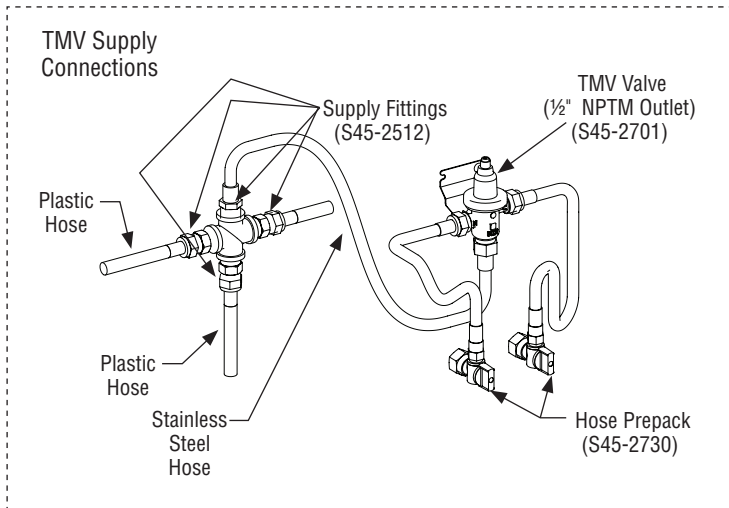
Individual Rough-In Option
Chrome P-trap (S29-094)
Plastic P-trap (269-1697)



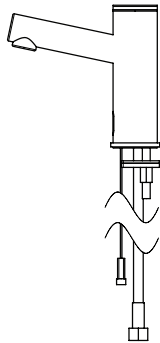
Wall Bracket
(140-1128)



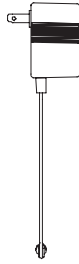
*Included in Prepack S45-2778



Components

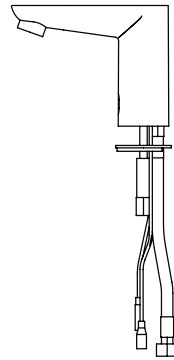


IR-DCD Faucet*
(S53-336)

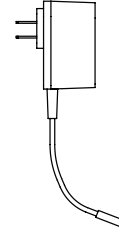


Plug-In Transformer
Option (PT) for
IR-DCD Faucet
(S53-337)

*Adapter S45-2872 included with faucet

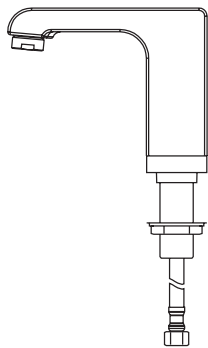


IR-DCG Faucet*
(S53-350)

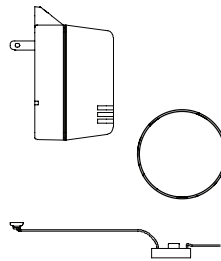


Plug-In Transformer
Option (PT) for
IR-DCG Faucet
(153-486)

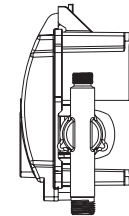
*Adapter S45-2872 included with faucet



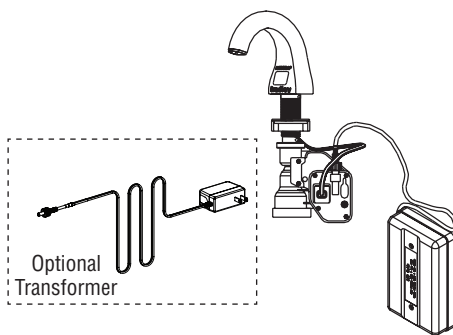
CAP-DCA Faucet
(S53-334)



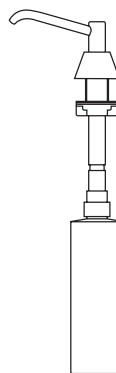
Plug-in transformer option (PT)
includes Transformer (S53-338),
Adapter (S53-339), and Grounding
Kit (S53-349) for CAP-DCA Faucets



Battery Box for
CAP-DCA Faucets



6315-KT0000 Soap Dispenser



6324-68 Soap Dispenser



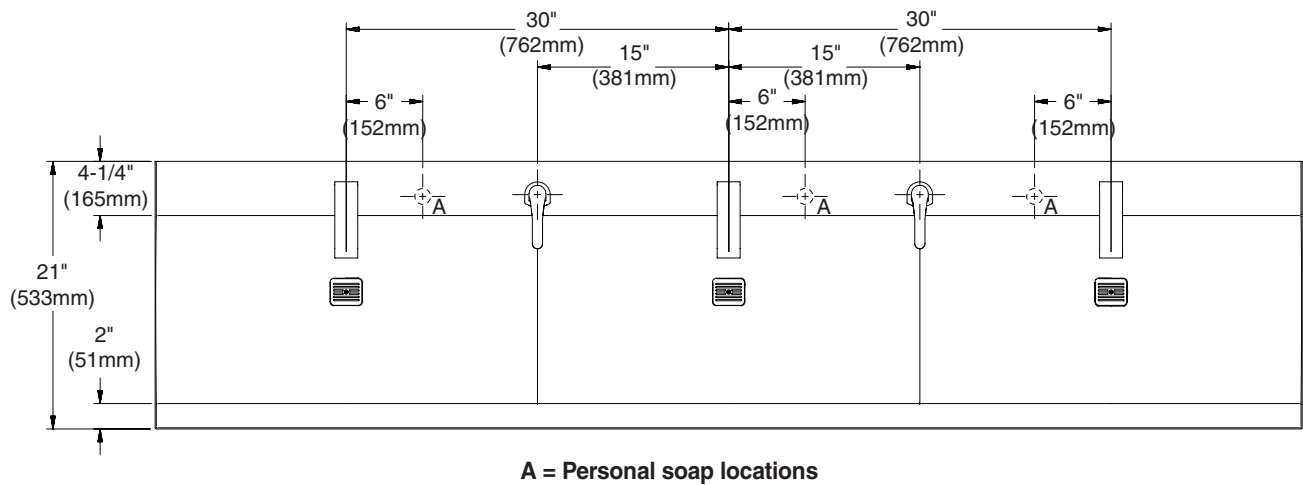
6334 Soap Dispenser

Supplies Required

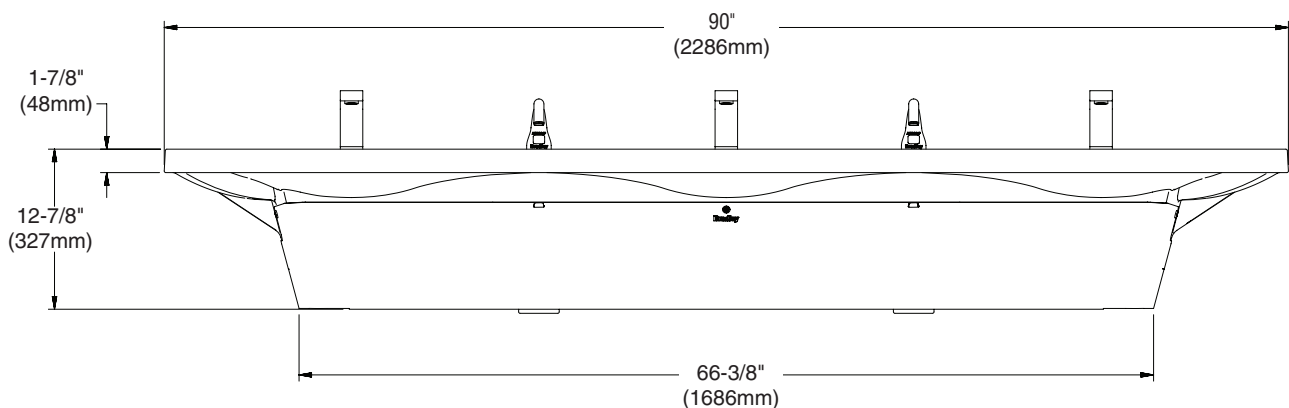
- (6) 3/8" fasteners and wall anchors (minimum pull-out rating of 1,000 lbs.)
- (2) 1/4" fasteners and wall anchors (minimum pull-out rating of 100 lbs.)
- 1/2" hot/cold or tempered stub-out(s)
- 1-1/2" NPT drain stub-out(s)
- OPTIONAL: (3) 110 volt GFCI protected electrical outlets for 100–120 VAC plug-in transformers only
- Screen filter(s) as needed, if not included with faucet(s)
- OPTIONAL: (3) 3/8" NPS 3/8" NPT Male Adapter for IR-DCD faucet only

Dimensions

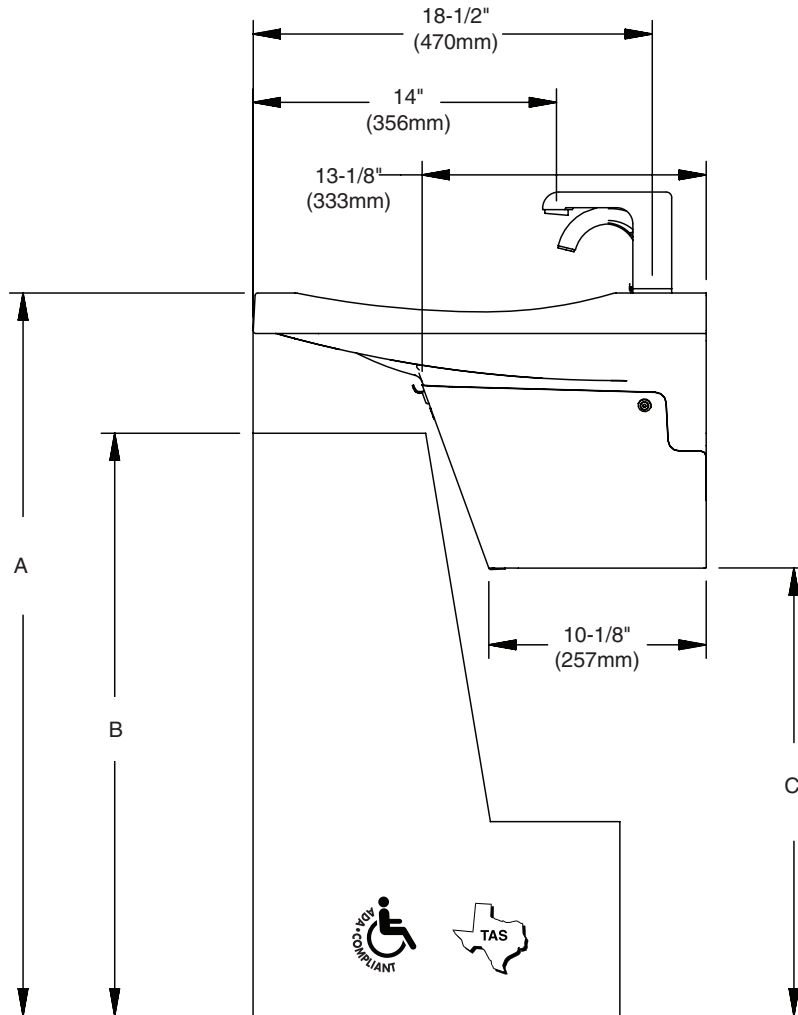
Top View (shown with CAP-DCA faucet and 6315 soap as shared soap)



Front View



Dimensions – Side View



	ADA/TAS Standard Height	ADA/TAS Juvenile Height (Children 6-12 years)	CSA Standard Height	OBC Standard Height	AODA-2015 Standard Height
Dim A	33-1/2" (851mm)	31" (787mm)	33-1/2" (851mm)	33" (838mm)	32-1/2" (826mm)
Dim B	27" (686mm)	24" (610mm)	29-5/8" (752mm)	28-15/16" (735mm)	28-15/16" (735mm)
Dim C	20-3/4" (527mm)	18-1/4" (464mm)	21-1/8" (536mm)	20-1/4" (514mm)	19-3/4" (502mm)

Structural Rough-Ins



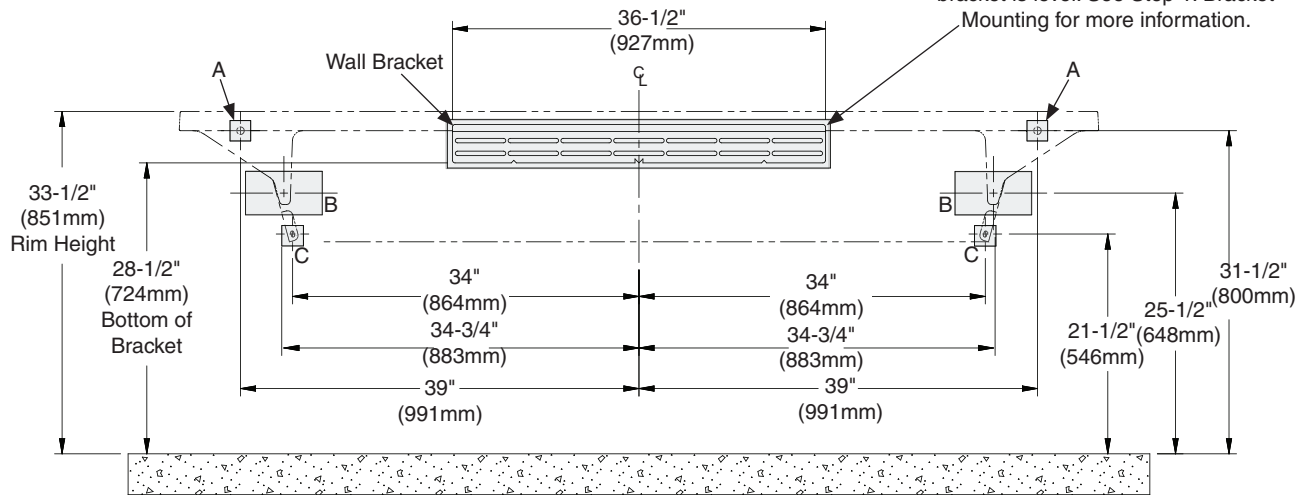
Mounting for Standard, ADA and TAS height shown.



Points A, B and C require sufficient backing compliant with local building codes.

WARNING Ensure bowl is completely seated in the wall bracket and securely fastened to the wall at point A.

Secure bracket to wall using min. (2) 3/8" anchor bolts to the left of C/L and min. (2) 3/8" anchor bolts to the right of C/L. The (2) anchor bolts to the right of C/L must be min. 16" apart from the anchor bolts to the left of C/L. When mounting is complete, check to ensure the bracket is level. See Step 1: Bracket Mounting for more information.



CODE	DESCRIPTION	QTY.
A	Install (1) 3/8" wall anchor with a minimum pull-out force of 1,000 lbs. per local codes at locations shown	2
B	Provide structural backing compliant with local building codes.	2
C	Install wall anchor with a minimum pull-out force of 100 lbs. per local codes at locations shown	2

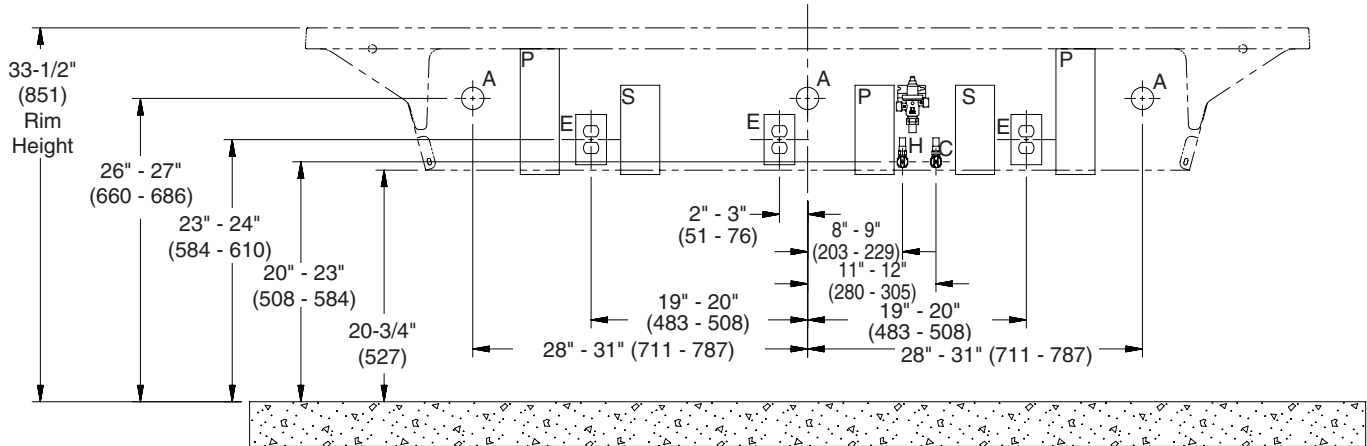
RIM HEIGHT	VERTICAL HEIGHT ADJUSTMENTS	FIXTURE STYLE
33-1/2"	No Adjustment	Standard Height, ADA, TAS and CSA
30-1/2"	Subtract 3"	Juvenile, ADA and TAS
32-1/2"	Subtract 1"	AODA
33"	Subtract 1/2"	OBC

Plumbing and Electrical Rough-Ins




Mounting for Standard, ADA and TAS height shown.


(mm)

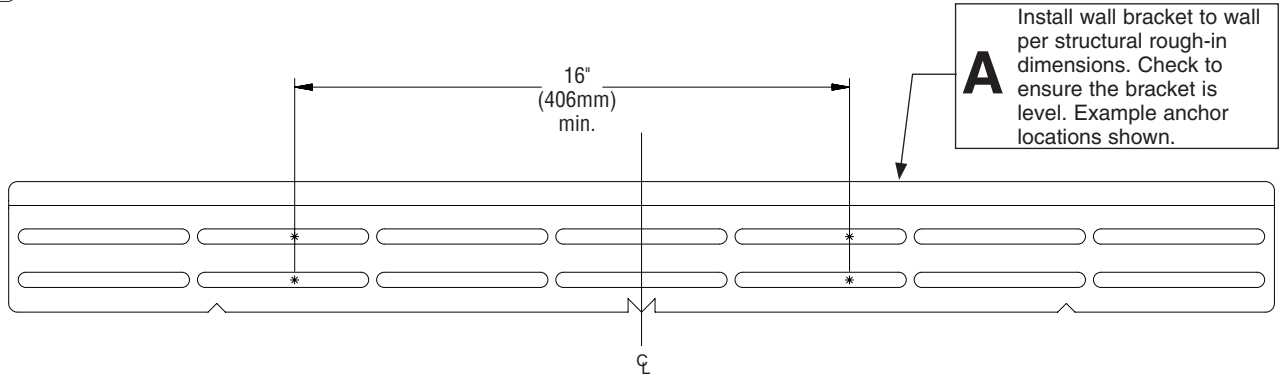


CODE	DESCRIPTION	QTY.
A	1-1/2" NPT Drain, Stub-out 2" from wall, individual waste option	3
H,C	1/2" Nominal (5/8" O.D. Comp.) Hot/Cold supplies, Stub-out 2" from wall	1
E	110V GFI protected electrical outlet (AC faucet and soap only)	3
S	Outline of shared soap container (if selected)	2
P	Outline of personal soap container (if selected)	3

1 Bracket Mounting

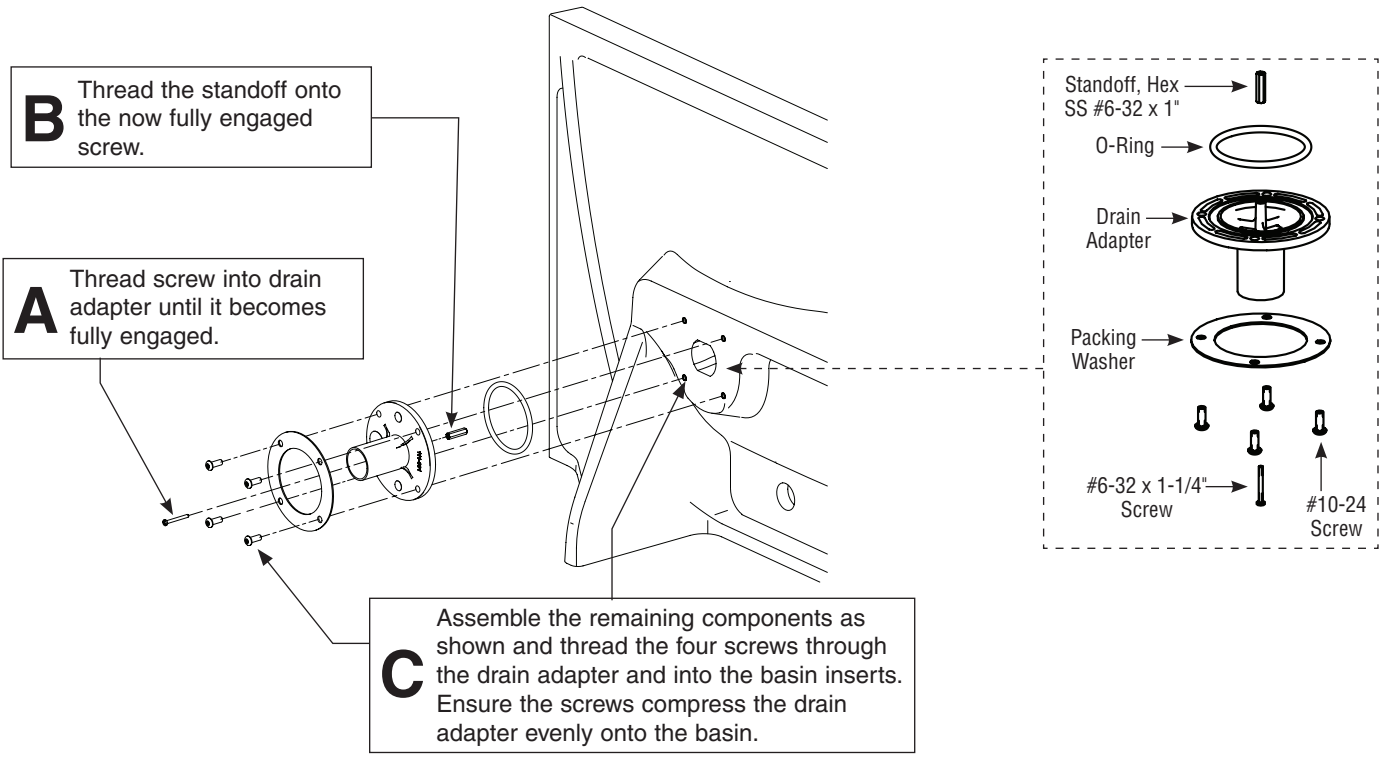
 Typical installation is shown. It may be necessary to repair the wall after mounting. The fixture may not cover all of the wall modifications.

 Mounting height per structural rough-in dimensions.



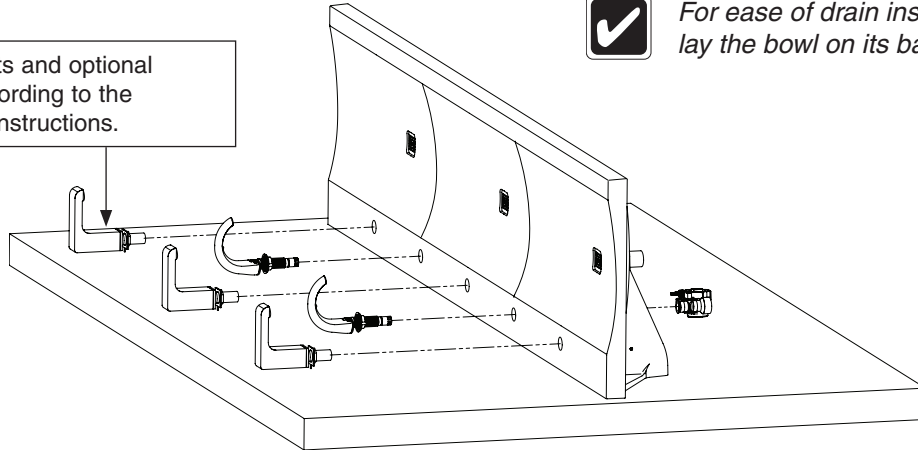
2 Drain Assembly

 For ease of drain installation, lay the bowl on its back.



3 Faucet Installation

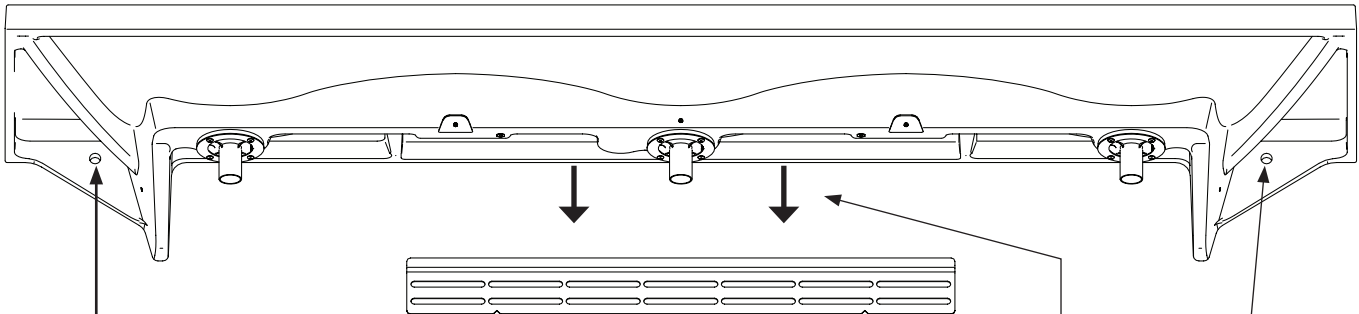
A Install the faucets and optional soap valves according to the manufacturer's instructions.



✓ For ease of drain installation, lay the bowl on its back.

4 Bowl Mounting (to Bracket and Wall)

⚠ WARNING Ensure bowl is completely seated in the wall bracket and securely fastened to the wall at point A.

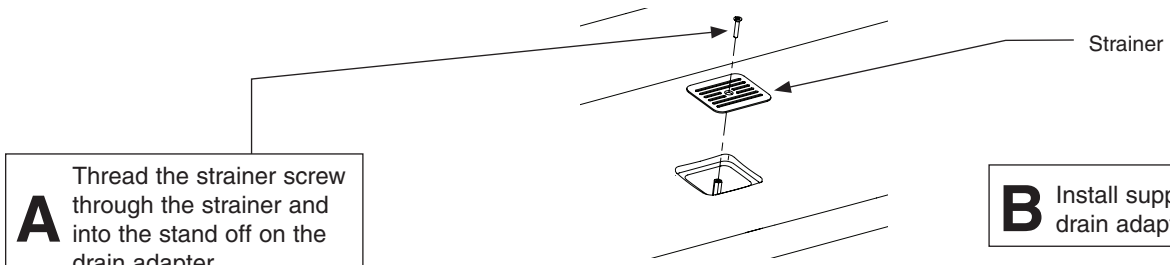


B Secure the bowl to the wall anchors using fasteners per the structural rough-in requirement (supplied by installer).

A Position bowl above wall bracket. Press firmly on the back of the bowl to seat the bowl flange into the wall bracket lip. Ensure bowl is level.

5 Strainer and P-Trap

✓ Ensure not to overtighten the strainer screw.



A Thread the strainer screw through the strainer and into the stand off on the drain adapter.

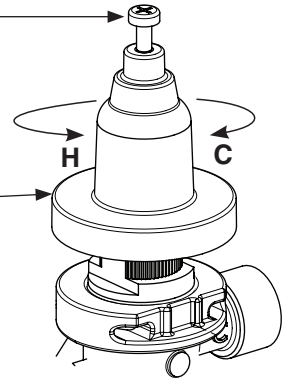
B Install supplied p-trap to drain adapter.

6 Adjust Temperature with Water Running

⚠ WARNING This valve is NOT factory preset. Upon installation, the temperature of this valve must be checked and adjusted to ensure delivery of a safe water temperature. Water in excess of 110°F (43°C) may cause scalding.

A Loosen Cap Screw about 1/4" (4-6 turns) and lift up cover (do not remove).

B Using cover, turn cartridge gently until desired water temperature is reached. Do not turn past stops as this may damage unit. Push cover down and tighten screw.



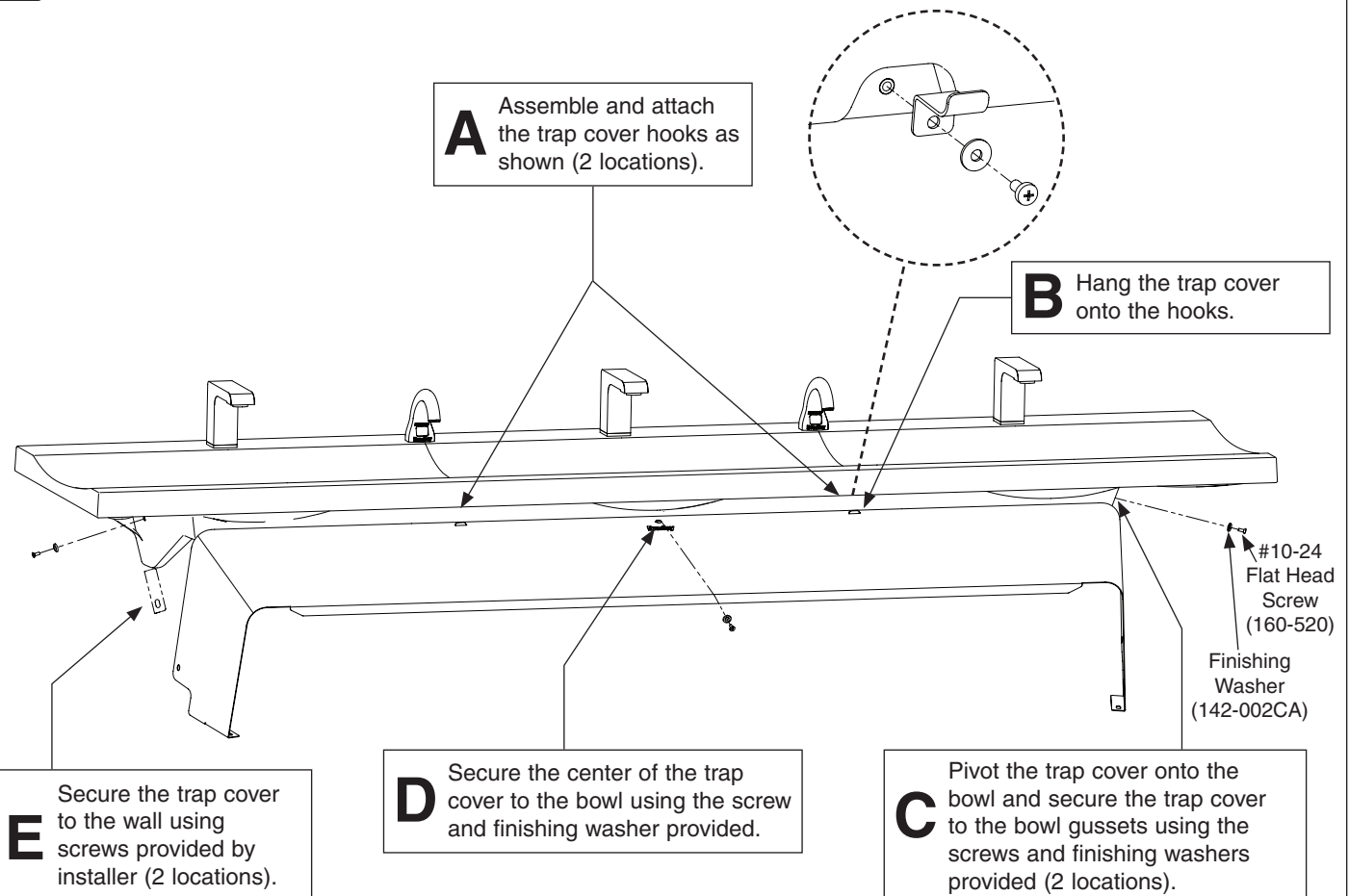
7 Trap Cover



Make all connections before installing trap cover.

A Assemble and attach the trap cover hooks as shown (2 locations).

B Hang the trap cover onto the hooks.



E Secure the trap cover to the wall using screws provided by installer (2 locations).

D Secure the center of the trap cover to the bowl using the screw and finishing washer provided.

C Pivot the trap cover onto the bowl and secure the trap cover to the bowl gussets using the screws and finishing washers provided (2 locations).

Cleaning and Maintenance for Evero

Material Description: Evero Natural Quartz Material is made from a blend of acrylic modified bio-based polyester resin, natural quartz and other materials and is resistant to chemicals, stains, burns and impact. Surface damage can be easily repaired with everyday cleansers or fine grit abrasives.

Routine Cleaning: For regular cleaning, use standard commercial or household products such as Simple Green®, Creamy Cleanser brand, Formula 409® or Windex®.

Stubborn Stains: Remove tough stains, with non abrasive cleaners and pads such as a white Scotch Brite® pad and Lysol®.

Special Situations for Evero Material

Hard Water Deposits: Remove hard water deposits with a mild solution of vinegar and water. Always rinse the unit thoroughly after cleaning.

Restoring the surface: Refresh and restore the rich surface with one of the following:

Geo Series: Color enhancer such as Tenax® Ager

Pearl Series: Impregnating sealer such as DryTreat Stain - Proof Original™ or Miracle Sealants 511 Impregnator

NOTICE! *Do not use strong acid or alkaline chemicals and cleansers to clean Evero. If these chemicals come in contact with the surface, wipe them off immediately and rinse with soapy water. Avoid contact with harsh chemicals such as paint remover, bleach, acetone, etc. Avoid contact with hot pans and objects.*

Repair Kits: Evero repair kits are available. Contact your Bradley representative or distributor for part numbers and pricing. Repair kits are made to order and have a shelf life of 30 days.



Evero is a unique cast material. Aggregate flow and distribution as well as shades of color can vary from product to product creating natural characteristics.

Cleaning and maintenance instructions for stainless steel

Material Description: Stainless steel is extremely durable, and maintenance is simple and inexpensive. Proper care, particularly under corrosive conditions, is essential. Always start with the simplest solution and work your way toward the more complicated.

Routine cleaning: Daily or as often as needed use a solution of warm water and soap, detergent, or ammonia. Apply the cleaning solution per the manufacturer's instructions and always use a soft cloth or sponge to avoid damaging the finish.

Stubborn Stains: To remove stains from stainless steel use a stainless steel cleaner and polish such as Ball® stainless steel cleaner or a soft abrasive. Always follow the manufacturer's instructions and apply in the same direction as the polish lines.

NOTICE! *Never use ordinary steel wool or steel brushes on stainless steel. Always use stainless steel wool or stainless steel brushes.*

Special Situations for Material

Fingerprints and Smears: To remove fingerprints or smears use a high quality stainless steel cleaner and polish in accordance with the manufacturer's instructions. Many of these products leave a protective coating that helps prevent future smears and fingerprints.

Grease and Oil : To remove grease and oil use a quality commercial detergent or caustic cleaner. Apply in accordance to the manufacturer's instructions and in the direction of the polish lines.

Precautions: Avoid prolonged contact with chlorides (bleaches, salts), bromides (sanitizing agents), thiocyanates (pesticides, photography chemicals, and some foods), and iodides on stainless steel equipment, especially if acid conditions exist.

NOTICE! *Do not permit salty solutions to evaporate and dry on stainless steel.*

The appearance of rust streaks on stainless steel leads to the belief that the stainless steel is rusting. Look for the actual source of the rust in some iron or steel particles which may be touching, but not actually a part of the stainless steel structure.

NOTICE! *Strongly acidic or caustic cleaners may attack the steel, causing a reddish film to appear. The use of these cleaners should be avoided.*

Brand Names: Use of brand names is intended only to indicate a type of cleaner. This does not constitute an endorsement, nor does the omission of any brand name cleaner imply its inadequacy. Many products named are regional in distribution, and can be found in local supermarkets, department and hardware stores, or through your cleaning service. It is emphasized that all products should be used in strict accordance with package instructions.