



LVSD1 Verge® Wash Basin – LVS-Series

- Sophisticated design integrates a linear open concept with personal space
- Single piece molded design eliminates caulk lines and seams
- Standard system comes complete with mounting, access panel, drain assembly and plumbing connections

Specifications

Accommodates one user at a time. The unit handles washroom traffic quickly and economically, while providing each user with personal space. The Verge® Wash Basin is designed with standard lavatory spacing positioned on 30" centers.

Construction

Basin

Evero® Geo Series is a natural quartz surface made from a blend of bio-based resin, natural quartz, granite and other exotic minerals. It is made of 25% recycled content.

Evero Pearl Series is a natural quartz surface made with bio-based resin, sea shells, recycled glass and natural quartz. It is made of 70% recycled content.

Variations in the natural stone color, pattern, size, shape and shade are inherent. Due to these unique characteristics, please expect subtle shade variations when units are installed adjacent to each other.

Access Panel

Minimalistic panel is composed of decorative 300 series stainless steel. Water supplies, valves, waste assembly and other optional items are concealed within the panel. The panel requires only one person for installation and removal.

Support Bracket

Bracket design allows for flexible stud or wall blocking anchor locations. Eliminates the need for in-wall carriers. IAPMO certified to meet or exceed ANSI load requirements.

Faucet Options

Choose from 0.5 GPM CAP-DCA, IR-DCD or IR-DCG which have been tested for fit and performance. Other compatible faucets include the Aerada 900 series Futura faucet, Aerada 1100 series High Arc faucets and the Aerada 1200 series CS faucet. For more information on these standard faucet options, please enter the model number in the search box at bradleycorp.com. 4" centerset and centershank faucet drillings are available for faucets by others. To maximize handwashing space and minimize splashing, Bradley recommends a faucet reach between 4" and 6". Dimension is measured from shank centerline to aerator centerline.



Soap Dispensers

Choose from our 6334, 6324-68 or 6315 soap dispensers, which have been tested for fit and performance. For more information on these soap dispenser options, please enter the model number in the search box at bradleycorp.com. Dispensers can be arranged as personal soap (dispensers next to each faucet) or shared soap (dispensers in between faucets). See page 3 for drilling locations. Soap drillings available for soap by others.

Strainer and Drain Assembly System

Strainer and drain assembly system comes complete with plungable 300 series stainless steel strainers, tailpiece and polypropylene p-trap. Optional chrome plated p-trap available.

Mounting Heights

Standard Height Mounting

The standard height hand washing stations are to be mounted with a 33-1/2" rim height to comply with ADA/TAS reaches and clearances.

Juvenile Height Mounting

The juvenile height hand washing stations are designed to be mounted at 30-1/2" rim height to comply with ADA/TAS reaches and clearances.

OBC Height Mounting

The Ontario Building Code hand washing stations are designed to be mounted at a 33" maximum rim height to comply with OBC reaches and clearances.

This plumbing fixture is designed for hand washing only. It is not Intended to dispense water for human consumption through drinking or for preparation of food or beverages.



LVSD1

Verge® Wash Basin – LVS-Series

Models (Must select one)		
Model	Description	
<input type="checkbox"/> LVSD1	Verge Wash Basin – LVS-Series, One-Station	
Standard Selections (Must select one from each category)		
Faucet Type (select one)		
<input type="checkbox"/> IR-DCG	Infrared Faucet Battery	
<input type="checkbox"/> IR-DCD	Infrared Faucet Battery	
<input type="checkbox"/> CAP-DCA	Capacitive Faucet Battery	
<input type="checkbox"/> SHANK	Centershank Drilling (1-1/4" Drilling Only)	
<input type="checkbox"/> 4" SET	4" Centerset Drilling (1-1/4" Drillings Only)	
Soap Dispenser Type (select one)		
<input type="checkbox"/> 6324-68	32 oz. Plastic Globe, 4" Spout	
<input type="checkbox"/> 6315-KT0000	Battery IR Metering Soap Dispenser Kit (with batteries and 1,000-shot soap)	
<input type="checkbox"/> 6334	16 oz. Plastic Globe, 3-1/2" Spout	
<input type="checkbox"/> SDO	1-1/4" Soap Drilling Only	
<input type="checkbox"/> NSD	No Soap Dispenser/No Drilling	
Water Supply Type (select one)		
<input type="checkbox"/> TMA	Navigator® Thermostatic Mixing Assembly w/Stops and Hot and Cold Supply Hoses	
<input type="checkbox"/> NONE	Single Tempered Line Assembly (Supply Hoses and Shut-Off Included)	
Color of Evero® Basin (select one)		
<i>Geo Series</i>		
<input type="checkbox"/> ANDORRA Andorra	<input type="checkbox"/> EVEREST Everest	<input type="checkbox"/> MYKONOS Mykonos
<input type="checkbox"/> ANTARCTICA Antarctica	<input type="checkbox"/> GLACIER Glacier Bay	<input type="checkbox"/> PATAGONIA Patagonia
<input type="checkbox"/> BLACK-SEA Black Sea	<input type="checkbox"/> KALAHARI Kalahari	<input type="checkbox"/> SIERRA Sierra Madre
<input type="checkbox"/> DENALI Denali	<input type="checkbox"/> MOJAVE Mojave	<input type="checkbox"/> YUKON Yukon
<i>Pearl Series (available at an additional charge) (Non-cancelable, non-returnable)</i>		
<input type="checkbox"/> AKOYA Akoya	<input type="checkbox"/> BLACK-MOON Black Moon	
Access Panel Type (select one)		
<input type="checkbox"/> STAIN	Stainless Steel	
Waste Assembly Type (select one)		
<input type="checkbox"/> IW-POLY	Polypropylene (1 p-trap per station)	
<input type="checkbox"/> IW-CHROME	Chrome-Plated (1 p-trap per station)	
Optional Selections		
Faucet Adapter Type:		
<input type="checkbox"/> PT	Plug-in adapter to convert battery operated CAP-DCA, IR-DCD or IR-DCG	
Soap Adapter Type:		
<input type="checkbox"/> P19-231F	Plug-in adapter - 6315 soap dispenser (must order as a separate line item)	

Code Compliance and Certifications

ANSI Standards

Evero Natural Quartz Surface meets the requirements of CSA B45.5/IAPMO Z124.

cUPC Approval

Verge Wash Basin is Uniform Plumbing Code (UPC), International Plumbing Code (IPC) and National Plumbing Code of Canada (NPC) approved through the International Association of Plumbing and Mechanical Officials (IAPMO). Manufactured in compliance with IGC 156, CSA B45 Series (R08) & ASME A112.18.1/CSA B125.1.



Standard product selections contained within this document are third party **CERTIFIED** to NSF/ANSI 372 meeting the Lead-Free content requirement. Any product configured with custom options will be **COMPLIANT** with NSF/ANSI 372 meeting the Lead-Free content requirement.

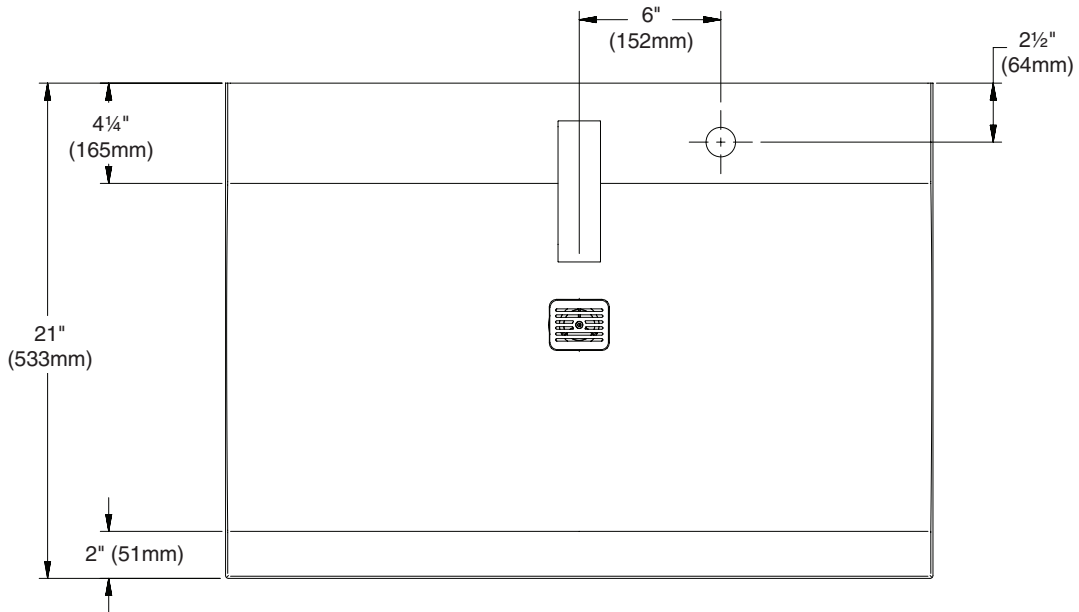




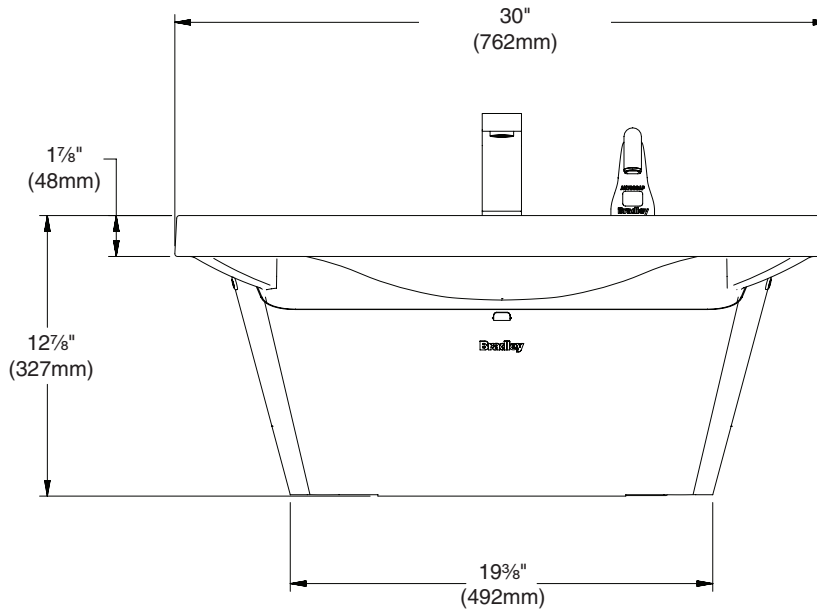
LVSD1 Verge® Wash Basin – LVS-Series

Dimensions for LVSD1 Verge Wash Basin (Shown with CAP-DCA Faucet and 6315 Soap as shared soap)

Top View



Front View

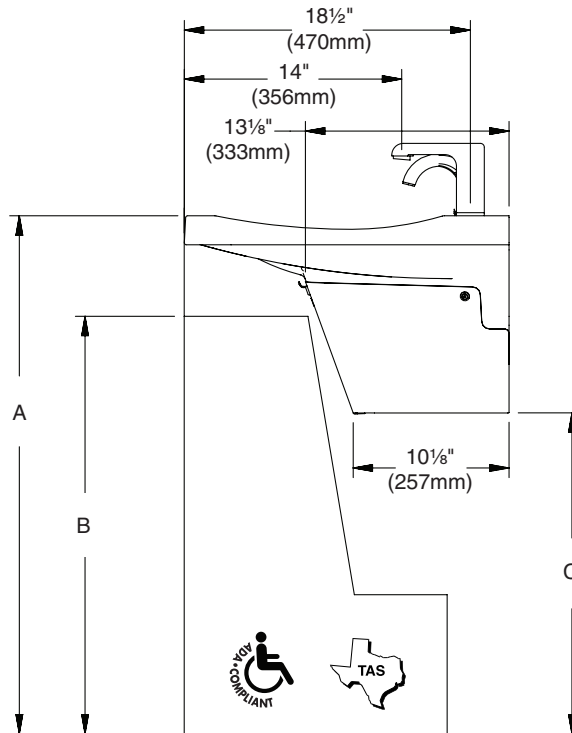




LVSD1 Verge® Wash Basin – LVS-Series

Dimensions for LVSD1 Verge Wash Basin

Side View



	ADA/TAS Standard Height	ADA/TAS Juvenile Height (Children 6-12 years)	CSA Standard Height	OBC Standard Height
Dim A	33½" (851mm)	30½" (787mm)	33½" (851mm)	33" (838mm)
Dim B	27" (686mm)	24" (610mm)	29⅝" (752mm)	28⅞" (735mm)
Dim C	20¾" (527mm)	18¼" (464mm)	21⅞" (536mm)	20¼" (514mm)

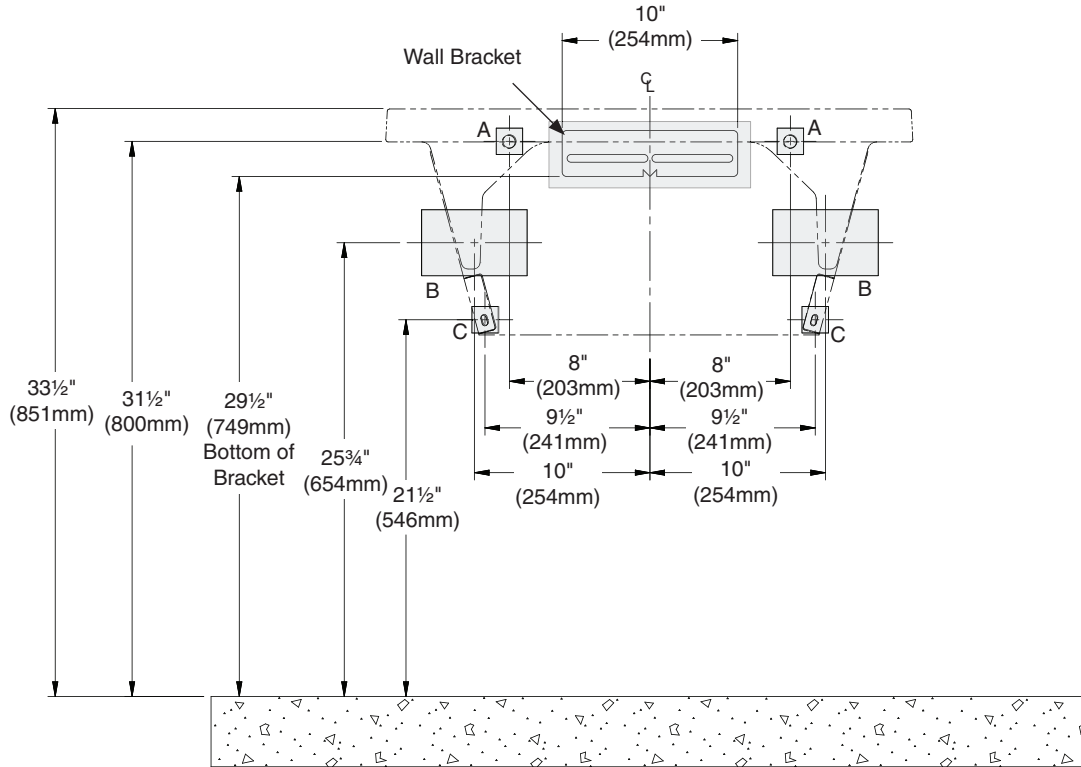


LVSD1 Verge® Wash Basin – LVS-Series

Structural Rough-Ins for LVSD1 Verge Wash Basin

⚠ WARNING Ensure bowl is completely seated in the wall bracket and securely fastened to the wall at point A.

- Mounting for Standard, ADA and TAS height shown.
- Points A, B and C require sufficient backing compliant with local building codes.



CODE	DESCRIPTION	QTY.
A	Install (1) 3/8" wall anchor with a minimum pull-out force of 1,000 lbs. per local codes at locations shown	2
B	Provide structural backing compliant with local building codes.	2
C	Install wall anchor with a minimum pull-out force of 100 lbs. per local codes at locations shown	2

RIM HEIGHT	VERTICAL HEIGHT ADJUSTMENTS	FIXTURE STYLE
33 1/2"	No Adjustment	Standard Height, ADA, TAS and CSA
30 1/2"	Subtract 3"	Juvenile, ADA and TAS
33"	Subtract 1/2"	OBC



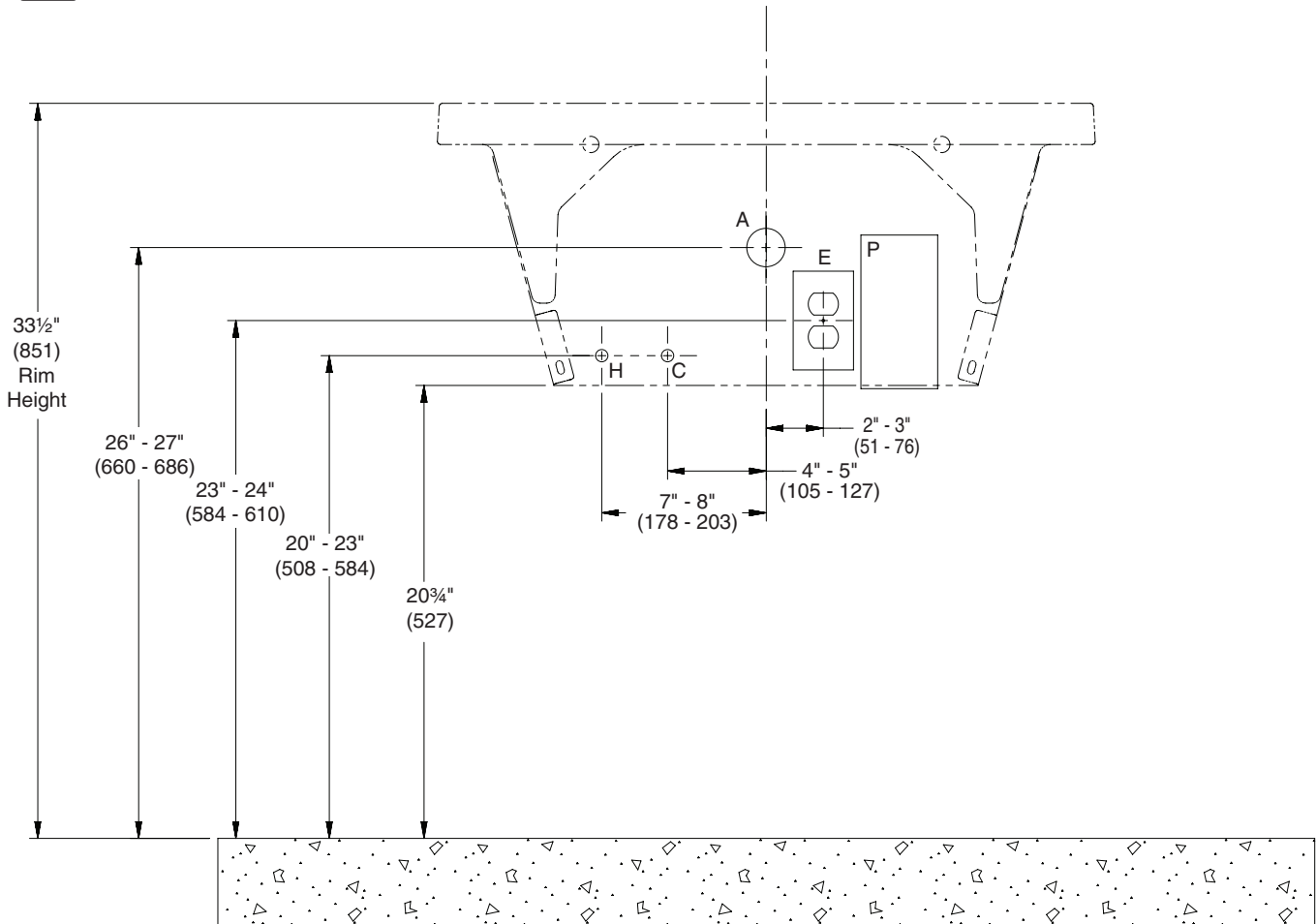
LVSD1 Verge® Wash Basin – LVS-Series

Plumbing and Electrical Rough-Ins for LVSD1 Wash Basin

(mm)



Mounting for Standard, ADA and TAS height shown.



CODE	DESCRIPTION	QTY.
A	1½" NPT Drain, Stub-out 2" from wall, individual waste option	1
H,C	½" Nominal (⅝" O.D. Comp.) Hot/Cold supplies, Stub-out 2" from wall	1
E	110V GFI protected electrical outlet (AC faucet and soap only)	1
P	Outline of soap container (if selected)	1