



# S19224 Series

## European and Australian Wall-Mount Halo™ Eyewash or Eye/Face Wash

- Halo™ Delivers the Most Effective Eye/Face Washdown Coverage and Spray Pattern
- Exceeds Australia/New Zealand AS-4775 & AS/NZS 4020
- Industry's Only Self-Draining Design – The Aquaduct™
- Separate Supply and Waste Pipes – Meets CEN and Plumbing Requirements
- Ergonomic Hand Activation Eyewash Paddle – Easy to Reach from Any Direction
- Barrier Free
- Fully-Assembled and Factory-Tested Eyewash or Eye/Face Wash with Hinged Dust Covers
- Yellow Transparent Plastic and Stainless Steel Bowl Covers Available
- Universal Identification Sign and Inspection Tag Included
- Certified by IAPMO OCEANA to AS4775 and AS/NZS 4020
- Halo™ is Covered by One or More of the Following Patents: 9,700,484; 9,314,398; D662220; D673298; D662605; D685920; D662219; and D671228. Other Patents Pending.

### Specifications

Standard Eyewash or Eye/Face Wash Units save space and fit easily into any work environment. Halo eyewash or eye/face wash, operated by an ergonomic, highly visible push handle, provides effective wash down coverage and spray pattern. Integral strainer reduces debris in the water and also prevents clogging.

*This plumbing fixture is not intended to dispense water for human consumption through drinking or for preparation of food or beverages.*

#### Pipe and Fittings

Piping to 1/2" BSPP water supply inlet on unit. Piping to 1/4" BSPP drain outlet for eyewash.

1/4" piping assembly manufactured of one of the following materials:

- Type 304 corrosion resistant stainless steel

#### Ball Valve

1/2" stay-open eye and eye/face wash valve manufactured of the following materials:

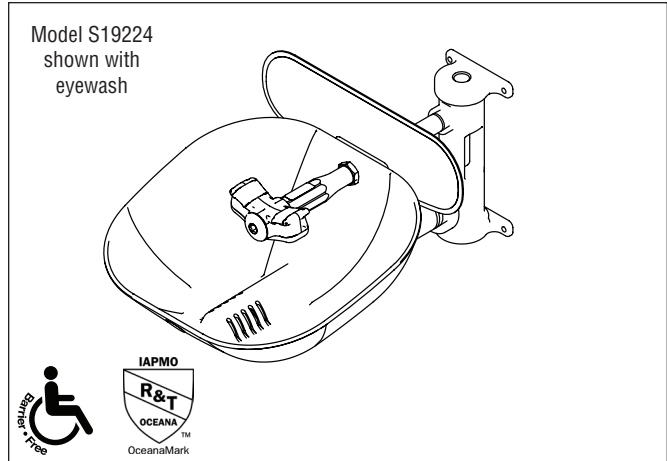
- Type 316 stainless steel

#### Eyewash

The Halo eyewash system offers a high performance rinsing platform that provides rapid relief to an individual's eyes that have been injured by chemicals or particulate. The eyewash includes an integral 5.1 GPM (19.2 L) flow control, providing water at a safe velocity while maintaining its effectiveness (exceeds minimum water flow of 0.4 GPM (1.5 L) at 30 PSI (2.0 bar)). Eyewash is protected by flip open dust covers that open when product is activated or by a full bowl dust cover that activates the unit when it is opened. Safe, steady water flow under varying water supply conditions from 30–90 PSI (2.0–6.1 bar) is assured by integral flow control in the sprayhead assembly.

#### Eye/Face Wash

The Halo eye/face wash system offers a high performance rinsing platform that provides rapid relief to an individual's eyes and face that have been injured by chemicals or particulate. This system provides the most complete face wash available in the market. The eye/face wash includes an integral 5.1 GPM (19.2 L) flow control, providing water at a safe velocity while maintaining its effectiveness (exceeds minimum water flow of 3.0 GPM (11.4 L) at 30 PSI (2.0 bar)). Eye/face wash is protected by flip open dust covers that open when product is activated or by a full bowl dust cover that activates the unit when it is opened. Safe, steady water flow under varying water supply conditions from 30–90 PSI (2.0–6.1 bar) is assured by integral flow control in the sprayhead assembly. Sprayheads are made from an impact resistant ABS plastic or from durable 304 stainless steel with electro-polished finish.



#### Bowl

Bowl is constructed of yellow impact-resistant plastic or Type 304 corrosion-resistant stainless steel. Optional dust cover is constructed of transparent yellow impact-resistant plastic or Type 304 corrosion-resistant stainless steel.

#### Activation

Type 304 stainless steel push handle with optional type 304 stainless steel foot pedal.

#### Wall Bracket

Heavy-gauge sand cast aluminum protected with BradTect safety yellow coating. Includes three clearance holes for mounting bracket onto wall (mounting hardware not included).

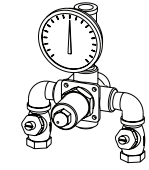
#### Waste

1/4" drain fitting and tailpiece furnished.

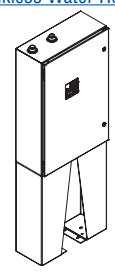
*Drench hose, backflow prevention and mixing valves are not certified to Australia AS4775 or European EN 15154-2.*

### Tepid Water Options

[Navigator S19-2000 EFX8](#)  
Emergency Thermostatic Mixing Valve



[Keltech CLE-Series](#)  
Tankless Water Heater



Satisfies ANSI/ISEA Z358.1 tepid water requirements.



# S19224 Series

## European and Australian Wall-Mount Halo™ Eyewash or Eye/Face Wash

### Halo Pre-Configured Models

All models with AS4775 & AS/NZS 4020 Certification include BSPP threading.

Halo Model Number	Description	IAPMO Oceana certified to AS4775 & AS4020
<b>Eyewashes</b>		
<input type="checkbox"/> S19224EWZ	Halo Eyewash, plastic bowl	
<input type="checkbox"/> S19224EWZS	Halo Eyewash, plastic bowl, stainless steel piping	X
<input type="checkbox"/> S19224PTZ	Halo Eyewash, plastic bowl, p-trap	
<input type="checkbox"/> S19224PTZS	Halo Eyewash, plastic bowl, p-trap, stainless steel piping	
<input type="checkbox"/> S19224BZ	Halo Eyewash, stainless steel bowl	
<input type="checkbox"/> S19224BZS	Halo Eyewash, stainless steel bowl, stainless steel piping	X
<input type="checkbox"/> S19224BPTZ	Halo Eyewash, stainless steel bowl, p-trap	
<input type="checkbox"/> S19224BPTZS	Halo Eyewash, stainless steel bowl, p-trap, stainless steel piping	
<b>Eyewashes with Dust Cover</b>		
<input type="checkbox"/> S19224PDCZ	Halo Eyewash, plastic bowl w/ dust cover	
<input type="checkbox"/> S19224PDCZS	Halo Eyewash, plastic bowl w/ dust cover, stainless steel piping	X
<input type="checkbox"/> S19224DCZ	Halo Eyewash, stainless steel bowl & hinged dust cover	
<input type="checkbox"/> S19224DCZS	Halo Eyewash, stainless steel bowl & hinged dust cover, stainless steel piping	X
<input type="checkbox"/> S19224DCPTZ	Halo Eyewash, stainless steel bowl & hinged dust cover, p-trap	
<input type="checkbox"/> S19224DCPTZS	Halo Eyewash, stainless steel bowl & hinged dust cover, p-trap, stainless steel piping	
<b>Eye-Face Washes</b>		
<input type="checkbox"/> S19224FWZ	Halo Eye/face wash, plastic bowl	
<input type="checkbox"/> S19224FWZS	Halo Eye/face wash, plastic bowl, stainless steel piping	X
<input type="checkbox"/> S19224FWPTZ	Halo Eye/face wash, plastic bowl, p-trap	
<input type="checkbox"/> S19224FWPTZS	Halo Eye/face wash, plastic bowl, p-trap, stainless steel piping	
<input type="checkbox"/> S19224TZ	Halo Eye/face wash, stainless steel bowl	
<input type="checkbox"/> S19224TZS	Halo Eye/face wash, stainless steel bowl, stainless steel piping	X
<input type="checkbox"/> S19224TPTZ	Halo Eye/face wash, stainless steel bowl, p-trap	
<input type="checkbox"/> S19224TPTZS	Halo Eye/face wash, stainless steel bowl, p-trap, stainless steel piping	
<input type="checkbox"/> S19224YZ	Halo Eye/face wash, stainless steel bowl, hand/foot operated, tailpiece	
<input type="checkbox"/> S19224YZS	Halo Eye/face wash, stainless steel bowl, hand/foot operated, tailpiece, stainless steel piping	X
<input type="checkbox"/> S19224PZ	Halo Eye/face wash, stainless steel bowl w/ hose spray, tailpiece	



# S19224 Series

## European and Australian Wall-Mount Halo™ Eyewash or Eye/Face Wash

### Halo Pre-Configured Models

All models with AS4775 & AS/NZS 4020 Certification include BSPP threading.

Halo Model Number	Description	IAPMO Oceana certified to AS4775 & AS4020
<b>Eye-Face Washes with Dust Cover</b>		
<input type="checkbox"/> S19224PDCFVZ	Halo Eye/face wash, plastic bowl w/ hinged dust cover	
<input type="checkbox"/> S19224PDCFVZS	Halo Eye/face wash, plastic bowl w/ hinged dust cover, stainless steel piping	X
<input type="checkbox"/> S19224DCFVZ	Halo Eye/face wash, stainless steel bowl & hinged dust cover	
<input type="checkbox"/> S19224DCFVZS	Halo Eye/face wash, stainless steel bowl & hinged dust cover, stainless steel piping	X
<input type="checkbox"/> S19224DCRPTZ	Halo Eye/face wash, stainless steel bowl & hinged dust cover, p-trap	
<input type="checkbox"/> S19224DCRPTZS	Halo Eye/face wash, stainless steel bowl & hinged dust cover, p-trap, stainless steel piping	
<b>All Stainless Steel Eye/Face Wash</b>		
<input type="checkbox"/> S19214SCZ	Halo stainless steel eye/face wash, bowl and cover	X
<input type="checkbox"/> S19214SSZ	Halo stainless steel eye/face wash and bowl with foot activation	X



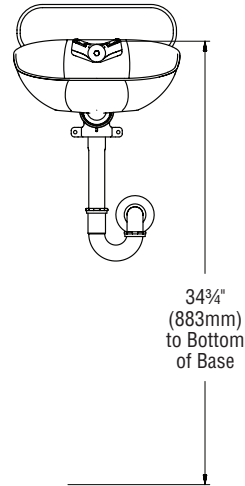
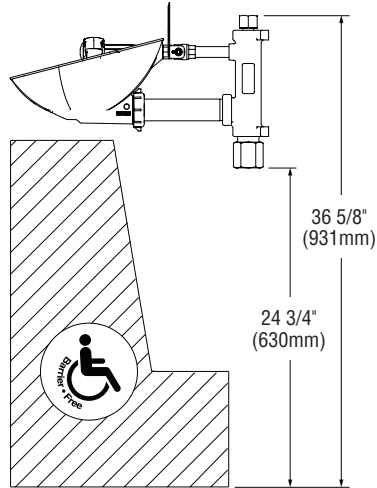
# S19224 Series

## European and Australian Wall-Mount Halo™ Eyewash or Eye/Face Wash

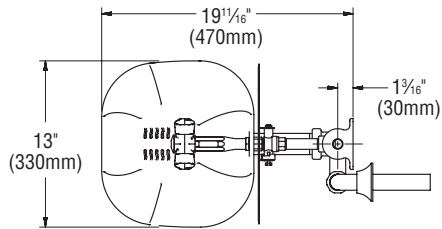
### S19224 shown with Eyewash and Plastic Bowl

Drawing depicts Eyewash. Eye/Face Wash dimensions are the same.

#### BSPP Connections



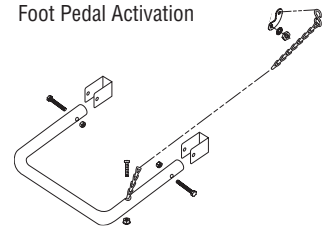
#### Eyewash Bowl



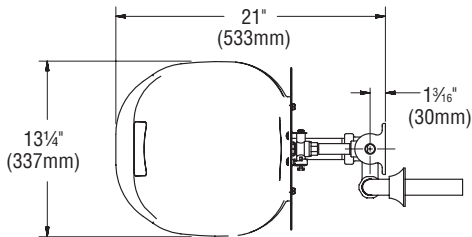
#### S19-430EH Drench Hose



#### Foot Pedal Activation



#### Dust Cover



**All dimensions assume standard thread engagement. Variations in manufacturing allow for +/- 1/16" (3mm) per threaded joint. To find the tolerance of a dimension, add the number of thread joints across the length of the dimension and multiply it by 1/16" (3mm).**