



- One piece plated stainless steel WashBar™ includes touch-free soap, water and hand dryer
- WashBar technology intuitively guides user and eliminates simultaneous activations
- Basin and drain engineered to evacuate water and dissipate air flow
- Single piece molded basin eliminates caulk lines and seams
- WashBar and basin system comes complete with mounting, access panel, drain assembly and plumbing connections


Specifications

The Verge LVQD3 Wash Basin is 90" in length and is designed to accommodate one to three users at a time with standard lavatory spacing positioned on 30" centers. The single piece All in One WashBar allows users to access soap, water and a hand dryer without leaving the hand washing station. The unit handles washroom traffic quickly and economically, while providing each user with personal space.

Construction

Basin

The basin has been designed to direct water to a trench drain and features a 300 series stainless steel drain cap. The basin and drain cap work together to evacuate water and dissipate airflow to prevent splashing on the user or floor. The basin is constructed of Evero Geo Series, a natural quartz surface made from a blend of bio-based resin, natural quartz, granite and other exotic minerals. It is made of 25% recycled content. Evero Pearl Series is a natural quartz surface made with bio-based resin, sea shells, recycled glass and natural quartz. It is made of 70% recycled content. Basin is available in all Evero colors.

 Variations in the natural stone color, pattern, size, shape and shade are inherent. Due to these unique characteristics, please expect subtle shade variations when units are installed adjacent to each other.

WashBar™

All in One chrome-plated stainless steel WashBar includes touch-free soap, water and hand dryer. Load tested at 500 pounds, the WashBar is secured to the basin with two anti-rotational shanks. Blue LED lights help guide the user to the WashBar, indicating the three functions. The LED light will change from blue to green to signify that the function is in use. Each function is easily identified by the corresponding icon on the WashBar's top surface.

Sensors are programmed to eliminate simultaneous activations of nearby functions. Each sensor includes a turn-off delay of 1-2 seconds to aid in a smooth, controlled hand-washing and drying operation. WashBar sensors are not affected by varying skin tones or darkness. Smart technology allows the facilities manager or maintenance staff to clean and configure with ease.

Cleaning Mode

WashBar has an activation feature to put the unit into cleaning mode to allow for easy cleaning of the WashBar and basin without activating the functions.

Configuration Mode

The WashBar also has a configuration mode to identify how many cycles are on the soap, faucet and dryer. Mode also allows for dryer speed adjustment at low, medium and high levels.



Soap Dispenser

The soap dispenser is located on the left side of the WashBar. This eliminates any soap from dripping on counters or onto the floor, minimizing slip hazards and allows for easy cleaning. Choose between a foam or liquid soap dispenser, which are compatible with most bulk soaps. Soap system accommodates up to a 1 gallon container to reduce the number of soap replacements. When the LED light above the soap function turns to solid red, simply check the level and replace the soap container with a full container if necessary. The soap system includes an adapter to fit many 1 gallon soap containers available on the market.

Please visit <https://www.bradleycorp.com/maintenance/soap-dispensers> for soap recommendations.

Faucet

Faucet is located in the center of the WashBar and has a spray angle of approximately 17° off the vertical. Choose either a 0.5 gpm or 0.35 gpm PCA silicone tip, non-aerated spray pattern. Maximum run time is 30 seconds. The 0.5 gpm aerator option is the equivalent to 0.25 gpc and the 0.35 gpm aerator option is the equivalent to 0.18 gpc. Automatic 5 second purge within 24 hours of the last use. Recommended operating range is 20-80 psi.

Dryer

The hand dryer is located on the right side of the WashBar, allowing users to dry their hands immediately after washing. This virtually eliminates excess water on the floor. The dryer motor provides heated air at three speeds, high-medium-low, which can be field adjusted by placing the WashBar in configuration mode. The single sided dryer will dry hands in approximately 15 seconds depending on user preference. The decibel range with hands in air stream is 76 dB (high speed) to 64 dB (low speed). The dryer motor, located behind the access panel, is cCSAus listed.

Electrical

Total rated power of each WashBar station is 1200W. Each WashBar is powered by one 12V DC adapter that plugs directly into its dryer or the electrical outlet. The WashBar and dryer motor require a properly grounded dedicated 20 amp circuit, 120V outlet. One duplex outlet is required per station to power the WashBar and dryer.

Access Panel

Minimalistic panel is composed of decorative 300 series stainless steel. Plumbing components, dryer motor, and soap tank are concealed within the panel. The new swing down access panel is designed to ease the maintenance process by eliminating tools and only requires one person for installation. Top edge of the access panel has been hemmed to reduce sharpness.

Support Bracket

Bracket design allows for flexible stud or wall blocking anchor locations. Eliminates the need for in-wall carriers and frame. System is IAPMO certified to meet or exceed ANSI load requirements.

 This plumbing fixture is designed for hand washing only. It is not intended to dispense water for human consumption through drinking or for preparation of food or beverages.

© 2018 Bradley

P.O. Box 309, Menomonee Falls, WI 53052-0309
800 BRADLEY (800 272 3539) +1 262 251 6000
bradleycorp.com



Models (Must select one)		
Model	Description	
<input type="checkbox"/> LVQD3	Verge with WashBar Technology – LVQ-Series, Three-Station	
Standard Selections (Must select one from each category)		
WashBar Type (select one)		
<input type="checkbox"/> WB1	Chrome-Plated WashBar with Infrared Control	
Aerator Type (select one)		
<input type="checkbox"/> A35	0.35 gpm PCA Silicone Tip, Non-Aerated	
<input type="checkbox"/> A50	0.50 gpm PCA Silicone Tip, Non-Aerated	
Soap Type (select one)		
<input type="checkbox"/> FSD	Foam Soap Dispenser - 1 gallon soap container by others	
<input type="checkbox"/> LSD	Liquid Soap Dispenser - 1 gallon soap container by others	
Hand Dryer Type (select one)		
<input type="checkbox"/> HD1	DC Motor 120v/60hz, 20 Amp	
Trench Drain Cap Type (select one)		
<input type="checkbox"/> DR1	Stainless Steel Trench Drain Cap	
Water Supply Type (select one)		
<input type="checkbox"/> TMA	Navigator® Thermostatic Mixing Assembly w/Stops and Hot and Cold Supply Hoses	
<input type="checkbox"/> NONE	Single Tempered Line Assembly (Supply Hose and Shut-Offs Included)	
Color of Evero® Basin (select one)		
<i>Geo Series</i>		
<input type="checkbox"/> ANDORRA Andorra	<input type="checkbox"/> EVEREST Everest	<input type="checkbox"/> MYKONOS Mykonos
<input type="checkbox"/> ANTARCTICA Antarctica	<input type="checkbox"/> GLACIER Glacier Bay	<input type="checkbox"/> PATAGONIA Patagonia
<input type="checkbox"/> BLACK-SEA Black Sea	<input type="checkbox"/> KALAHARI Kalahari	<input type="checkbox"/> SIERRA Sierra Madre
<input type="checkbox"/> DENALI Denali	<input type="checkbox"/> MOJAVE Mojave	<input type="checkbox"/> YUKON Yukon
<i>Pearl Series (available at an additional charge) (Non-cancelable, non-returnable)</i>		
<input type="checkbox"/> AKOYA Akoya	<input type="checkbox"/> BLACK-MOON Black Moon	
Access Panel Type (select one)		
<input type="checkbox"/> STAIN	Swing Down Stainless Steel	
Access Panel Fastener Type (select one)		
<input type="checkbox"/> TS	Thumb Screw	
<input type="checkbox"/> VS	Vandal Resistant Screw	
Waste Assembly Type (select one)		
<input type="checkbox"/> S-POLY	Single Polypropylene P-Trap	
<input type="checkbox"/> S-CHROME	Single Chrome Plated P-Trap	

Strainer and Drain Assembly System

Strainer and drain assembly system comes complete with 300 series stainless steel trench drain cap, tailpiece and polypropylene p-trap. Optional chrome plated p-trap available. The multi-station system is configured with one drain and one set of supplies to reduce the cost associated with individual drains and supplies.

Mounting Heights

Standard Height Mounting

The standard height hand washing stations are to be mounted with a 33-1/2" rim height to comply with ADA/TAS reaches and clearances.

Juvenile Height Mounting

The juvenile height hand washing stations are designed to be mounted at 30-1/2" rim height to comply with ADA/TAS reaches and clearances.

Code Compliance and Certifications

ANSI Standards

Evero Natural Quartz Surface meets the requirements of CSA B45.5/IAPMO Z124.

cUPC Approval

Verge Lavatory is Uniform Plumbing Code (UPC), International Plumbing Code (IPC) and National Plumbing Code of Canada (NPC) approved through the International Association of Plumbing and Mechanical Officials (IAPMO). Manufactured in compliance with IGC 127-2014 Combined Hand Washing Systems, IGC 156, CSA B45 Series (R08) & ASME A112.18.1/CSA B125.1.



Standard product selections contained within this document are third party **CERTIFIED** to NSF/ANSI 372 meeting the Lead-Free content requirement. Any product configured with custom options will be **COMPLIANT** with NSF/ANSI 372 meeting the Lead-Free content requirement.



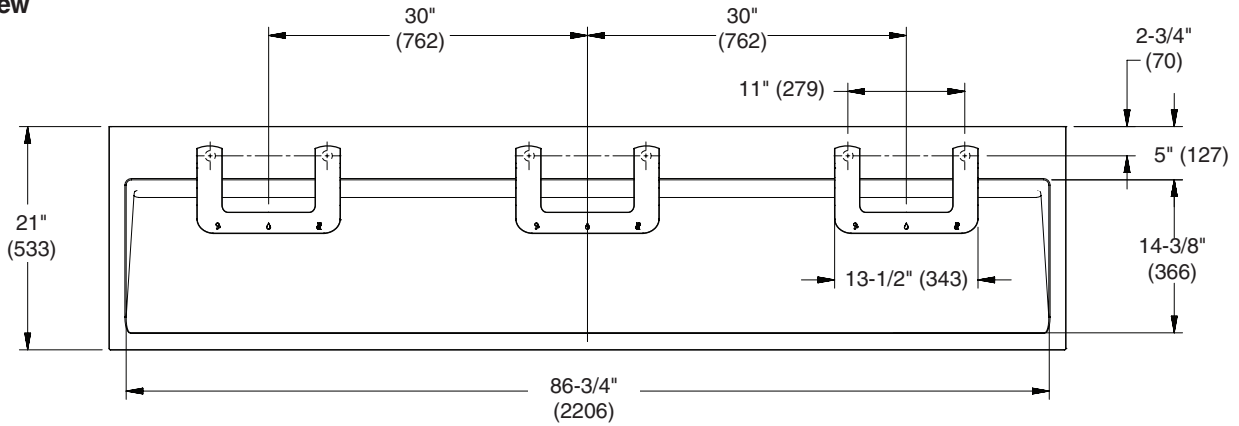


LVQD3 Verge® with WashBar™ Technology – LVQ-Series

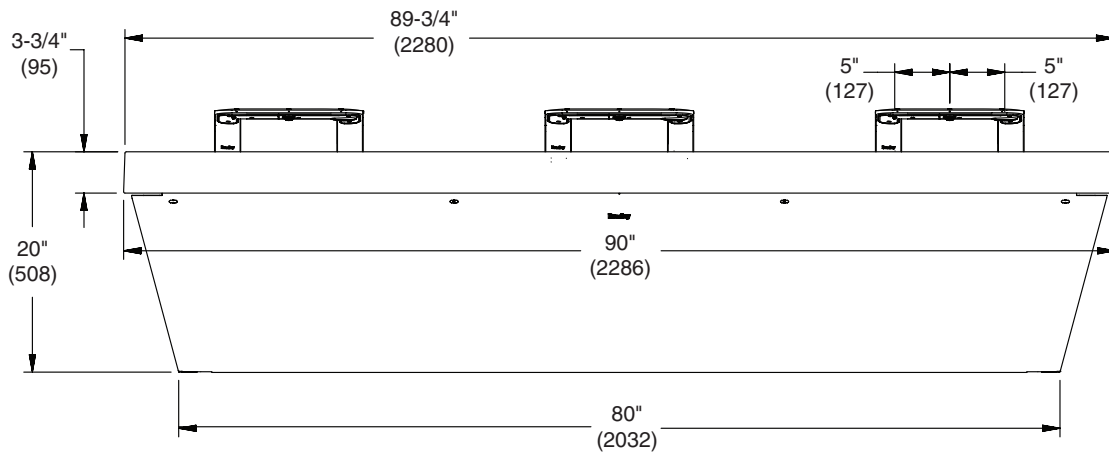
Dimensions for LVQD3 Wash Basin

(mm)

Top View



Front View





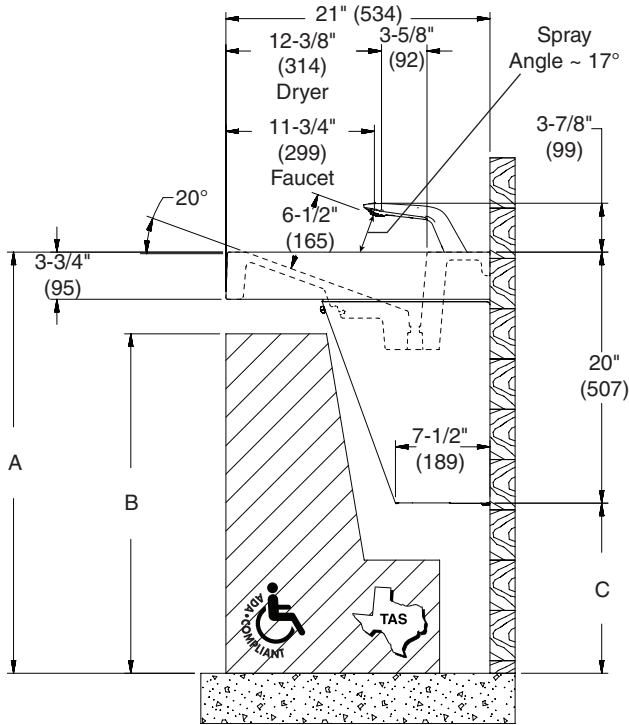
LVQD3

Verge® with WashBar™ Technology – LVQ-Series

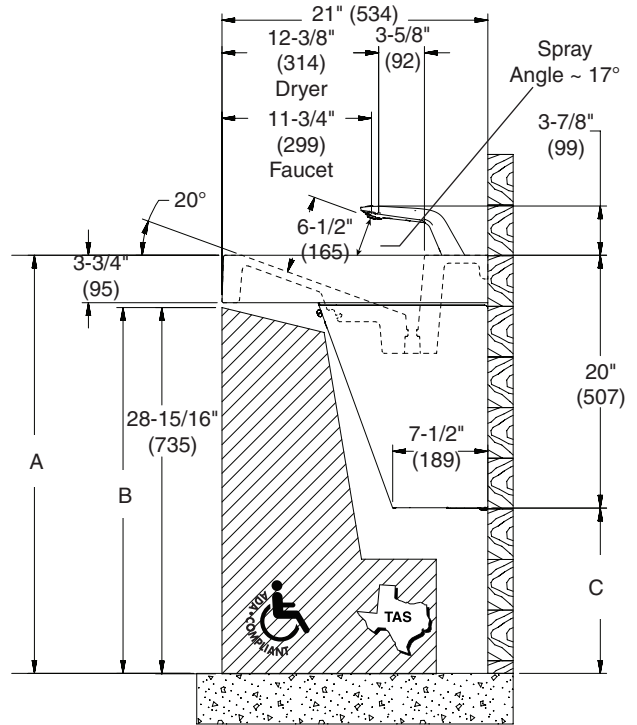
Dimensions for LVQD3 Wash Basin

(mm)

Side View



Side View - Canadian Standards



	ADA/TAS Standard Height	ADA/TAS Juvenile Height (Children 6-12 years)
Dim A	33-1/2" (851mm)	30-1/2" (775mm)
Dim B	27" (686mm)	24" (610mm)
Dim C	13-1/2" (343mm)	10-1/2" (267mm)

	CSA Standard Height
Dim A	33-1/2" (851mm)
Dim B	29-29/32" (760mm)
Dim C	13-1/2" (343mm)



Structural Rough-Ins for LVQD3 Wash Basin



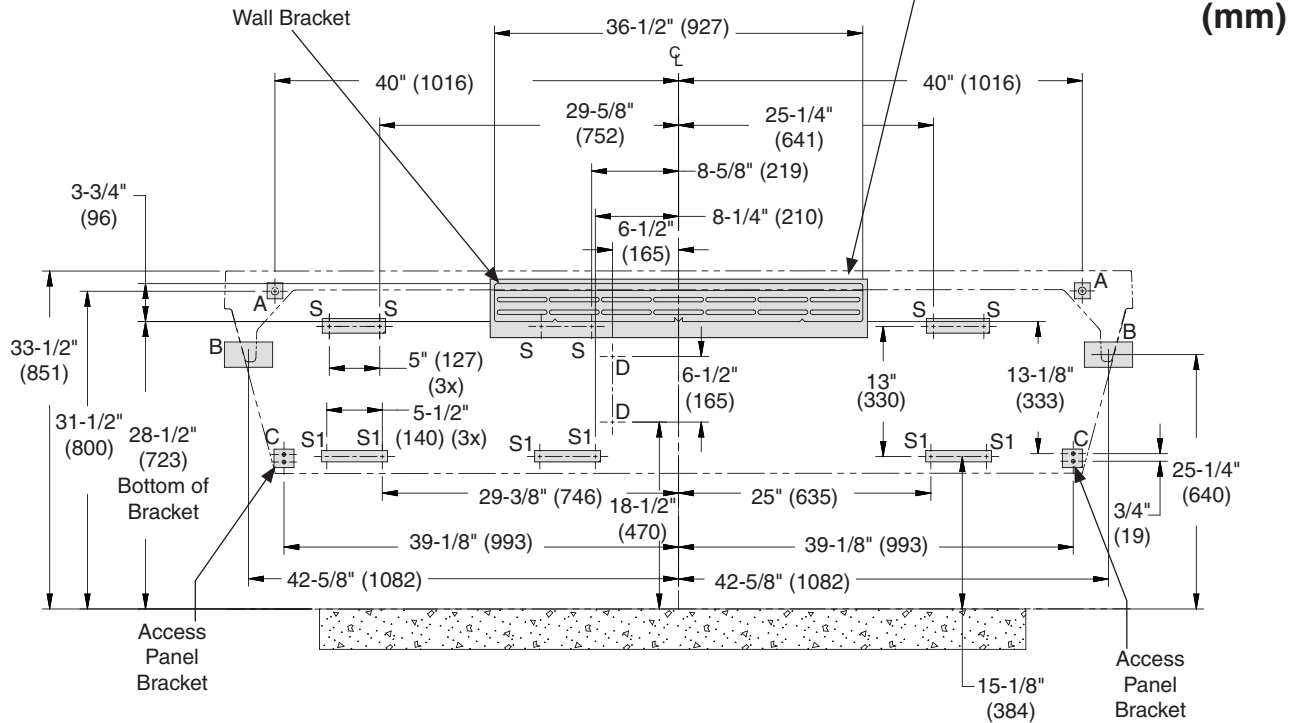
Mounting for Standard, ADA and TAS height shown.



Points A, B and C require sufficient backing compliant with local building codes.

⚠ WARNING Ensure bowl is completely seated in the wall bracket and securely fastened to the wall at point A.

Secure bracket to wall using min. (2) 3/8" anchor bolts to the left of C/L and min. (2) 3/8" anchor bolts to the right of C/L. The (2) anchor bolts to the right of C/L must be min. 16" apart from the anchor bolts to the left of C/L. When mounting is complete, check to ensure the bracket is level. See Step 1: Bracket Mounting for more information.



CODE	DESCRIPTION	QTY.
A	Install (1) 3/8" wall anchor with a minimum pull-out force of 1,000 lbs. per local codes at locations shown	2
B	Provide structural backing compliant with local building codes.	2
C	Install wall anchor with a minimum pull-out force of 100 lbs. per local codes at locations shown	2
S	#10 Wall Anchors for Soap Control Box Bracket	2
S1	#10 Wall Anchors for Soap Tank Bracket (100 lb pull out)	2

RIM HEIGHT	VERTICAL HEIGHT ADJUSTMENTS	FIXTURE STYLE
33½"	No Adjustment	Standard Height, ADA, TAS and CSA
30½"	Subtract 3"	Juvenile, ADA and TAS



LVQD3

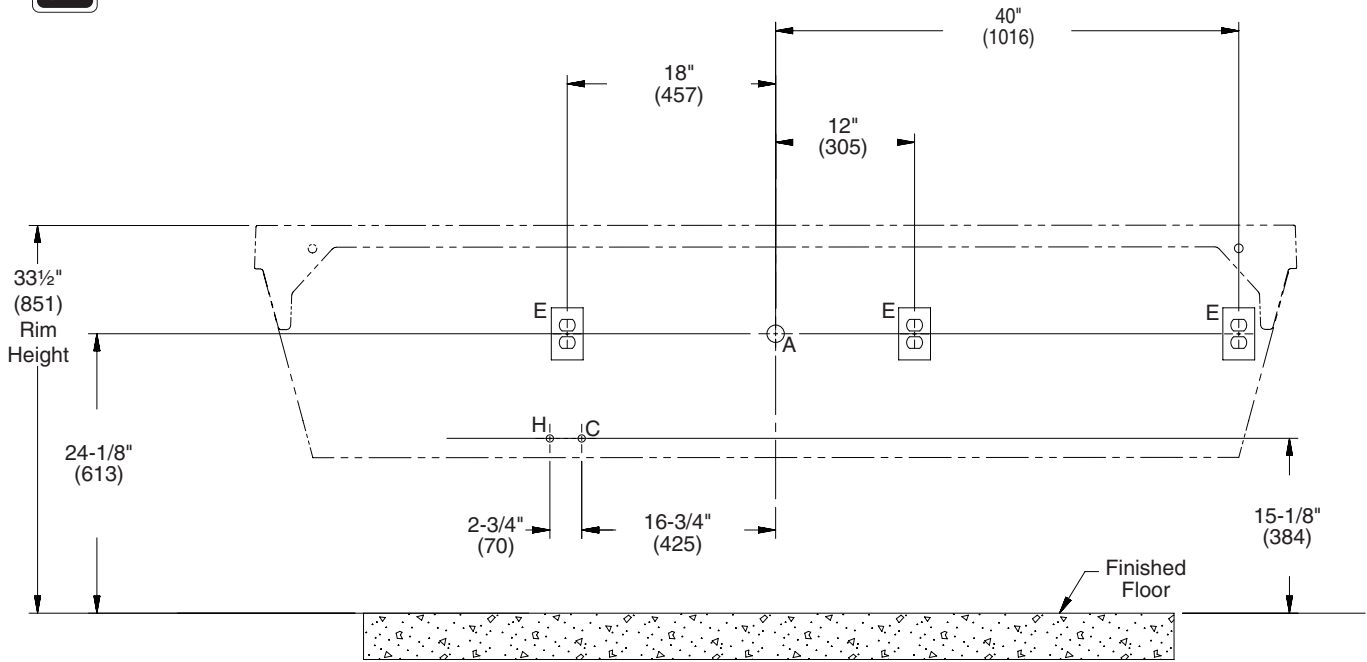
Verge® with WashBar™ Technology – LVQ-Series

Plumbing and Electrical Rough-Ins for LVQD3 Wash Basin

(mm)



Mounting for Standard, ADA and TAS height shown.



CODE	DESCRIPTION	QTY.
A	1 1/2" NPT Drain, Stub-out 2" from wall	1
H,C	1/2" Nominal (5/8" O.D. Comp.) Hot/Cold supplies, Stub-out 2" from wall	1
E	110V GFI protected electrical outlet (20 amp circuit)	3