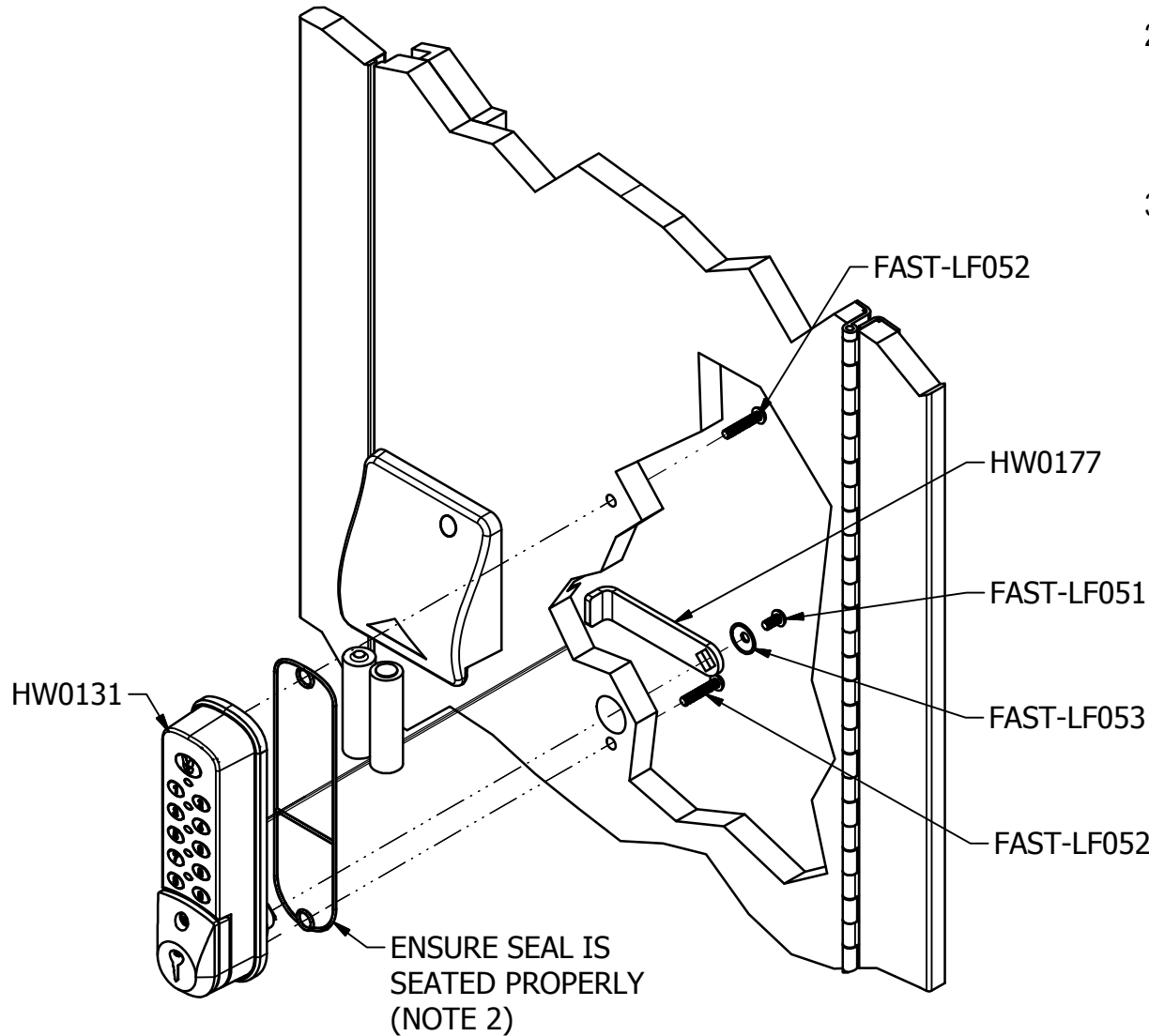


RIGHT HINGED DOOR

STANDARD DCL INSTALLATION INSTRUCTIONS

1. INSERT BATTERIES INTO THE BACK OF THE LOCK
2. LINE UP LOCK WITH THE PRE-DRILLED MOUNTING HOLES AS SHOWN, VERIFY RUBBER SEAL IS SEATED PROPERLY, THEN USE (2) FAST-LF052 TO SECURELY MOUNT THE LOCK TO THE DOOR
3. POSITION THE LOCK CAM (HW0177) SO THAT THE BENT EDGE FACES AWAY FROM THE HINGE AND DOWNWARD INTO THE CAM POCKET. SECURE TO THE LOCK USING (1) FAST-LF053 AND (1) FAST-LF051 AS SHOWN



(COMPONENTS SHOWN MAKE UP KIT# HW0204 - STANDARD DCL LOCK)
 (ADA VERSION NOT SHOWN; INSTALLS THE SAME; KIT# HW0206)

DATE	REV	DESCRIPTION	ECN	ENG
9/21/16	C	UPDATED INSTRUCTIONS TO REFLECT SINGLE DCL LOCK TYPE	16-13-007	JLG
10/07/15	B	UPDATED INSTRUCTIONS TO REMOVE (1) FAST-LF052 AND SHOW NEW WET LOCK SEALS	15-13-011	EET
01/08/15	A	ENGINEERING RELEASE	15-13-003	EET

REVISION HISTORY

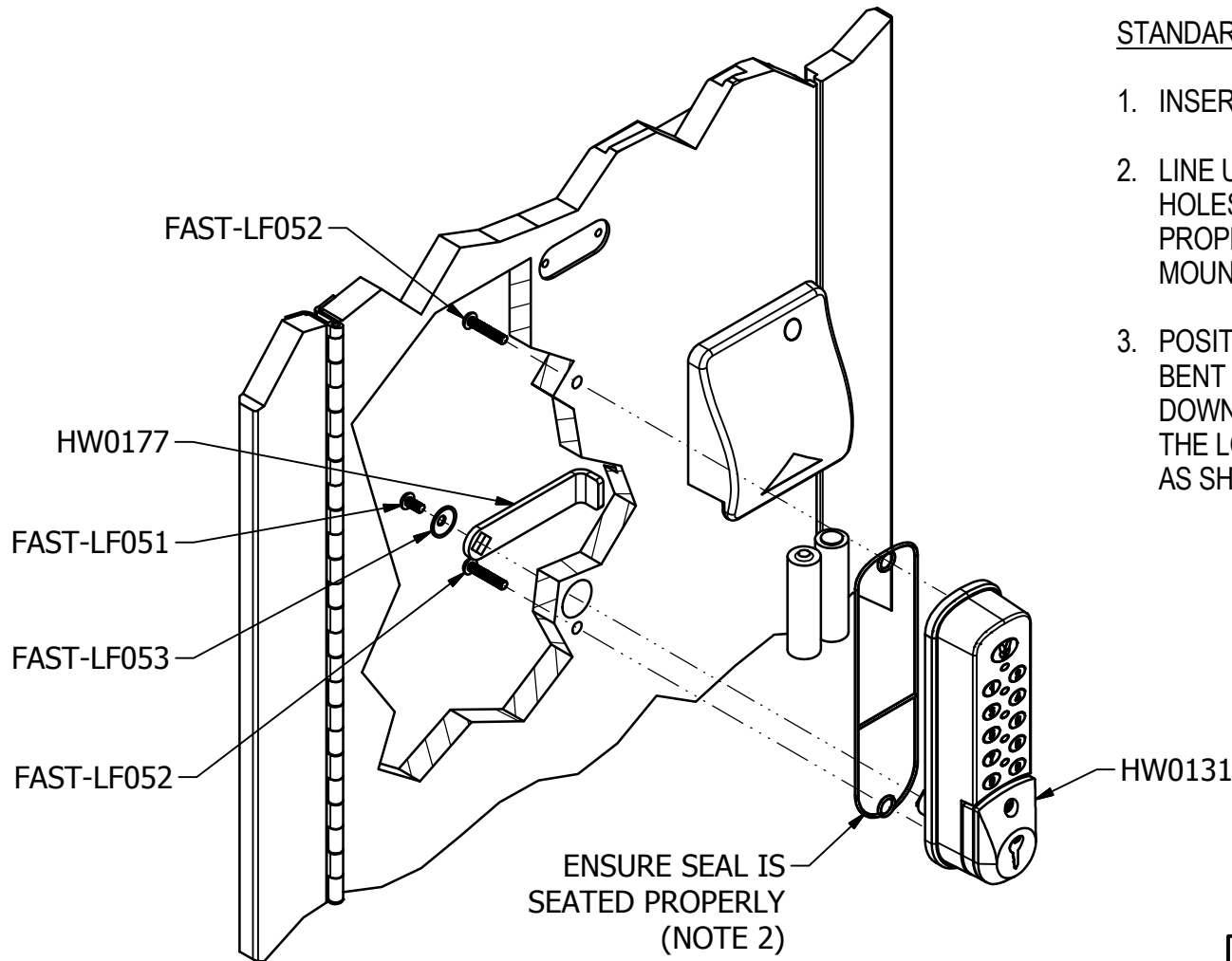
THIS PRINT CONTAINS INFORMATION THAT IS PROPRIETARY. DISCLOSURE OF ANY INFORMATION ON THE DOCUMENT CANNOT BE MADE WITHOUT WRITTEN PERMISSION OF BRADLEY CORPORATION.

A subsidiary of **Bradley**

TOLERANCES UNLESS OTHERWISE SPECIFIED		DRAWN BY:	
FRACTIONS ± 1/32	ALL THREADS TO BE CLASS 2 ALL FINISH NUMBERS ARE RMS DO NOT SCALE DRAWING	DATE: 9/22/2016	
3 PLACE ± .020		SCALE: NTS	
2 PLACE ± .03		REF.: 15-13-003	
1 PLACE ± .1		FIRST ON:	
ANGLES ∠ ± 3'			

MATERIAL:	
NAME: DWG-DCL LOCK INSTALLATION	
DWG. NUMBER:	RD0085
SHEET	1 OF 2


LEFT HINGED DOOR



(COMPONENTS SHOWN MAKE UP KIT# HW0204 - STANDARD DCL LOCK)
(ADA VERSION NOT SHOWN; INSTALLS THE SAME; KIT# HW0206)

STANDARD DCL INSTALLATION INSTRUCTIONS

1. INSERT BATTERIES INTO THE BACK OF THE LOCK
2. LINE UP LOCK WITH THE PRE-DRILLED MOUNTING HOLES AS SHOWN, VERIFY RUBBER SEAL IS SEATED PROPERLY, THEN USE (2) FAST-LF052 TO SECURELY MOUNT THE LOCK TO THE DOOR
3. POSITION THE LOCK CAM (HW0177) SO THAT THE BENT EDGE FACES AWAY FROM THE HINGE AND DOWNWARD INTO THE CAM POCKET. SECURE TO THE LOCK USING (1) FAST-LF053 AND (1) FAST-LF051 AS SHOWN

		THIS PRINT CONTAINS INFORMATION THAT IS PROPRIETARY. DISCLOSURE OF ANY INFORMATION ON THE DOCUMENT CANNOT BE MADE WITHOUT WRITTEN PERMISSION OF BRADLEY CORPORATION.	
A subsidiary of Bradley			
REVISION: C	DATE: 9/22/2016	SCALE: NTS	
DWG. NUMBER: RD0085			SHEET 2 OF 2