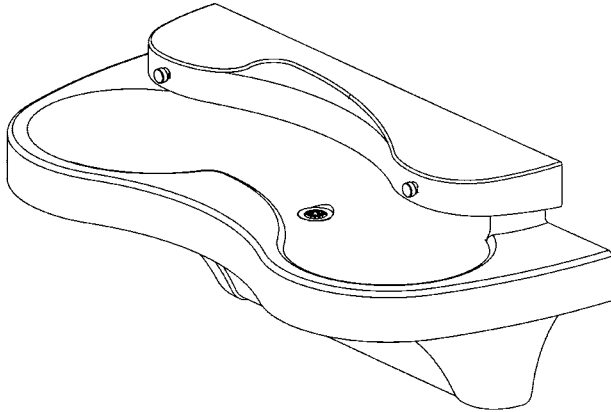


# Installation



**MG-2/TT**

**Express® Lavatory  
System - MG-Series  
with TouchTime® Control**



## Table of Contents

Pre-Installation Information . . . . .	2
Dimensions . . . . .	3-4
Installation Instructions . . . . .	5-13
Cleaning and Maintenance . . . . .	14
Assembly of Components . . . . .	15-17
Solenoid Valve Troubleshooting . . . . .	18-19
Navigator® Valve Maintenance . . . . .	20

### IMPORTANT

**Read this entire installation manual to ensure proper installation.**

**Flush all the water supply lines before making connections.**

**Wall anchors used must have a minimum pull-out rating of 1,000 lbs.**

**File these instructions with the owner or maintenance department.**

**Product warranties may be found under “Product Information” on our web site at [www.bradleycorp.com](http://www.bradleycorp.com).**

## Pre-Installation Information

### Barrier-free and ADA compliant - standard height mounting

The MG-2/TT Express® Lavatory System must have a rim height no higher than 34" above finished floor to be compliant with Americans with Disabilities Act (ADA). When mounted at 34" rim height, the MG-2/TT Express® Lavatory System meets ADA, ANSI and UFAS requirements for barrier-free clearances, reaches and controls. Always check local codes and ordinances for compliance.

### Barrier-free and ADA compliant - juvenile height mounting

The MG-2/TT Express® Lavatory System must have a rim height no higher than 30" above finished floor to be compliant with Americans with Disabilities Act (ADA) Accessibility Guidelines for Buildings and Facilities: Building Elements Designed for Children's Use; Final Rule.

### Texas Accessibility Standards compliant:

The MG-2/TT Express® Lavatory System meets Texas Accessibility standards (TAS) for barrier-free clearances, reaches and controls. Always check local codes and ordinances for compliance.

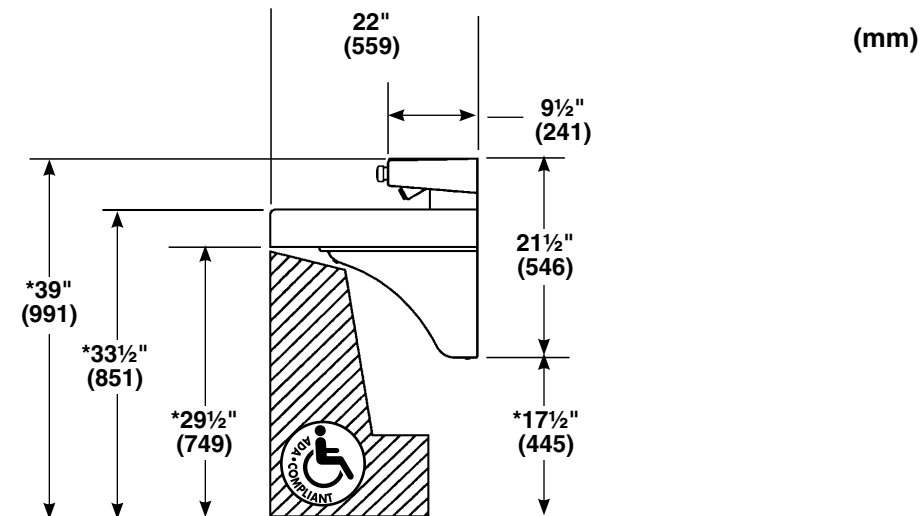
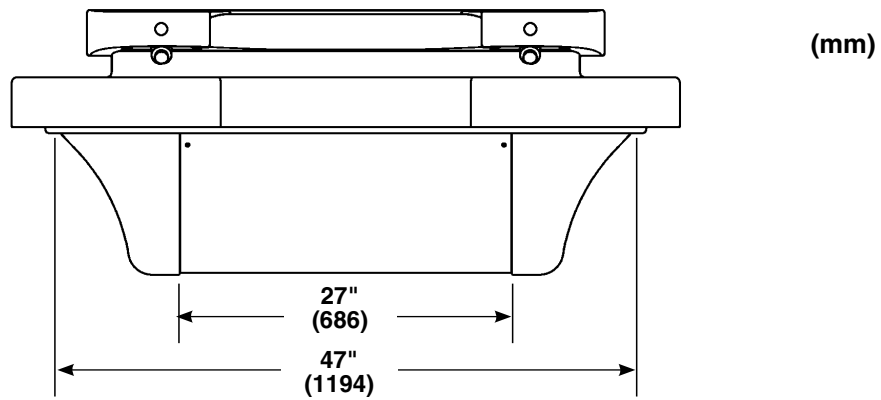
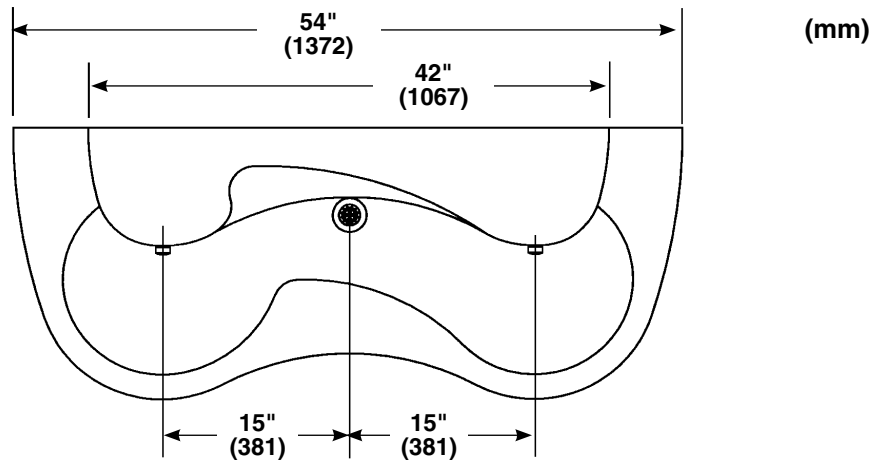
### TouchTime® switch and solenoid

Each sprayhead is controlled by a TouchTime® switch, enabling each user to activate a single flow of water. Each valve uses less than half the maximum of hot water allowed by the ANSI/ASHRAE/IESNA 90.1-1989 Standard.

### Supplies required for installation:

- (8) 3/8" wall anchors, bolts and washers to mount frame and bowl to wall (minimum pull-out rating of 1,000 lbs.)
- 1/2" Nominal copper tubing for hot and cold supplies and 1 1/2" NPT drain piping
- 110 volt electrical outlet for 110/24 VAC plug-in transformer (supplied)
- 240/208-volt or 277-volt electrical outlet for optional electric tankless water heater

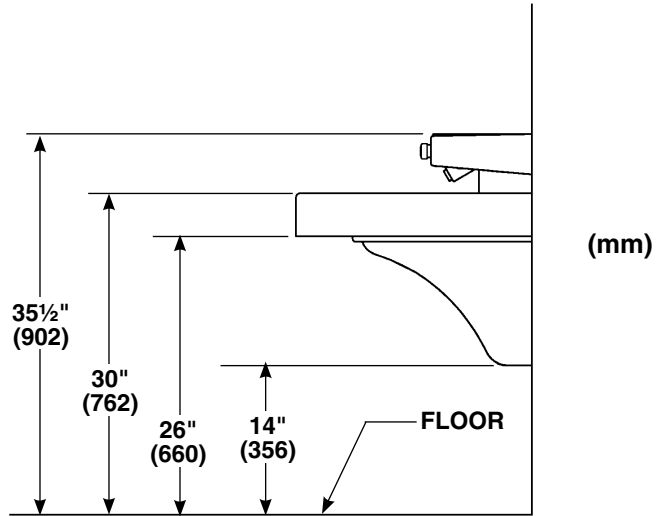
# MG-2/TT Express® Lavatory System Dimensions



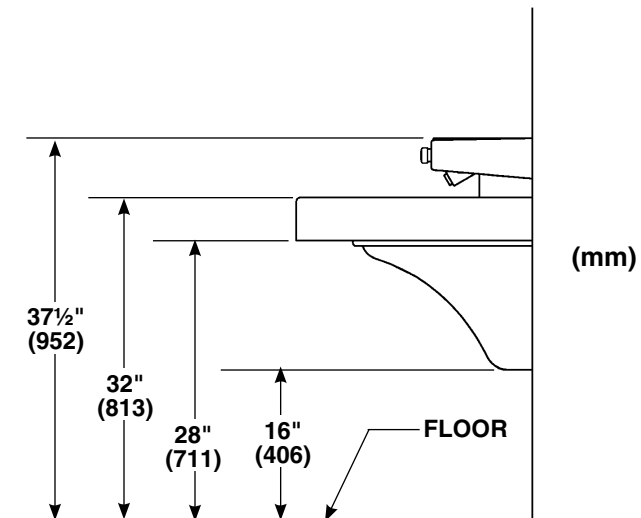
\*Subtract 4" from vertical dimensions for compliance with ADA guidelines for children's use.

### Dimensions *continued* . . .

#### TAS Juvenile Height Grades Pre-K thru 5 or 6



#### TAS Juvenile Height Grades 6 thru 8 or 9



# Installation Instructions

## Step 1: Rough in supplies and optional hot water heater

NOTE: See Figure 1 (below), 1a, 1b (for TAS on page 6) and Figure 2 (on page 7) when roughing in the MG-2/TT Express®.



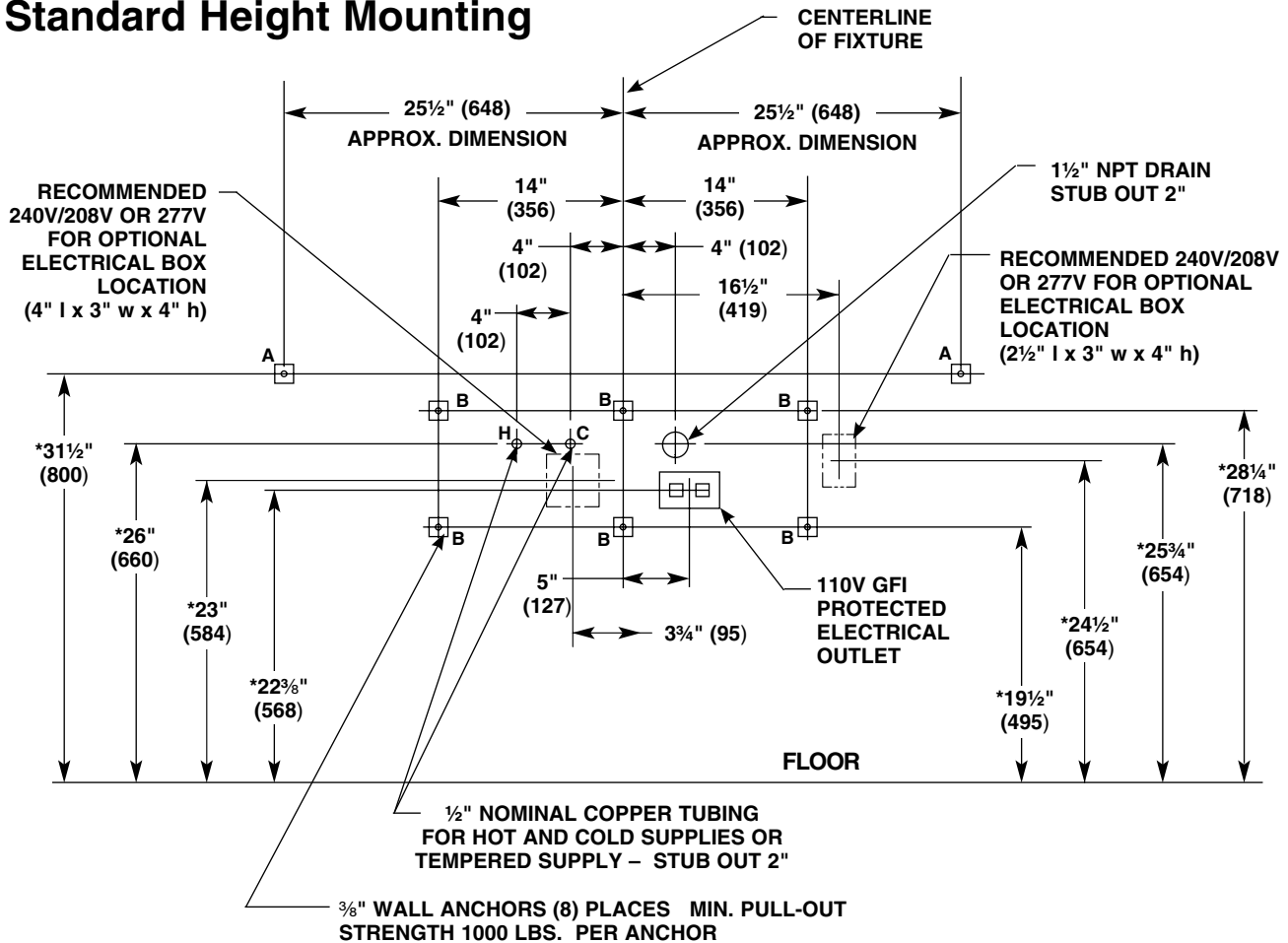
**IMPORTANT:** Flush the supply lines before making connections. Debris in supply lines will cause the valves to malfunction.



**IMPORTANT:** Dimensions shown in Figure 1 are for Standard Height Mounted MG-2/TT Express®.

1. Rough in 1/2" nominal copper tubing for hot and cold supply lines through wall at dimensions shown.
2. Rough in 1 1/2" NPT drain waste connection through wall at dimensions shown.
3. OPTIONAL HOT WATER HEATER: Rough in appropriate electrical supply per local code (recommended 240/208-volt or 277-volt electrical box location shown below).

## Standard Height Mounting



### \* Juvenile Height Mounting:

Subtract 4" from vertical dimensions for compliance with ADA guidelines for children's use.

Figure 1

TAS - Texas Accessibility Standards:  
 Juvenile Height (grades Pre-K thru 5 or 6)

RECOMMENDED 240V/208V OR 277V FOR OPTIONAL ELECTRICAL BOX LOCATION (4" l x 3" w x 4" h)

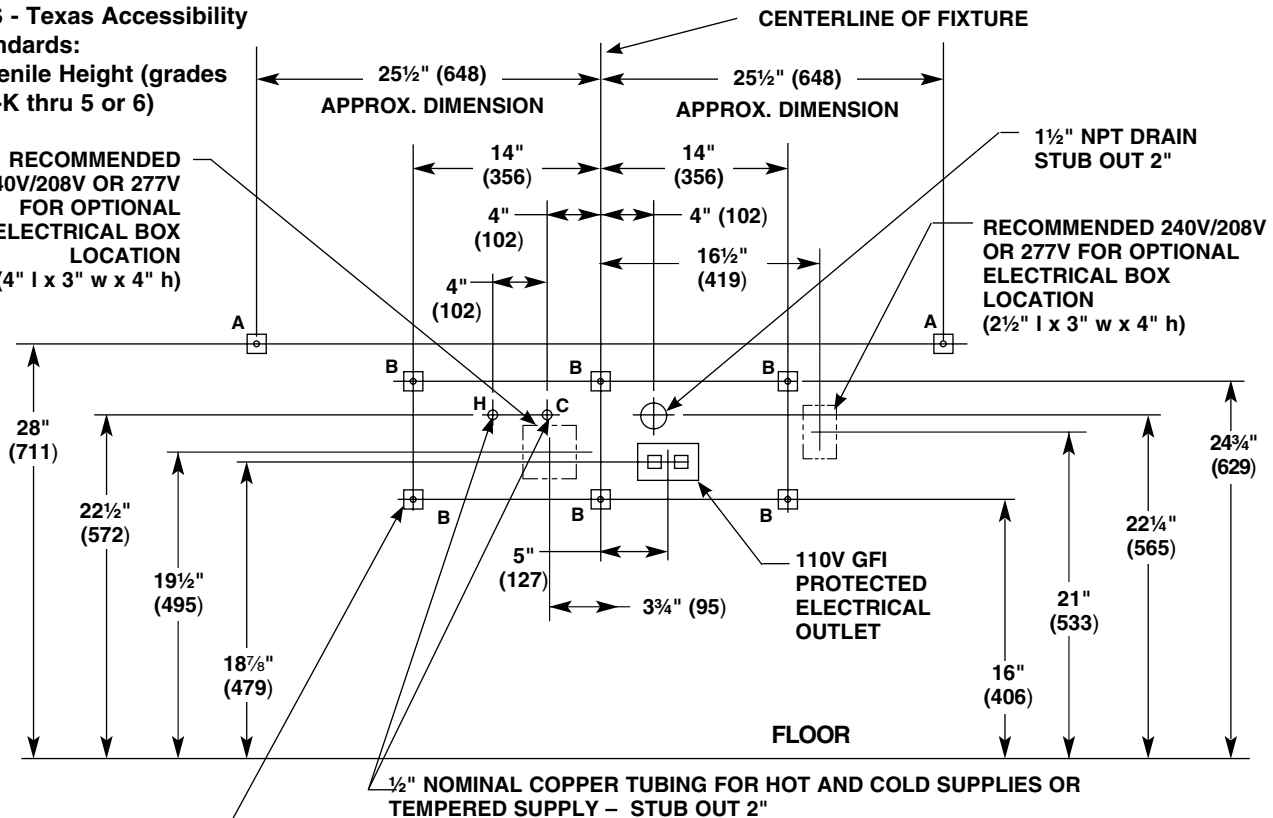


Figure 1a

TAS - Texas Accessibility Standards:  
 Juvenile Height (grades 6 thru 8 or 9)

RECOMMENDED 240V/208V OR 277V FOR OPTIONAL ELECTRICAL BOX LOCATION (4" l x 3" w x 4" h)

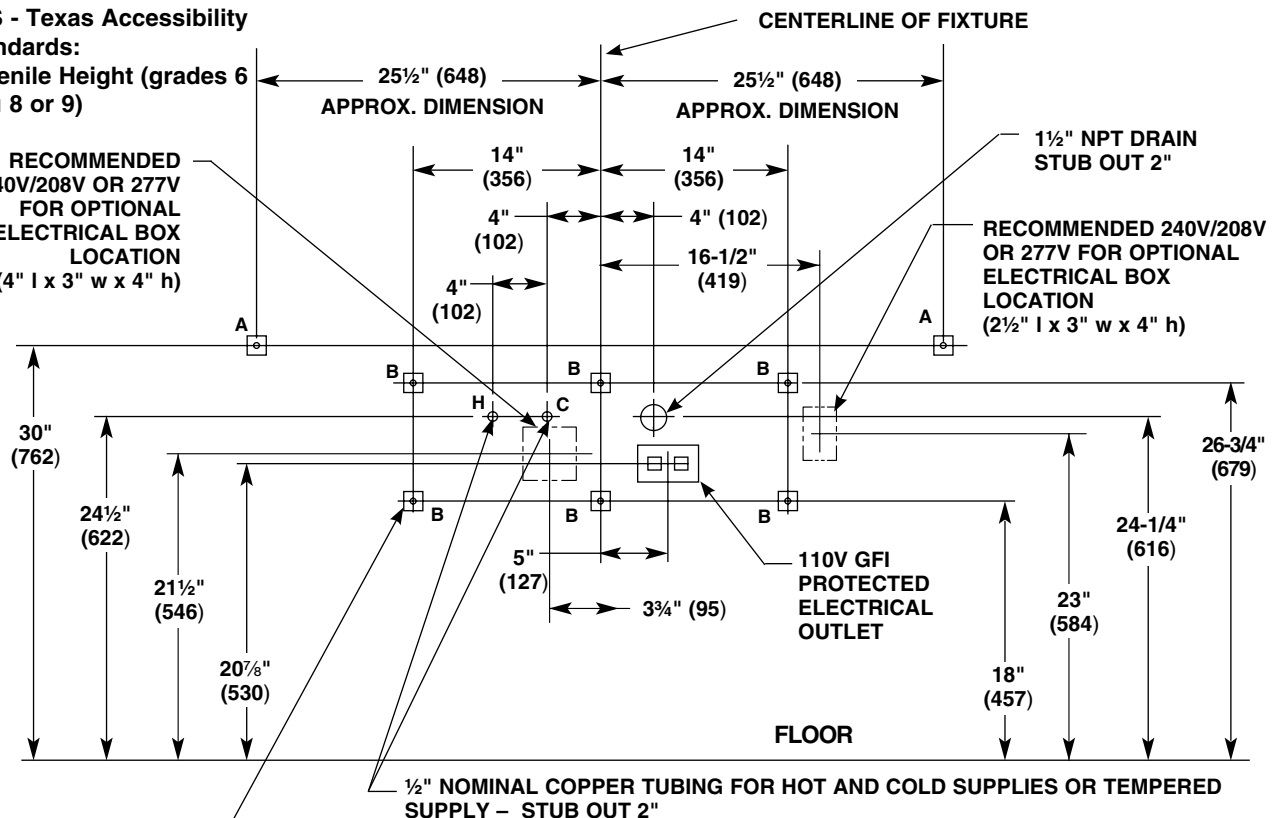


Figure 1b

## Installation Instructions *continued* . . .

### Step 2: Rough in wall anchors and electrical outlet



**IMPORTANT:** Turn OFF electrical power to the outlet when installing the Express® Lavatory System.

1. Install a 110 volt GFI protected electrical outlet per local code at the location shown in Figure 2.
2. Install six  $\frac{3}{8}$ " wall anchors with a minimum pull-out rating of 1,000 lbs. (supplied by installer) at the locations marked (ref. location "B" shown in Figure 1, 1a or 1b on pages 5-6).

*NOTE:* The dimensions for the wall anchors at location "A" are for reference only.

3. On the back of the bowl, measure the distance between the  $\frac{3}{4}$ " bowl mounting holes. Divide this measurement in half. Measure and mark this dimension on the wall to the left of the centerline and to the right of the centerline. Install two  $\frac{3}{8}$ " wall anchors with a minimum pull-out rating of 1,000 lbs. (supplied by installer) at the locations marked (ref. location "A" shown in Figure 1, 1a or 1b on pages 5-6).

*NOTE:* The anchors will be used to mount the Express® MG-2/IR bowl and frame to the wall.

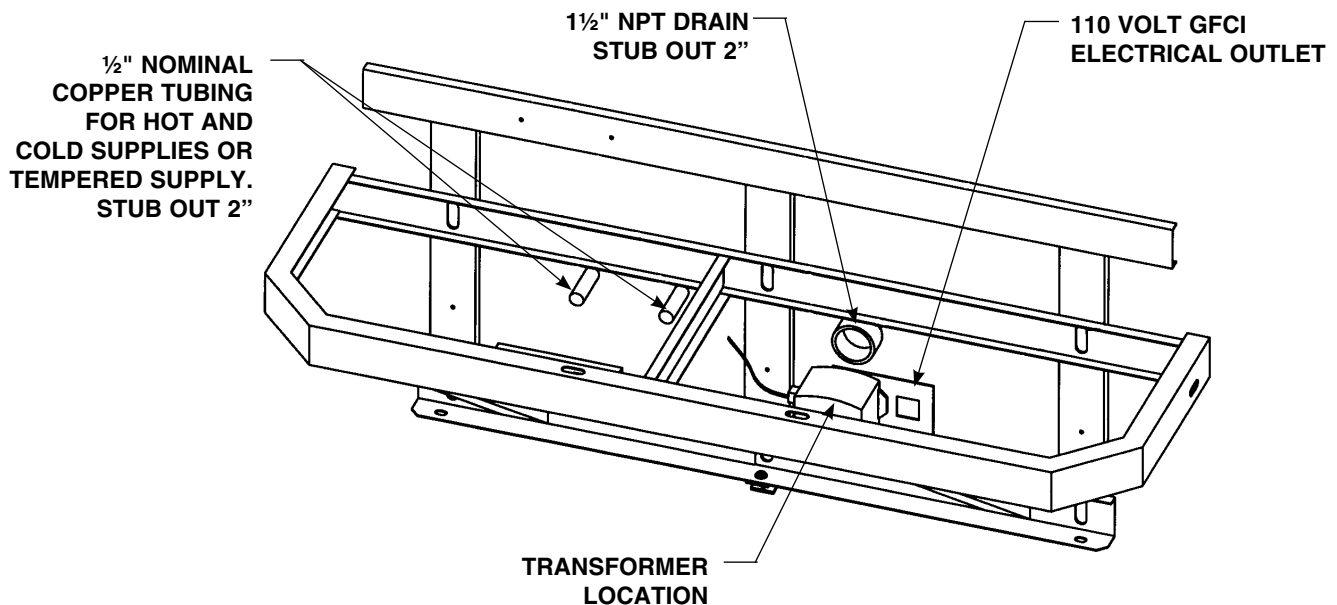


Figure 2

## Installation Instructions *continued* . . .

### Step 3: Mount frame to wall

1. Loosen, but do not remove the three bottom access panel screws.
2. Remove the two top access panel screws and washers securing the access panel to the frame and remove the access panel (see Figure 3).
3. Position the frame with Terreon® End Caps attached, against the wall, ensuring that it is level.



**IMPORTANT: Anchoring the frame to a wall that is *not* flat may cause the frame to bend. If necessary, install shims to compensate for wall distortion.**

4. Ensure that the back of the frame is flat against the wall. If wall is not flat, insert shims behind the frame to ensure that it will not bend when anchored.
5. Once you have positioned the frame such that it is level and flat against the wall or shimmed, use the  $\frac{3}{8}$ " bolts and washers to mount the frame to the wall.

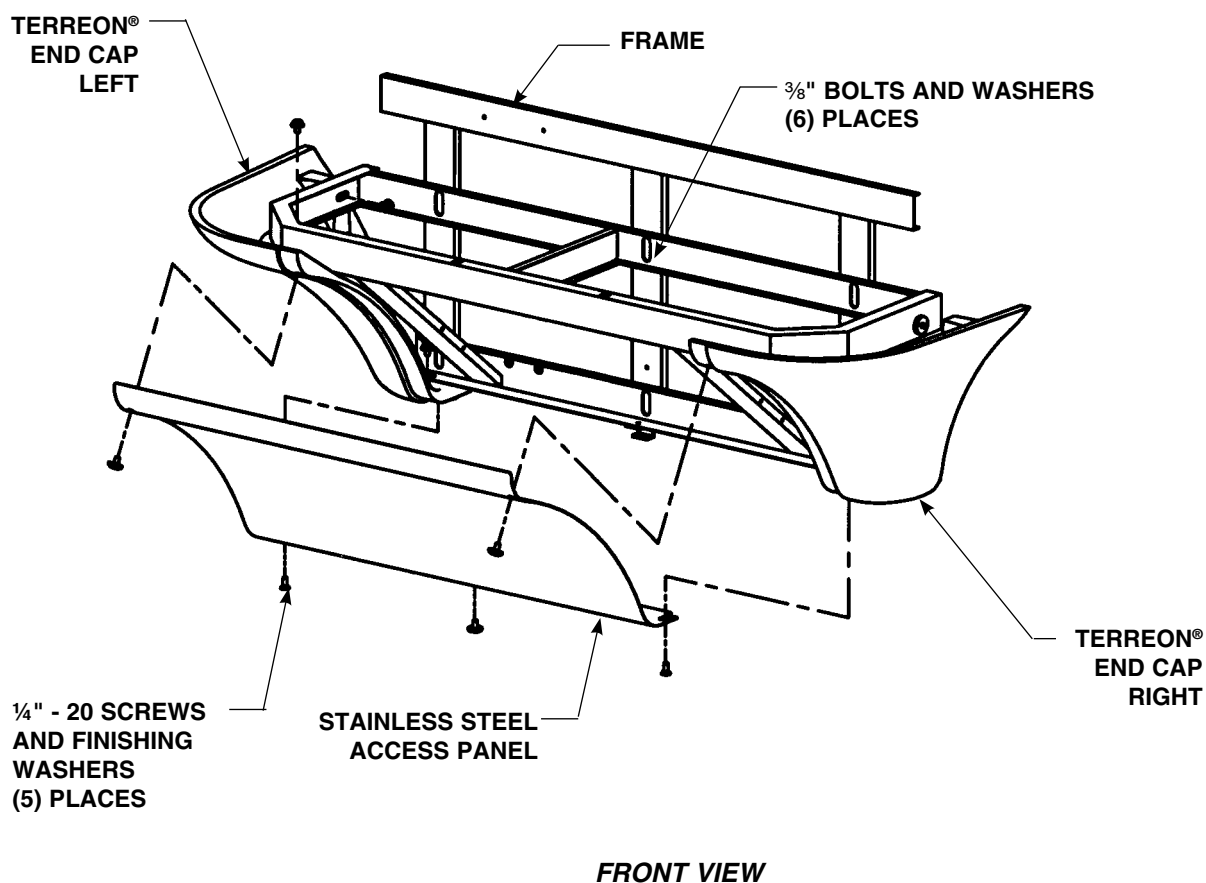


Figure 3



## Installation Instructions *continued* . . .

### Step 4: Install bowl assembly

**⚠ IMPORTANT:** See Figure 4 below when installing the bowl assembly. If the fixture has soap option, refer to the soap installation manual 215-1585 before installing the bowl assembly.

1. With someone to assist you, place the bowl assembly squarely onto the frame being careful not to pinch tubing between bowl and frame.
2. Attach the front of the bowl assembly to the frame using the two ¼-20 x ½" pan-head screws and washers provided. **Do not tighten screws at this time.**

**⚠ IMPORTANT:** When bolting the bowl assembly to the wall, do not overtighten the bolts. Overtightening bolts can damage the Terreon® material.

3. After the bowl assembly is attached to the frame, install the two ⅜" bolts and washers (supplied by the installer) to bolt the bowl to the wall anchors. **Do not overtighten bolts.**
4. Tighten the screws installed in procedure #2 above to secure the bowl assembly to the frame. **Do not overtighten.**
5. If necessary, adjust sprayhead body to fit closely to wall by adjusting sprayhead mounting bolts. See Figure 8 on page 14 for sprayhead mounting bolt locations.

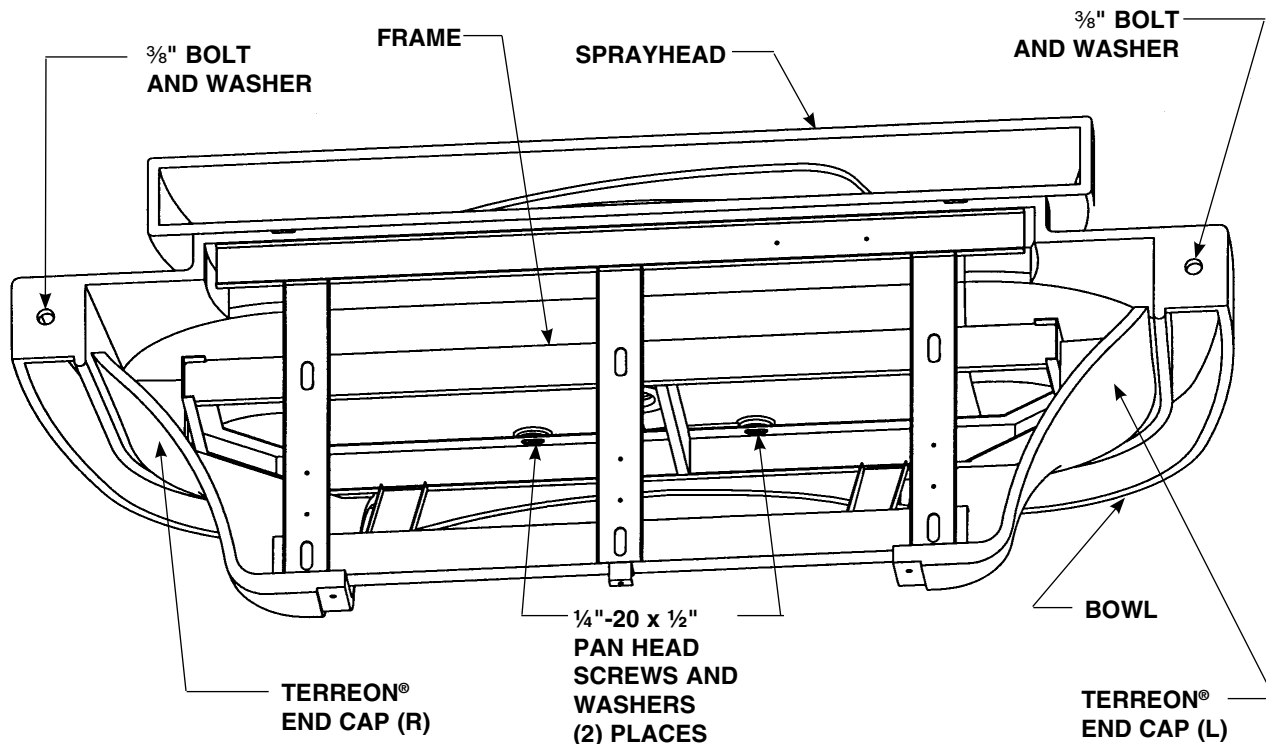


Figure 4

BACK VIEW

## Installation Instructions *continued* . . .

### Step 5: Connecting supply

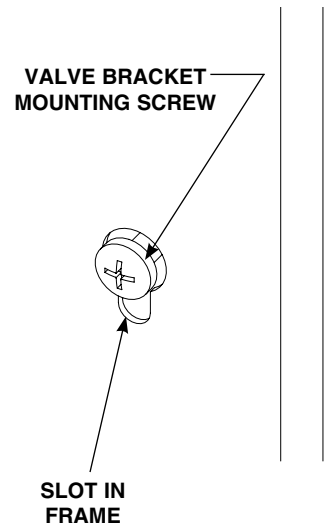
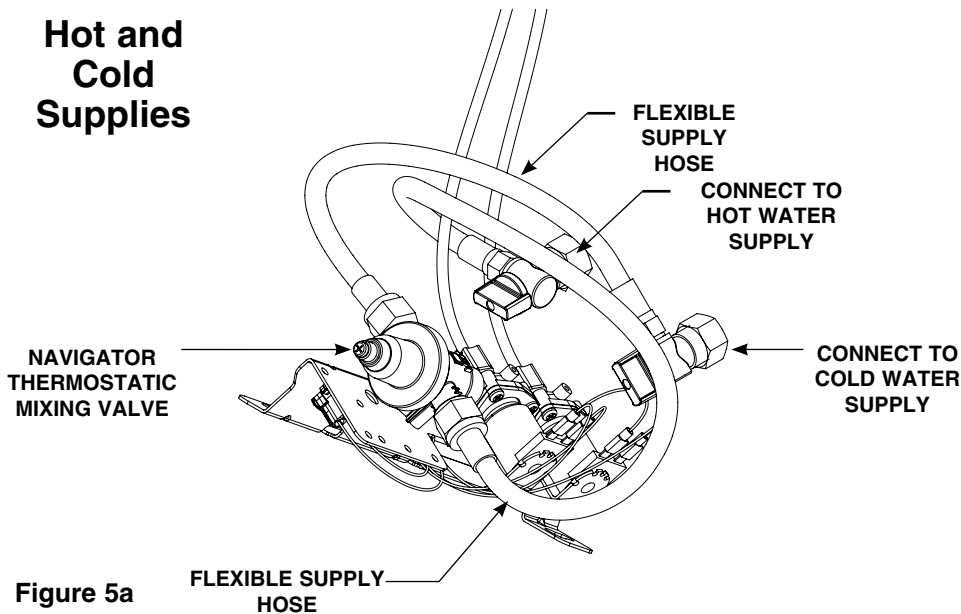
1. Loosen but do not remove the two mounting screws holding the valve bracket to the frame. Slide the valve bracket up until the larger cutout in the frame's slot aligns with the screw head (see Figure 5b). Then lift up to remove the valve bracket from the frame.
2. FOR HOT AND COLD SUPPLY: Attach the stops to the hot and cold water supply piping from the wall. Connect the flexible hoses to the Navigator Mixing Valve and to the stops (see Figure 5a).

*NOTE: The "H" on Navigator Mixing Valve indicates hot water supply inlet.*

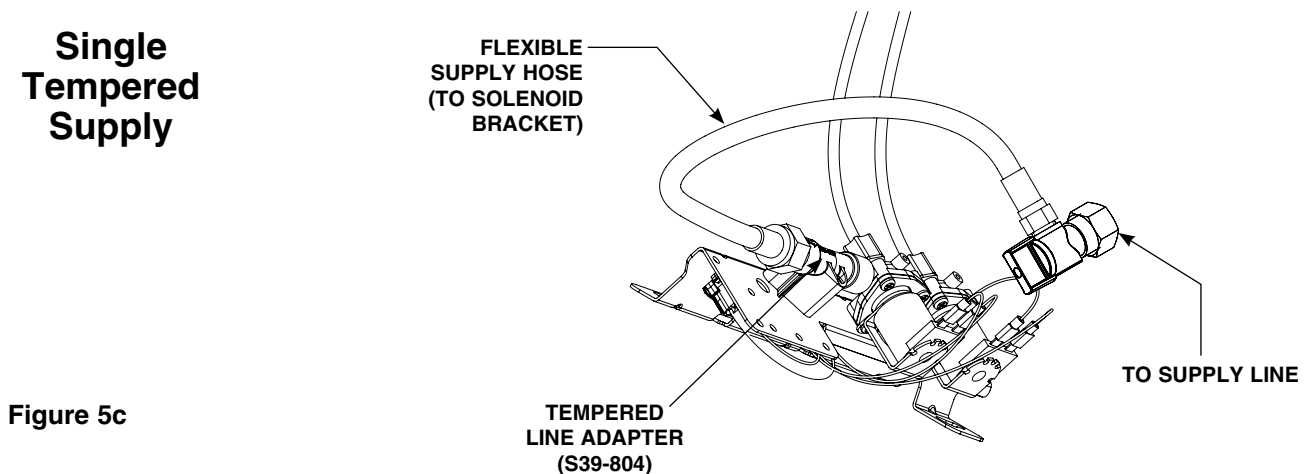
FOR SINGLE TEMPERED SUPPLY: Attach the stop to the 1/2" tempered supply line. Connect the stop to the tempered line adapter with the flexible supply hose (Figure 5c).

3. Assemble the P-trap by connecting the 1 1/2" tubular pipe to the tailpiece and to the 1 1/2" drain pipe stubbed out of the wall.
4. Install the strainer on the drain plug opening inside the bowl, and push the strainer firmly into place. Secure the strainer with the screw provided.

### Hot and Cold Supplies



### Single Tempered Supply

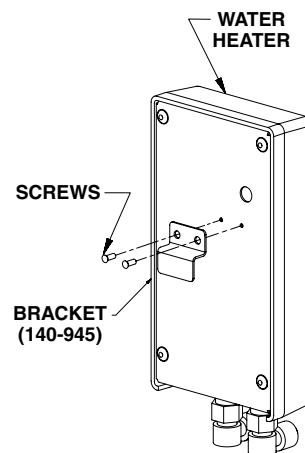


## Installation Instructions *continued* . . .

### Step 6: Connecting optional hot water heater

*NOTE: 240/208 or 277 voltage is required for hot water heater. Refer to the installation manual provided with the hot water heater for further installation information.*

1. Remove the two screws from the back of the water heater. Attach the bracket with the screws as shown in Figure 6a.
2. Hang the water heater on the rear frame member to the right of the vertical frame member (see Figure 6b).
3. Connect the ½" flexible hose from the cold water supply stub-out to the hot water heater inlet.
4. Connect the ½" flexible hose from the hot water heater outlet to the supply inlet on the solenoid valve assembly.



REMOVE (2) SCREWS FROM  
BACK OF WATER HEATER.  
ATTACH BRACKET WITH  
SCREWS AS SHOWN.

Figure 6a

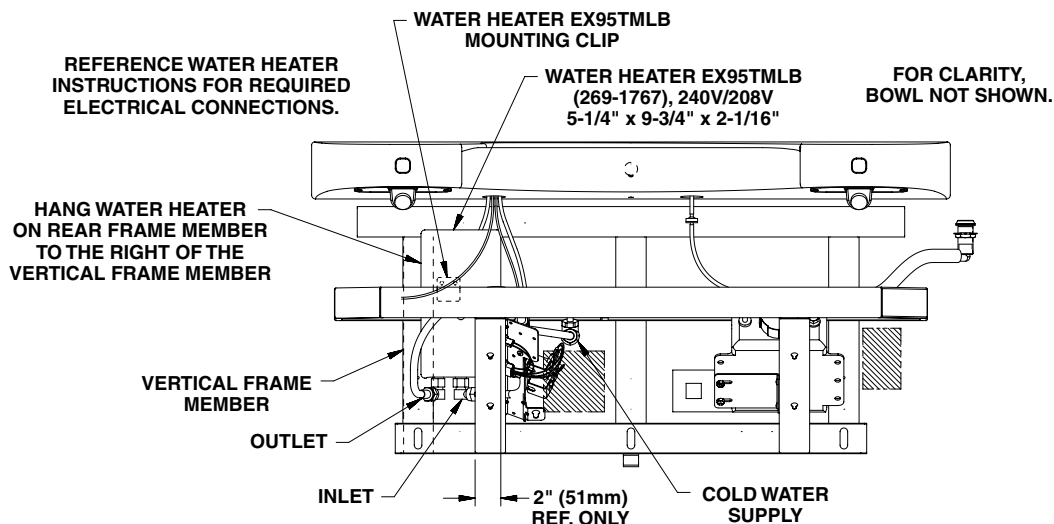


Figure 6b

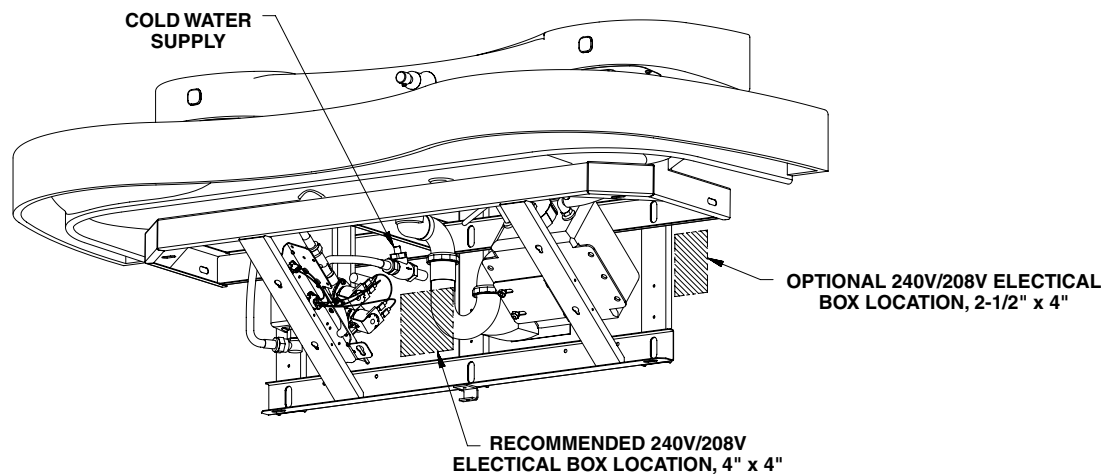


Figure 6c

## Installation Instructions *continued* . . .

### Step 7: Connecting electrical and supply tubing



**WARNING:** MG-2/TT must be connected to 24 VAC Class II plug-in transformer provided.  
Connection to 110 VAC may cause personal injury and/or damage to electronics.  
Connection of leads other than shown may cause permanent damage to the switch.

1. Insert the two sprayhead supply tubes into the two solenoid tube connectors by loosening the compression nut and firmly pushing the tubing into the connector until the tubes are fully seated, then re-tighten the compression nut (hand-tight plus two full turns with a wrench) (see Figure 7).
2. Connect the wires per the wiring diagram shown below.
3. Align the mounting screws with slots on the frame. Valve bracket slides down to lock into place.
4. Turn on the water supply to the MG-2/TT Express® and check for leaks.
5. Turn on the electrical power, trigger the TouchTime® push buttons and check for proper function (the timing is electronically controlled and set at 15 seconds).

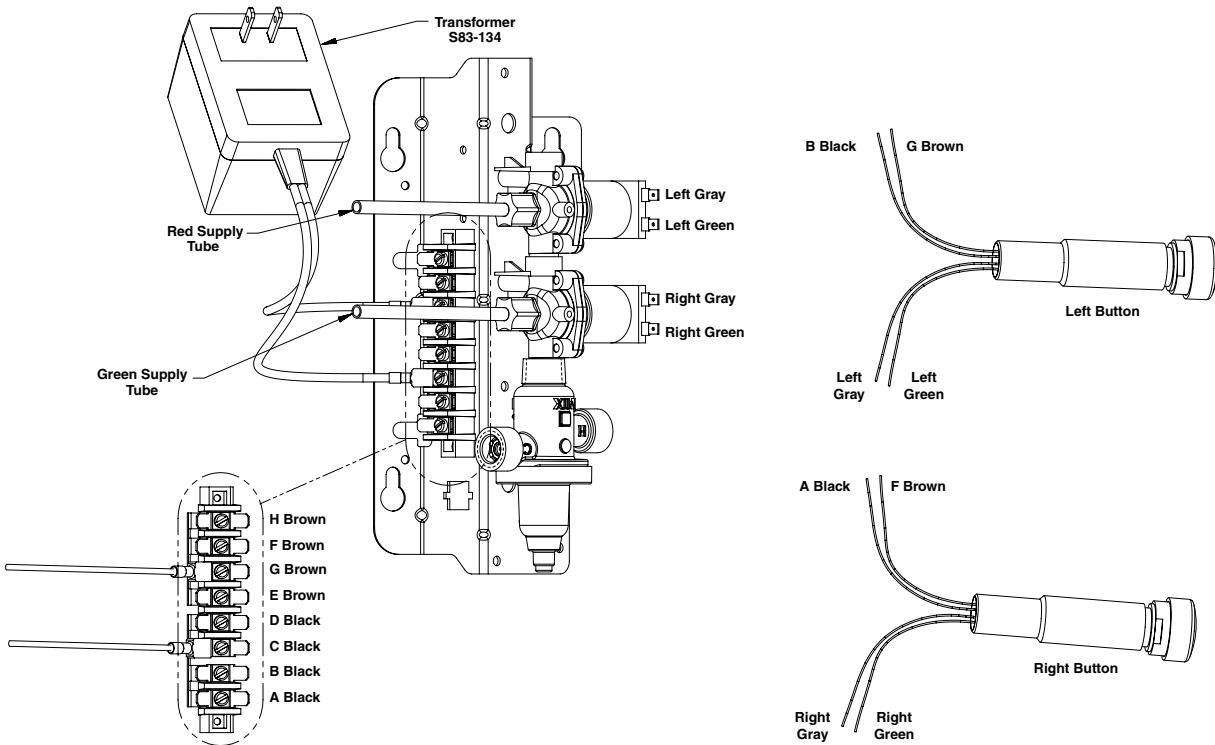


Figure 7

## Installation Instructions *continued* . . .

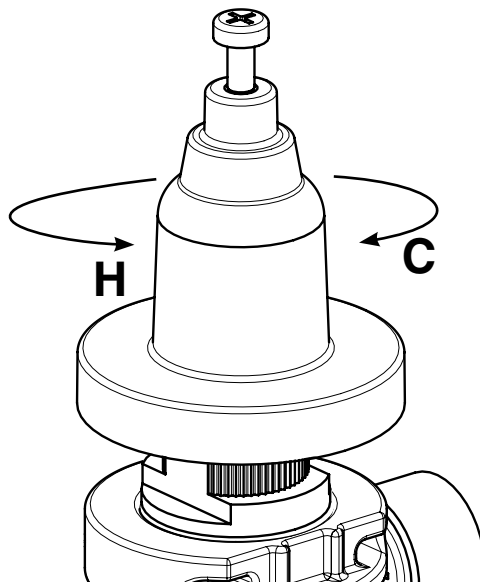
### Step 8: Adjust the temperature



*This valve is NOT factory preset. Upon installation, the temperature of this valve must be checked and adjusted to ensure delivery of a safe water temperature. Water in excess of 110°F (43°C) may cause scalding.*

1. Check the temperature when approximately 1.0 GPM water flow is reached and adjust if necessary (the range of the valve is 95°F–125°F (35°C–52°C)).
2. Loosen Cap Screw about ¼" (4-6 turns) and lift up cover (do not remove).
3. Using cover, turn cartridge gently until desired water temperature is reached. Do not turn past stops as this may damage unit. Push cover down and tighten screw.
4. Reinstall panel to frame with the five Torx-head screws provided (see Figure 3 on page 8).

*NOTE: Push button activation takes place only when released, (prevents "hold open" activation).*



**Figure 8**

## Cleaning and Maintenance Instructions



**IMPORTANT:** Strong alkaline or acid-based chemicals and cleansers should not be used to clean the MG-2/TT Express®. If these chemicals come in contact with the Terreon® surface, wipe off the surface immediately and flush with soapy water. Avoid unnecessary or prolonged contact with hot pans and objects.

### Terreon® and panel maintenance

The bowl, sprayhead and pedestal end caps are made of Terreon®, a solid cast polyester resin material. Terreon® resists chemicals, stains, burns and impact, and is repairable with everyday cleaners or fine-grit abrasives. The panel is made of stainless steel. With regular cleaning, your MG-2/TT Express® will provide years of dependable service.

### Stainless Steel Access Panel cleaning

Stainless steel is extremely durable, and maintenance is simple and inexpensive. Proper care, particularly under corrosive conditions, is essential. Ordinary deposits of dirt and grease are quickly removed with soap and water. Whenever possible, the metal should be thoroughly rinsed and dried after washing. To remove tightly adhering deposits, use stainless steel polishing powder. In all cases, rub in the direction of the stainless steel grain.



**IMPORTANT:** Never use ordinary steel wool or steel brushes on stainless steel. Always use stainless steel wool or stainless steel brushes.

Avoid prolonged contact with chlorides, bromides, thiocyanates, and iodides on stainless steel equipment, especially if acid conditions exist. Do not permit salty solutions to evaporate and dry on stainless steel. The appearance of rust streaks on stainless steel leads to the belief that the stainless steel is rusting. Look for the source of the rust in some iron or steel particles which may be touching, but not actually a part of the stainless steel structure. *NOTE: Strongly acidic or caustic cleaners may attack the steel causing a reddish film to appear. The use of these cleaners should be avoided.*

### Terreon® Bowl, Sprayhead and Pedestal End Cap cleaning



**IMPORTANT:** To sustain original finish, additional care is recommended for dark colored solid surfaces to maintain highest quality color. The original luster can be maintained by periodically applying furniture polish, mineral oil or a solid surface cleaner or polish. For more information on restoring dark colors, see Bradley document #1505. Length of time between applications varies with usage.

- For regular cleaning, use standard commercial or household products such as Formula 409® or Windex®.
- Remove tough stains with Ajax®, Comet® or Soft-Scrub® and a green Scotch-Brite® pad or lightly sand in a circular motion with 240 grit wet/dry sandpaper. The finish can be renewed with a maroon Scotch-Brite® pad.
- Remove scratches with a green Scotch-Brite® pad. The finish can be renewed with a maroon Scotch-Brite® pad. Remove hard water build-up with a mild solution of vinegar and water.
- \* Use of brand names is intended to indicate a type of cleaner and does not constitute an endorsement.
- \*\* It is emphasized that all products should be used in strict accordance with package instructions.
- **Repair kit:** A repair kit is available from Bradley to repair/patch the Terreon® bowl and shelf. Contact your Bradley representative to order a repair kit and be sure to specify color.

## Assembly of Components

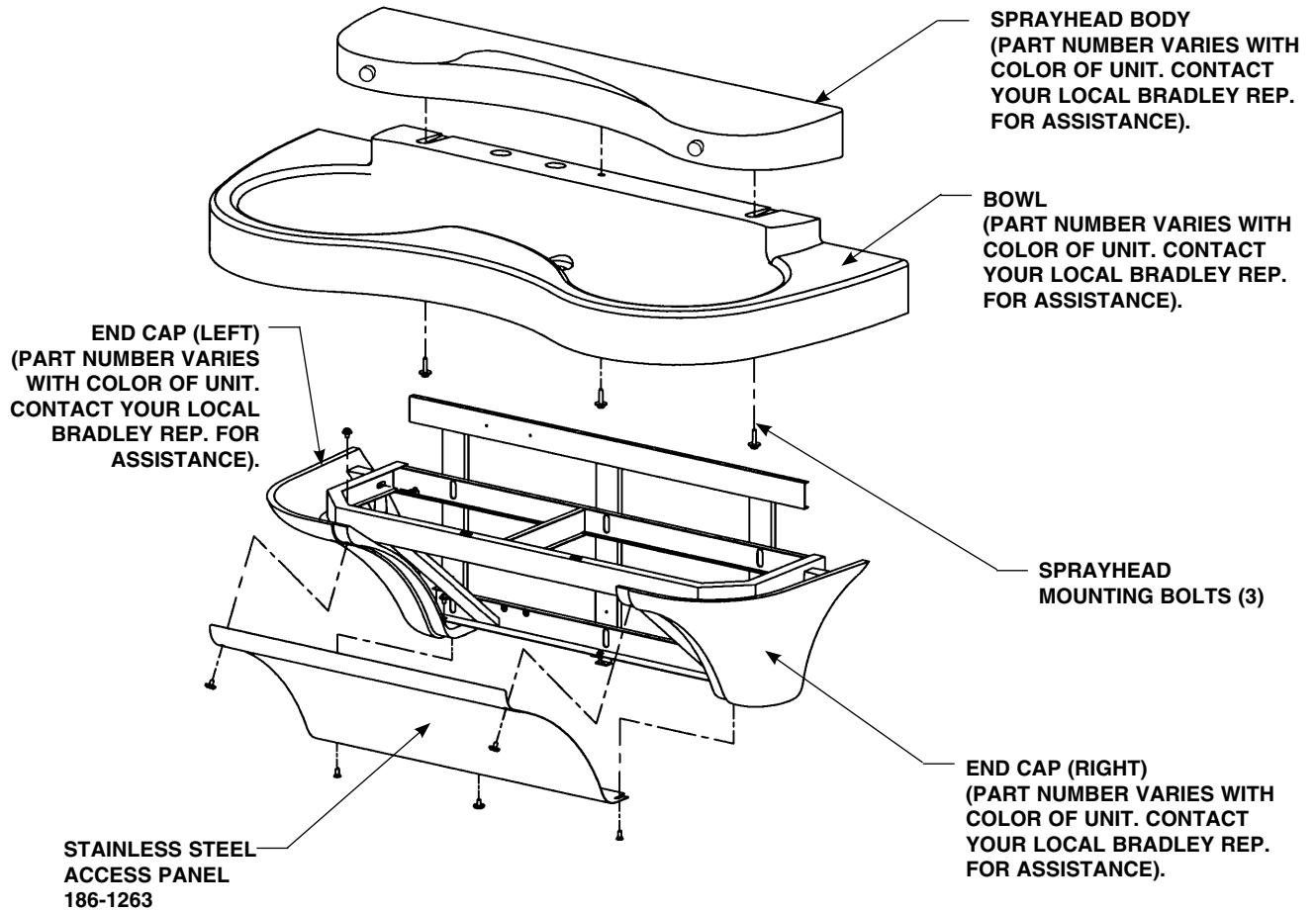


Figure 9

## Assembly of Components *continued* . . .

### Sensor assembly and solenoid valve access

- **To access solenoids:**

Using a  $\frac{5}{32}$ " Allen socket wrench, loosen, but do not remove the three bottom access panel screws. Remove the two top access panel screws and washers securing the panel to the frame and remove the access panel (see Figure 3 on page 8). Solenoids are located on left side of frame (see Figure 10).

- **To remove sprayhead:**

Remove (3) bolts located underside of bowl neck (see Figures 9 and 11). Carefully remove sprayhead from bowl.

- **To access sprayhead/aerator/lens and sensor assembly:**

Remove (2) screws and washers from the access plate assembly using a  $\frac{1}{8}$ " Allen socket wrench. The access plate assembly is located underneath the sprayhead (2) places (see Figure 12 on page 17), the assembly will drop down to access the lens, sensor, and sensor eyes, housing flow control and tube connector.

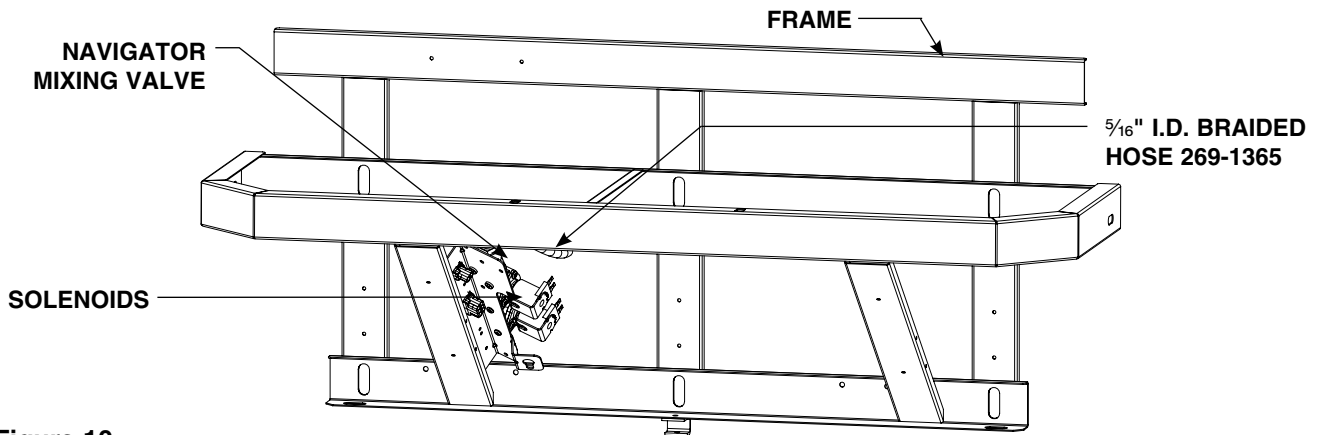


Figure 10

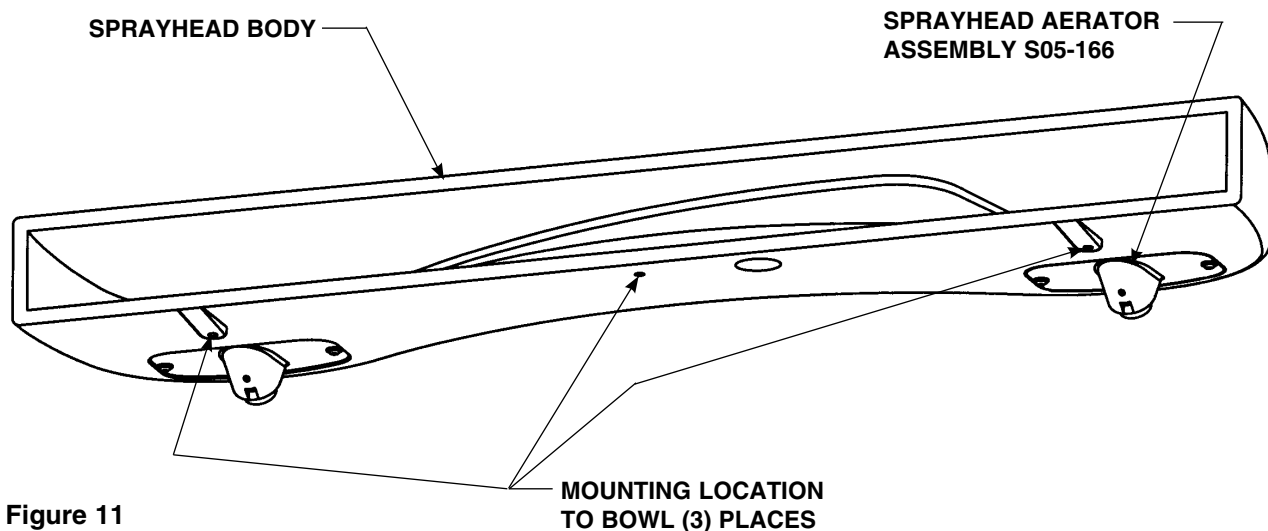


Figure 11



## Assembly of Components *continued* . . .

### TouchTime® and Aerator/Access Plate Assemblies

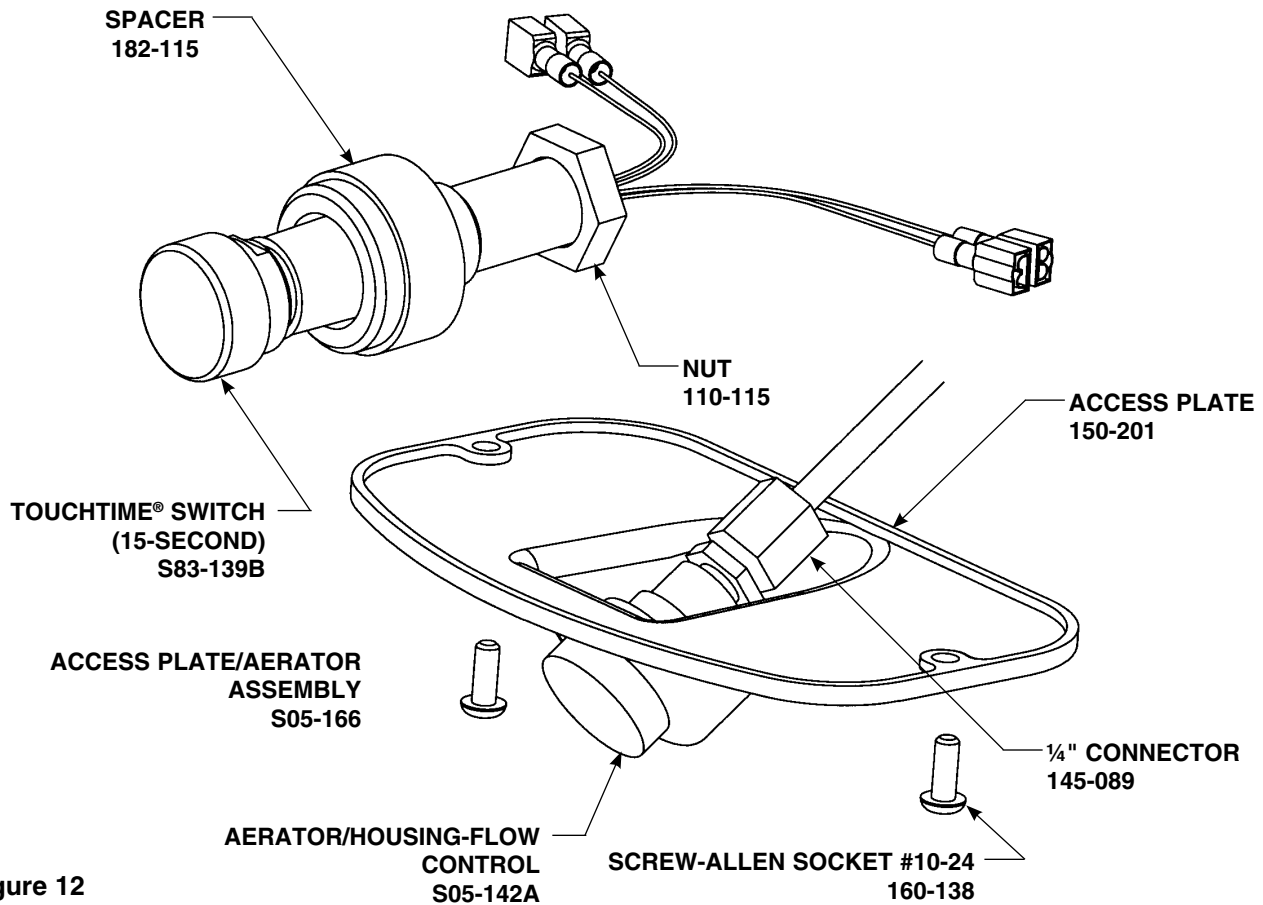
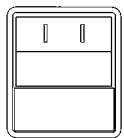


Figure 12

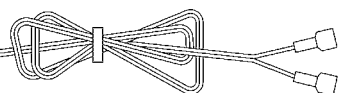
## Other replacement parts

### BOWL MOUNTING HARDWARE

- (4) 1/4"-20 x 1/2" PAN HEAD SCREW 160-389
- (4) 1/4"-20 WASHER 142-002DB

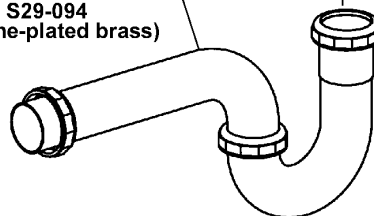


110-24 VAC CLASS II  
PLUG-IN TRANSFORMER  
S83-134



### DRAIN ASSEMBLY

- P-TRAP  
269-1697  
(polypropylene)  
S29-094  
(chrome-plated brass)



- #8-32 SCREW 160-319
- STRAINER P16-075
- DRAIN PLUG P16-072
- 1/8" RUBBER WASHER 125-001DP
- TAILPIECE 129-056

### Troubleshooting – Stop Valve

<b>Problem</b>	<b>Cause</b>	<b>Solution</b>
<b>Water just dribbles or does not flow from sprayhead</b>	<i>Water supply malfunctioning</i>	1. Close the stops and check the valves that supply water to the lavatory system. 2. Inspect the stop valves for proper installation.
<b>Water sprayhead delivers all hot or cold water</b>	<i>Water supply or mixing valve malfunctioning</i>	1. Close the stops and check the valves that supply water to the lavatory system. 2. Inspect the stop valves for proper installation. 3. Inspect mixing valve for proper hot and cold installation. A red marking indicates the hot inlet.

### Troubleshooting Solenoid Valve (VAC)



**CAUTION:** Turn off electrical and water supplies to unit before troubleshooting.

**Problem:** An individual operating station fails to shut off and drips.

**Cause:** There is debris trapped between the diaphragm and the valve seat.

**Solution:** Remove debris between diaphragm and the valve seat.

1. Remove the three #8 Phillips-head screws that hold the solenoid valve assembly together. Be careful not to lose the armature or spring (see Figure 13 on page 19).
2. Remove the diaphragm. Remove any particles that have been trapped between the diaphragm and the valve seat. Rinse off the diaphragm and inspect for damage. Make sure the center orifice and both small side orifices are open.
3. Reassemble in reverse order, being careful not to overtighten the Phillips-head screws or you may crack the plastic valve body. Tighten until the armature plate makes contact with the plastic body.
4. Reconnect the wiring per diagram on page 12.

**Problem:** An individual operating station fails to turn on.

**Cause:** A failed coil for the valve or loose electrical connection to the terminal.

**Solution:** Test the station to determine cause.

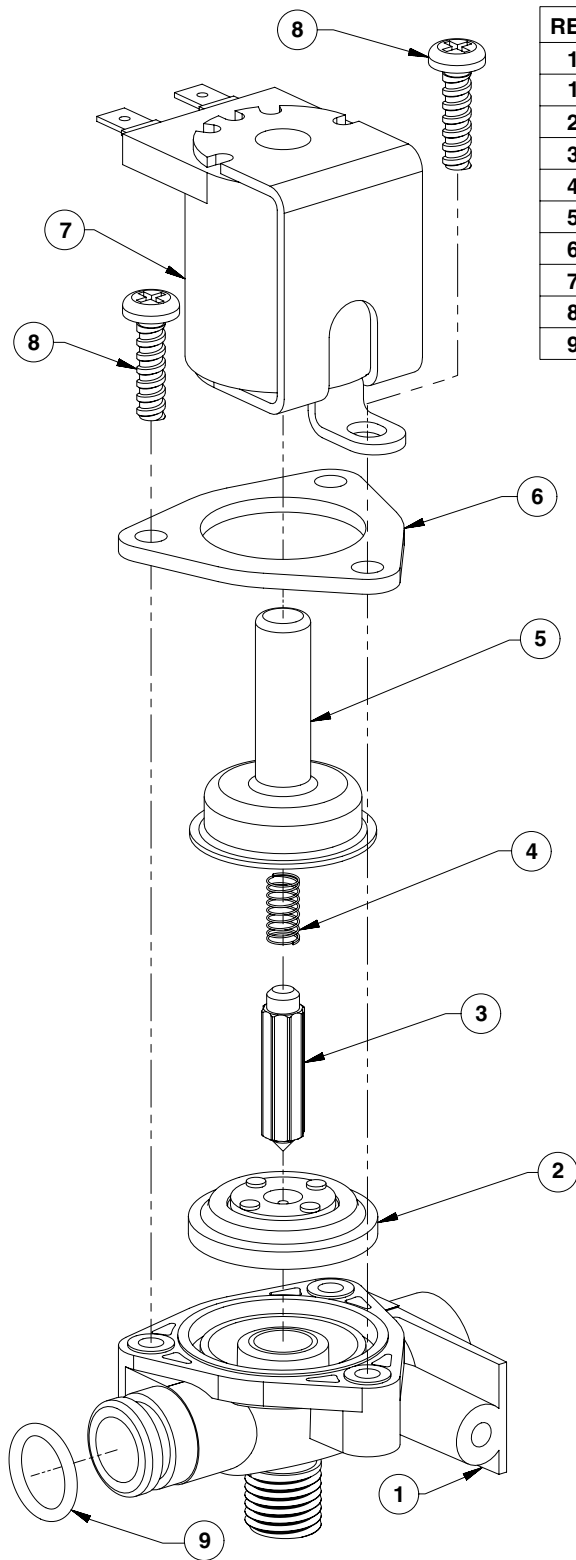
1. Disconnect the wires from the coil of an adjacent valve. Disconnect the wires from the problem valve and reconnect to the adjacent valve.
2. Turn on electrical and water supplies to the unit. Pass your hand in front of the sensor of the problem station, and the adjacent station should turn on.

If the adjacent station turns on and cycles normally, replace the coil on the problem valve.

If the adjacent valve fails to turn on, inspect the wires from the sensor cable and do the following:

- make sure there are no breaks and that the fully insulated disconnect terminals are firmly crimped in place;
- turn off the electrical and water supplies;
- reconnect to the adjacent valve and turn on the electrical and water supplies to the unit;
- pass your hand in front of the sensor. If the station still fails to turn on, replace the sensor (see page 19).

### Solenoid Valve S07-067 (closed body) and S07-067A (thru body)



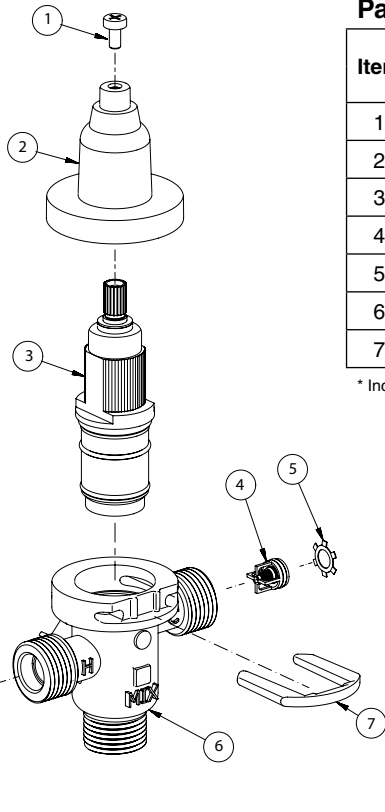
REF.	QTY.	PART NO.	DESCRIPTION
1	1	118-307	VALVE BODY, 1/4" CLOSED
1	1	118-307A	VALVE BODY, 1/4" THRU
2	1	269-983	DIAPHRAGM
3	1	269-577	ARMATURE
4	1	269-578	SPRING
5	1	269-1729	ARMATURE HOUSING
6	1	269-1730	CLAMP, ARMATURE HOUSING
7	1	269-579	COIL, SOLENOID VALVE
8	3	160-447	SCREW, #8 X 5/8
9	1	125-165	O-RING, #2-013

Figure 13

## Thermostatic Mixing Valve Troubleshooting

- ⚠** Before attempting to troubleshoot the valve or disassemble the components, check for the following conditions:
- If stop valves are used, make sure that they are fully open.
  - Make sure that the hot and cold inlet pipes are connected properly, and that there are no cross-connections or leaking stop valves.
  - Check the hot water heater output to make sure that it is at least 10° F above the set temperature.
- ✓** Be sure to close the appropriate shut-off valves prior to disassembly of the valve and reopen the valves after inspection and repair is complete.

Problem	Cause	Solution
External leaks.	Damaged cartridge or O-rings.	Replace cartridge with part number 269-1927
Improper water temperature or temperature fluctuation.	Hot water supply is not 10° above desired set point.	Increase hot water supply temperature
	Valve temperature is not properly set.	Adjust the temperature as shown on page 13, step 8.
Limited water flow.	Dirt and debris have built up in the valve or strainer.	<p>1. Check to make sure both hot and cold supplies are connected to the Navigator mixing valve and that they have water flow.</p> <p>2. Remove cover and U-clip. Remove the cartridge and clean the strainer. It is not required to grease cartridge, however if desired, use silicone grease only. Do not use grease on check valves.</p>



### Parts List

Item	Part No.	Description	Quantity		
			S59-4000	S59-4000A	S59-4000BY
1	160-463	Cap Screw	1	1	1
2	107-582	Cover	1	1	1
3	269-1927	Thermostatic Cartridge	1	1	1
4	198-014	Check Valve*	2	2	2
5	132-051	Retaining Ring*	2	2	2
6	118-319	Valve Body	1	1	1
7	146-079	U-Clip	1	1	1

\* Included with Prepack S65-326

### Tempered Line Adapter Option Part no. S39-804

(replaces S59-4000 if tempered line is used)

