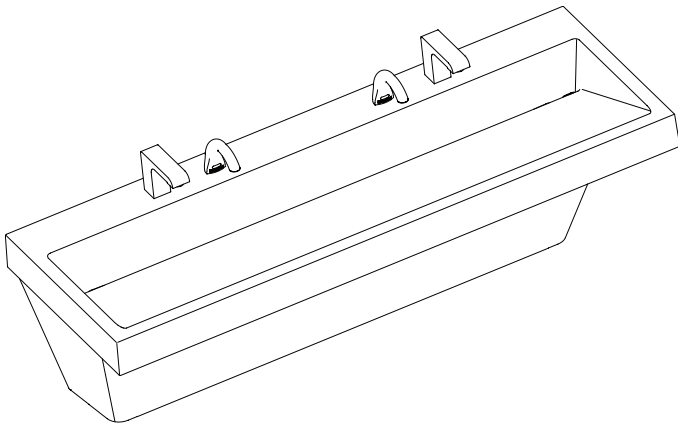


# Installation

## LVAD2

Verge® Wash Basin – LVA-Series with  
Evero® Natural Quartz Material



### Table of Contents

Components .....	3-4
Supplies Required .....	5
Dimensions .....	5-6
Rough-Ins .....	7-8
Overflow Plug Assembly .....	9
Drain Assembly .....	9
Faucets and Optional Soap Valve .....	10
Bowl Mounting .....	10
Strainer and P-trap .....	11
Adjust Temperature .....	11
Access Panel .....	12
Cleaning and Maintenance .....	13



## WARNING

Make sure that all water supply lines have been flushed and then completely turned off before beginning installation. Debris in supply lines can cause valves to malfunction.

Turn OFF electrical power to the electrical outlets, then unplug all electrical units prior to installation. Electrical power **MUST** remain off until installation is complete.

Installer's hardware must be appropriate for wall construction. Wall anchors must have a minimum pull-out rating of 1,000 pounds.

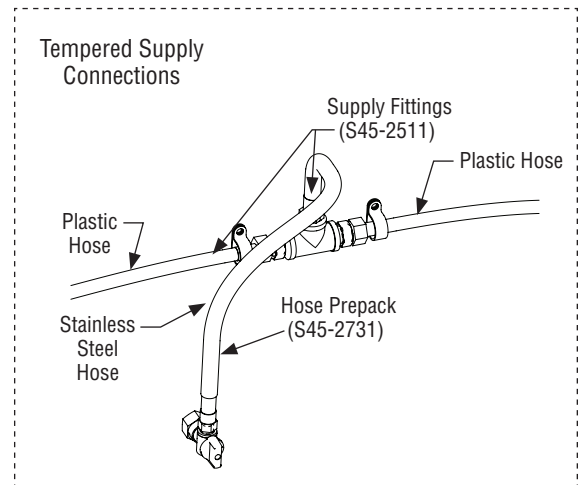
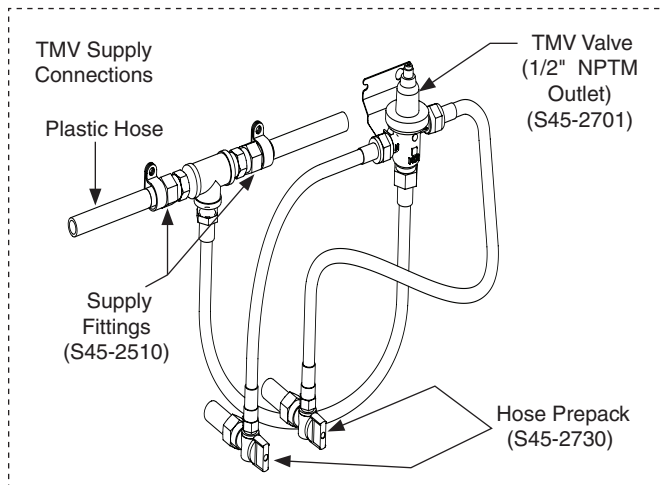
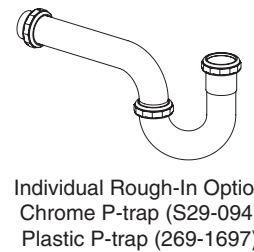
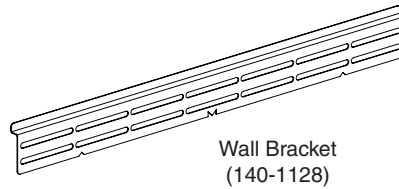
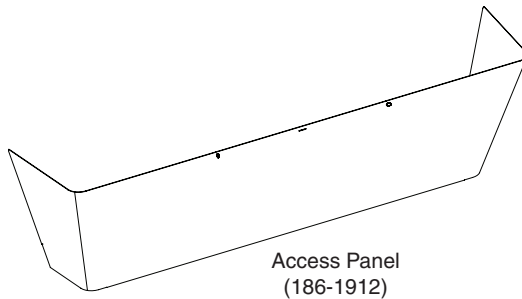
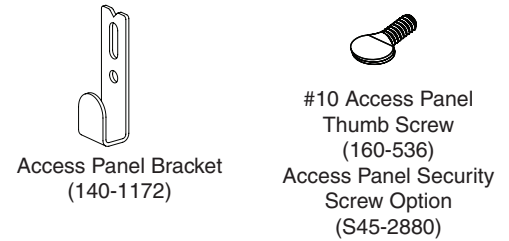
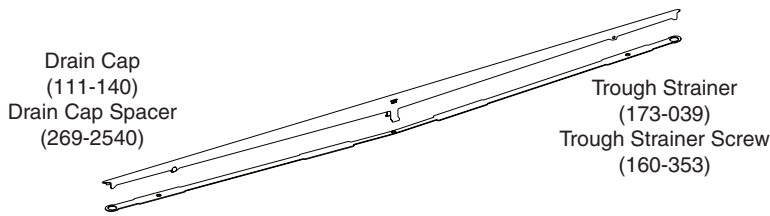
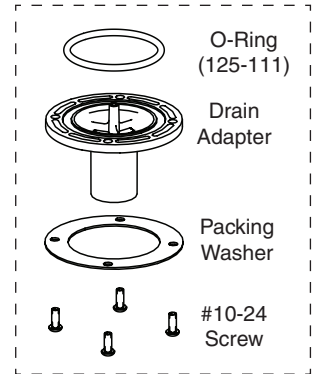
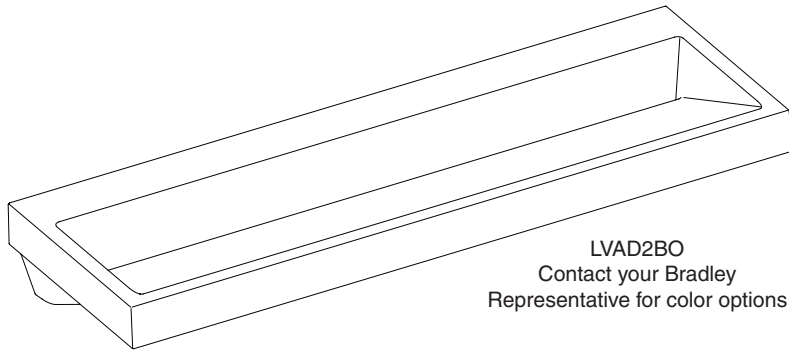
## IMPORTANT

Read this entire installation manual to ensure proper installation. When finished with the installation, file this manual with the owner or maintenance department. Compliance and conformity to local codes and ordinances is the responsibility of the installer. Product warranties may be found under "Products" on our Web site at [www.bradleycorp.com](http://www.bradleycorp.com).

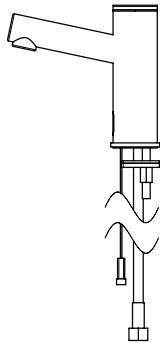
Separate parts from packaging and make sure all parts are accounted for before discarding any packaging material. If any parts are missing, do not begin installation until you obtain the missing parts.

For standard height mounting, do not exceed the recommended 33.5" distance from the fixture rim to the finished floor.

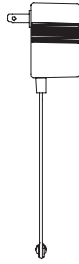
# Components



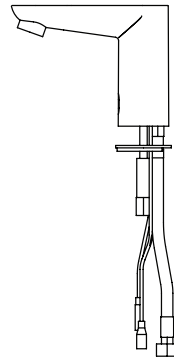
# Components



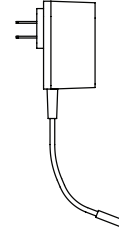
IR-DCD Faucet  
(S53-336)



Plug-In Transformer  
Option (PT) for  
IR-DCD Faucet  
(S53-337)



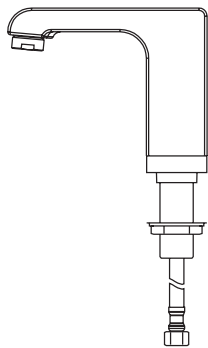
IR-DCG Faucet  
(S53-350)



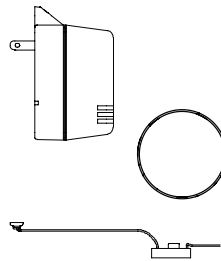
Plug-In Transformer  
Option (PT) for  
IR-DCG Faucet  
(153-486)

\*Adapter included with faucet (TMV: S45-2872, TL: S45-2871)

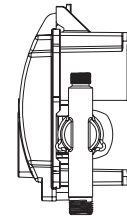
\*Adapter included with faucet (TMV: S45-2872, TL: S45-2871)



CAP-DCA Faucet  
(S53-334)

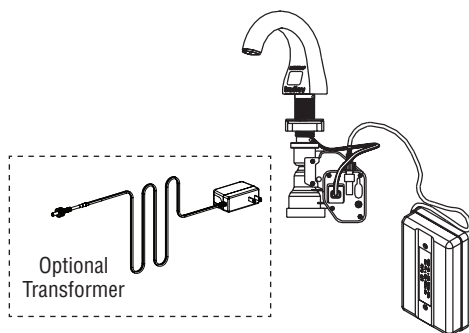


Plug-in transformer option (PT)  
includes Transformer (S53-338),  
Adapter (S53-339), and Grounding  
Kit (S53-349) for CAP-DCA Faucets

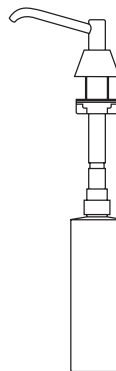


Battery Box for  
CAP-DCA Faucets

\*\*Adapter S45-2873 included with faucet



6315-KT0000 Soap Dispenser



6324-68 Soap Dispenser



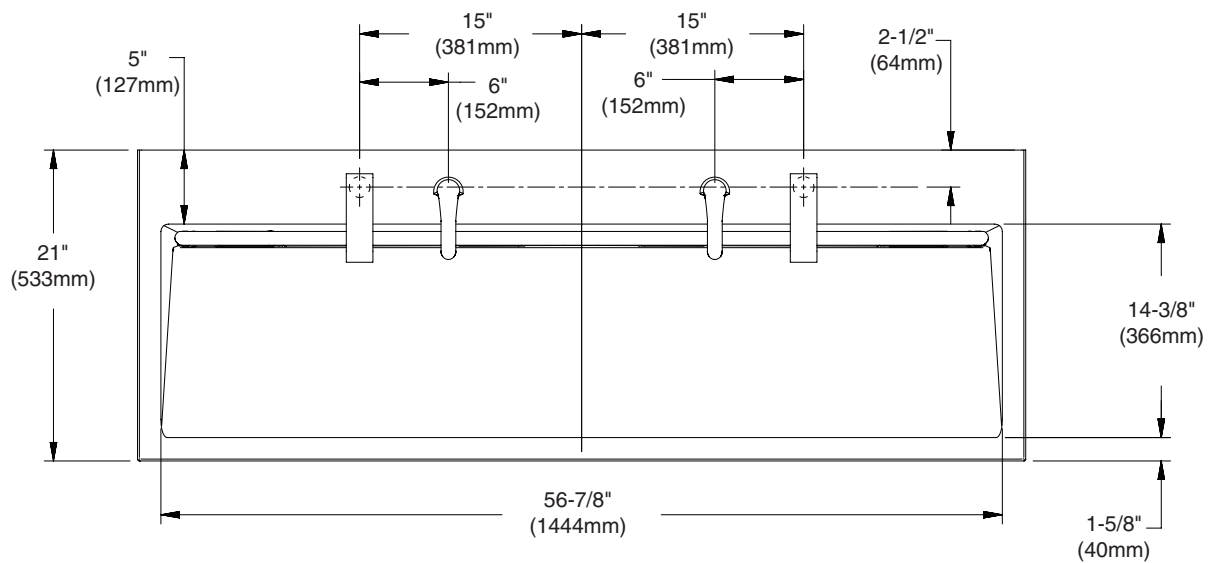
6334 Soap Dispenser

## Supplies Required

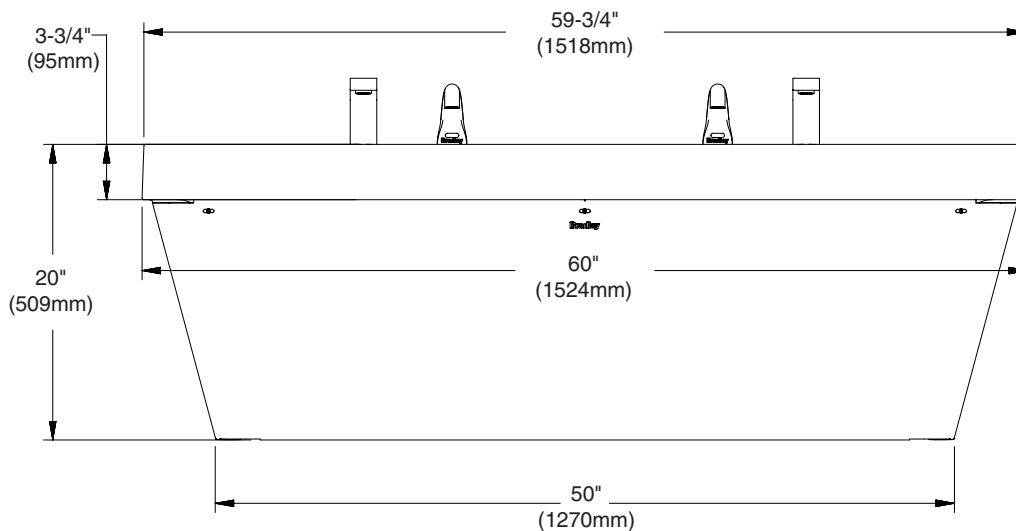
- (6) 3/8" fasteners and wall anchors for bowl and wall bracket (minimum pull-out rating of 1,000 lbs.)
- (4) 1/4" fasteners and wall anchors for access panel brackets (minimum pull-out rating of 100 lbs.)
- 1/2" hot/cold or tempered stub-out
- 1 1/2" NPT drain stub-out(s)
- OPTIONAL: (2) 110 volt GFCI protected electrical outlets for 100–120 VAC plug-in transformers only
- Screen filter(s) as needed, if not included with faucet(s)
- Drill
  - Phillips screw driver
- Crescent wrench
  - Flat head screw driver
- Tape Measure
  - Level

## Dimensions

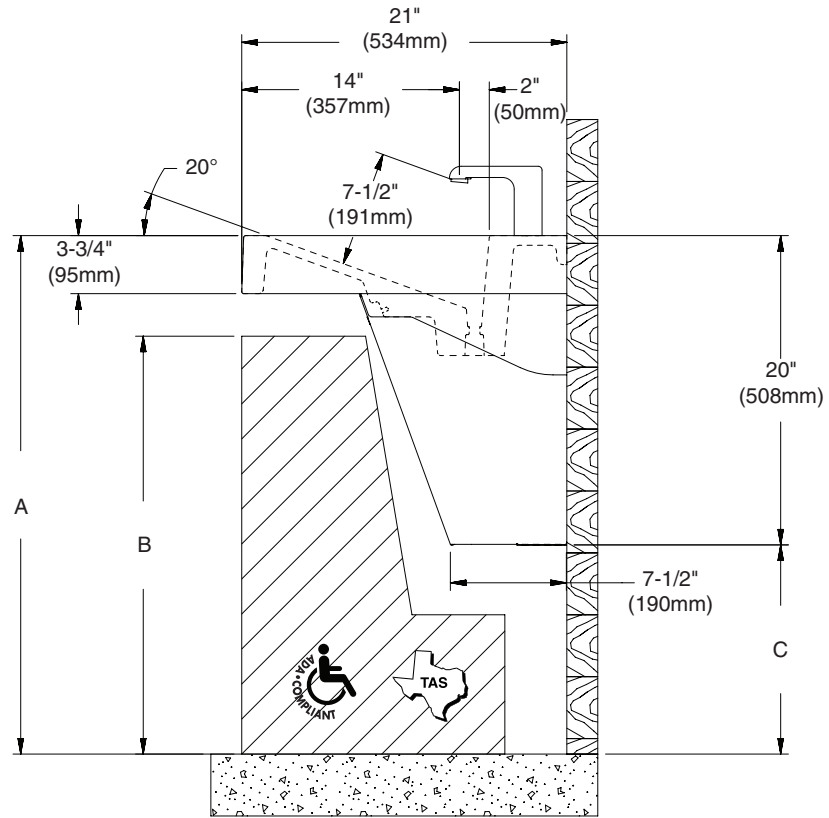
### Top View (shown with CAP-DCA faucet and 6315 soap)



### Front View



### Dimensions – Side View



	ADA/TAS Standard Height	ADA/TAS Juvenile Height (Children 6-12 years)	CSA Standard Height
Dim A	33-1/2" (851mm)	30-1/2" (775mm)	33-1/2" (851mm)
Dim B	27" (686mm)	24" (610mm)	29-29/32" (760mm)
Dim C	13-1/2" (343mm)	10-1/2" (267mm)	13-1/2" (536mm)

# Structural Rough-Ins



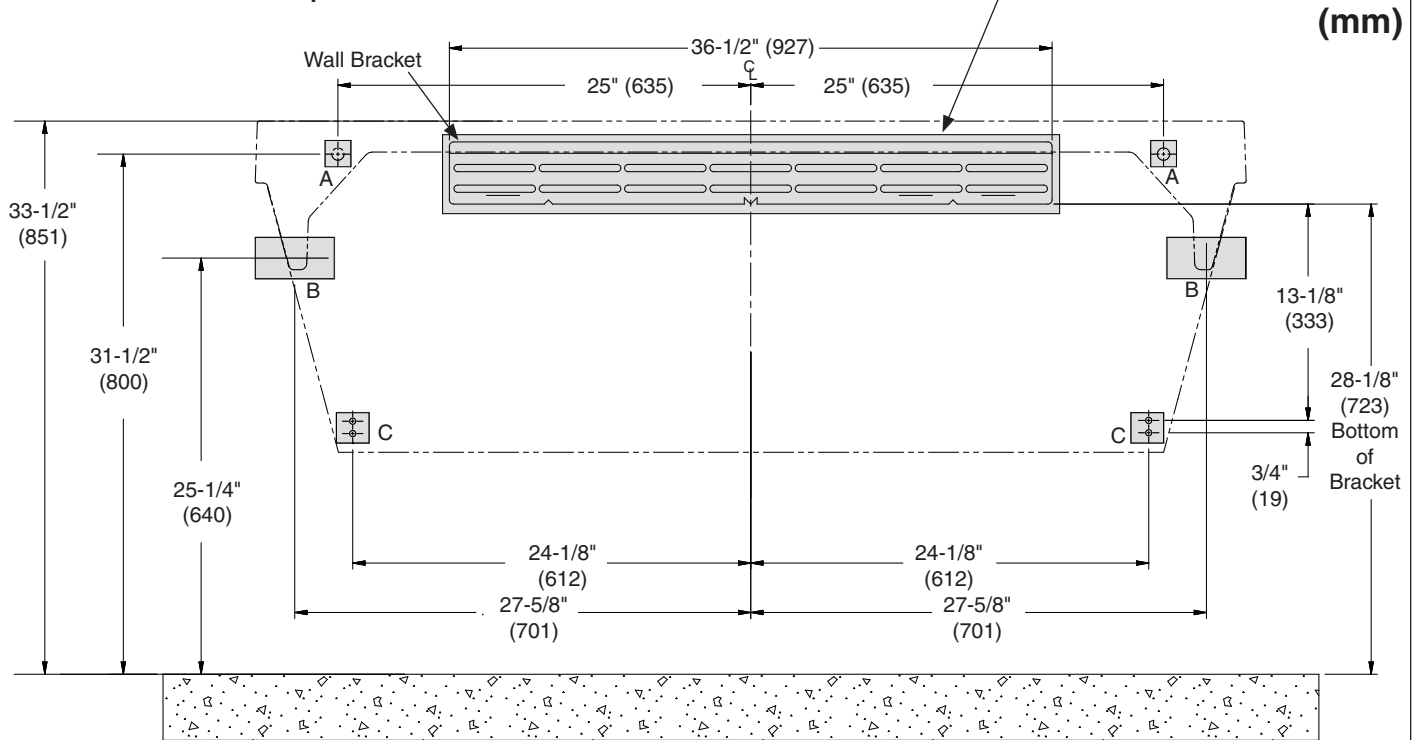
Mounting for Standard, ADA and TAS height shown.



Points A, B and C require sufficient backing compliant with local building codes.

**WARNING** Ensure bowl is completely seated in the wall bracket and securely fastened to the wall at point A.

Secure bracket to wall using min. (2) 3/8" anchor bolts to the left of C/L and min. (2) 3/8" anchor bolts to the right of C/L. The (2) anchor bolts to the right of C/L must be min. 16" apart from the anchor bolts to the left of C/L. When mounting is complete, check to ensure the bracket is level. See Step 1: Bracket Mounting for more information.



CODE	DESCRIPTION	QTY.
A	Install (1) 3/8" wall anchor with a minimum pull-out force of 1,000 lbs. per local codes at locations shown	2
B	Provide structural backing compliant with local building codes.	2
C	Install wall anchor with a minimum pull-out force of 100 lbs. per local codes at locations shown	4

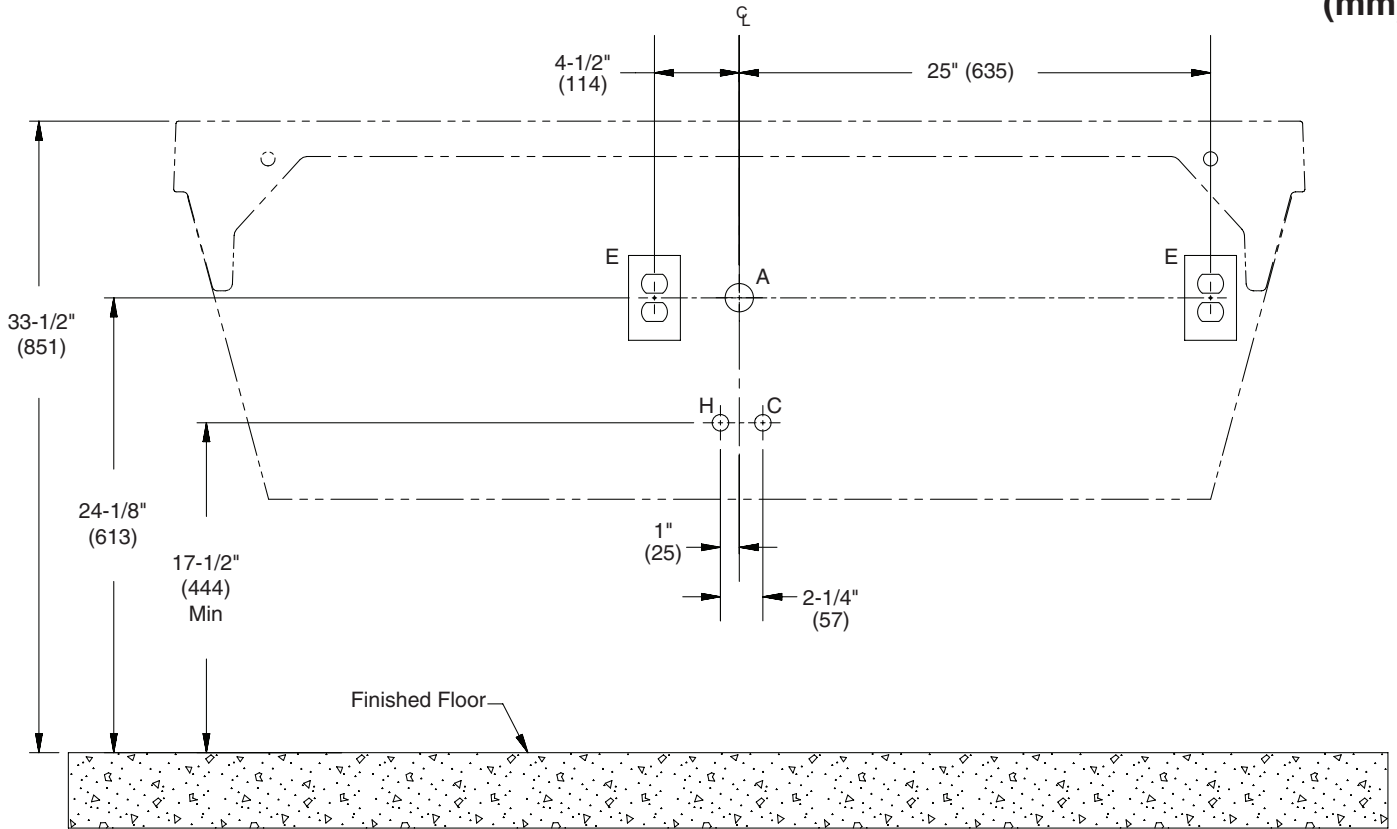
RIM HEIGHT	VERTICAL HEIGHT ADJUSTMENTS	FIXTURE STYLE
33½"	No Adjustment	Standard Height, ADA, TAS and CSA
30½"	Subtract 3"	Juvenile, ADA and TAS

# Plumbing and Electrical Rough-Ins



Mounting for Standard, ADA and TAS height shown.



(mm)



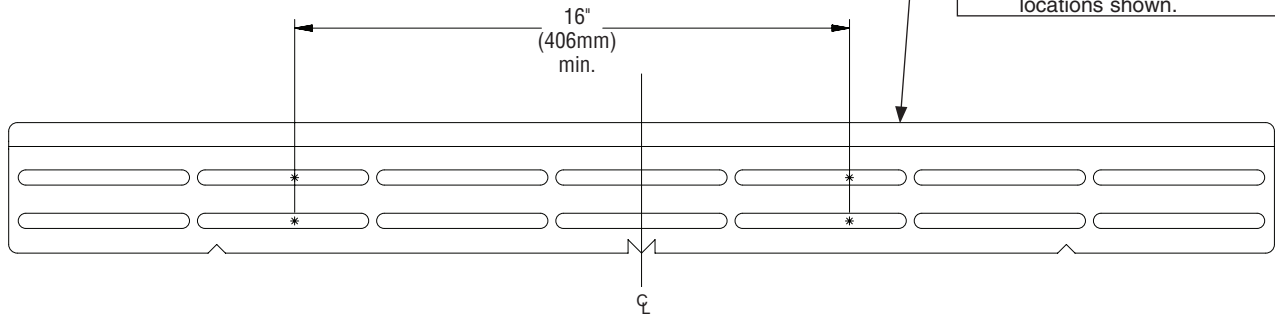
CODE	DESCRIPTION	QTY.
A	1 1/2" NPT Drain, Stub-out 2" from wall	1
H,C	1/2" Nominal (3/8" O.D. Comp.) Hot/Cold supplies, Stub-out 2" from wall	1
E	110V GFI protected electrical outlet	2



# 1 Bracket Mounting

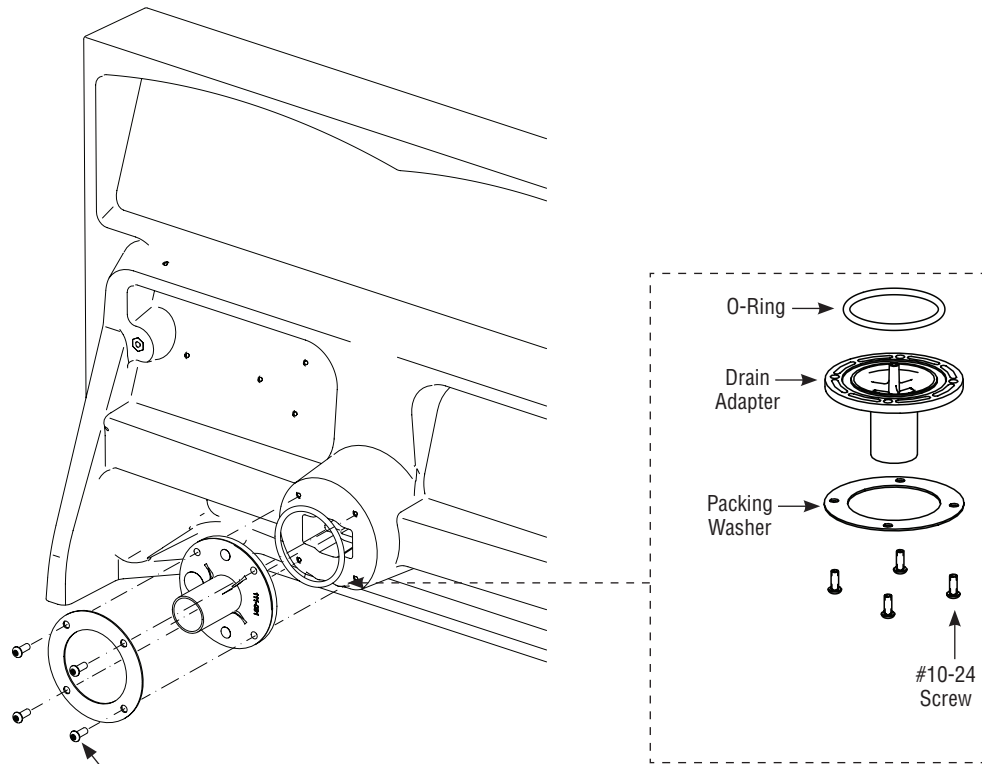
-  Typical installation is shown. It may be necessary to repair the wall after mounting. The fixture may not cover all of the wall modifications.
-  Mounting height per structural rough-in dimensions.

**A** Install wall bracket to wall per structural rough-in dimensions. Check to ensure the bracket is level. Example anchor locations shown.



# 2 Drain Assembly

-  For ease of drain installation, lay the bowl on its back.



**A** Assemble the remaining components as shown and thread the four screws through the drain adapter and into the basin inserts. Ensure the screws compress the drain adapter evenly onto the basin.

### 3 Faucet Installation

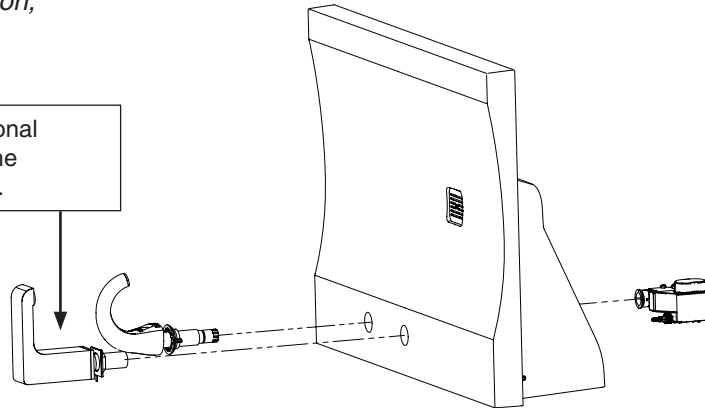


Other basin models may be shown for faucet mounting visual.



For ease of drain installation, lay the bowl on its back.

**A** Install the faucets and optional soap valves according to the manufacturer's instructions.



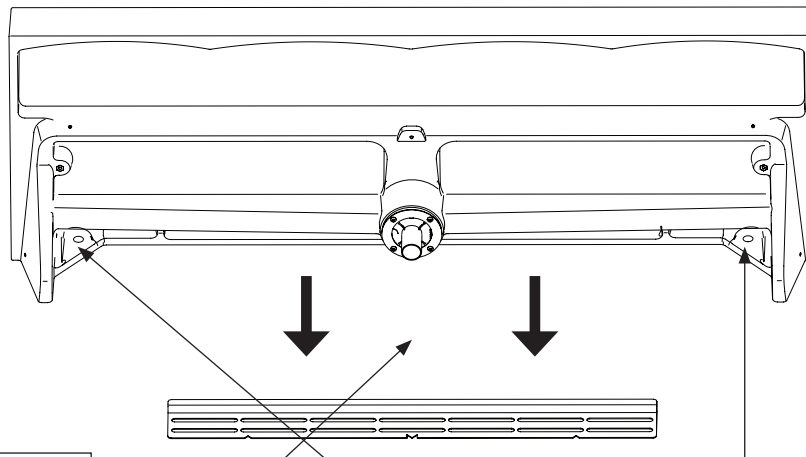
### 4 Bowl Mounting (to Bracket and Wall)



**WARNING** Ensure bowl is completely seated in the wall bracket and securely fastened to the wall at point A.

**CAUTION** Bracket is not intended to support the weight of bowl for an extended period of time. Be sure to secure the bowl to the wall using appropriate fasteners.

**CAUTION** Positioning bowl onto bracket may require two people.



**A** Position bowl above wall bracket. Press firmly on the back of the bowl to seat the bowl flange into the wall bracket lip. Ensure bowl is level.

**B** Secure the bowl to the wall anchors using fasteners per the structural rough-in requirement (supplied by installer).

## 5 Strainer and Drain Cap



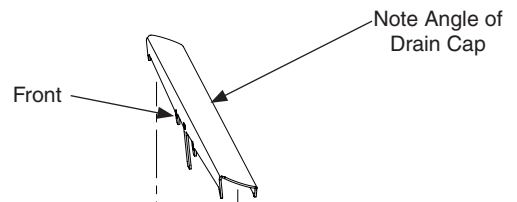
1 station shown, 2 station similar.



Faucet and soap removed for clarity.



Drain cap is labeled front and back. Be sure front is facing the user. Top surface of drain cap should be sloped away from user.

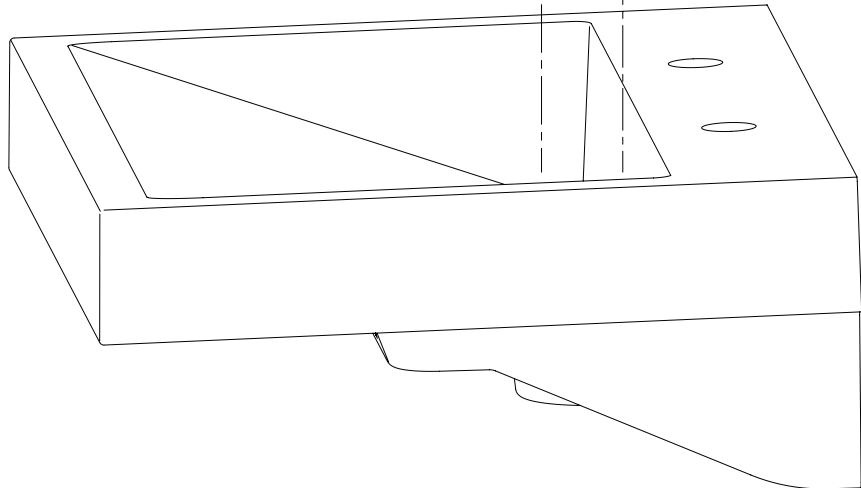


**A**

Position drain cap over trough strainer, aligning tabs into drain. Push drain cap down until drain cap is flush with basin. Grommets should hold drain cap securely against drain trough walls.

**B**

To remove drain cap, carefully slip flat screwdriver into left or right hand corner of drain cap and gently lift upwards.



## 6 Adjust Temperature with Water Running

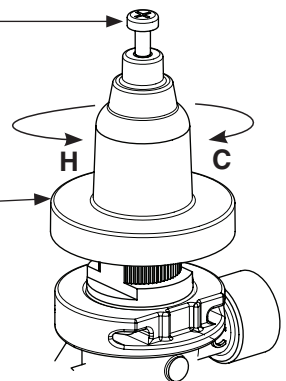
**⚠WARNING** This valve is NOT factory preset. Upon installation, the temperature of this valve must be checked and adjusted to ensure delivery of a safe water temperature. Water in excess of 110°F (43°C) may cause scalding.

**A**

Loosen Cap Screw about 1/4" (4-6 turns) and lift up cover (do not remove).

**B**

Using cover, turn cartridge gently until desired water temperature is reached. Do not turn past stops as this may damage unit. Push cover down and tighten screw.



## 7 Access Panel



Make all connections before installing access panel.

**A** Install access panel brackets to wall using #10 fasteners (supplied by installer) as shown in rough in drawing. Install top screw into slot. Do not install bottom screw until Step C is complete.

**B** Insert #10 thumbscrews into front bowl apron as shown. Thumbscrew in vertical position is closed. Thumbscrew in horizontal position is open.

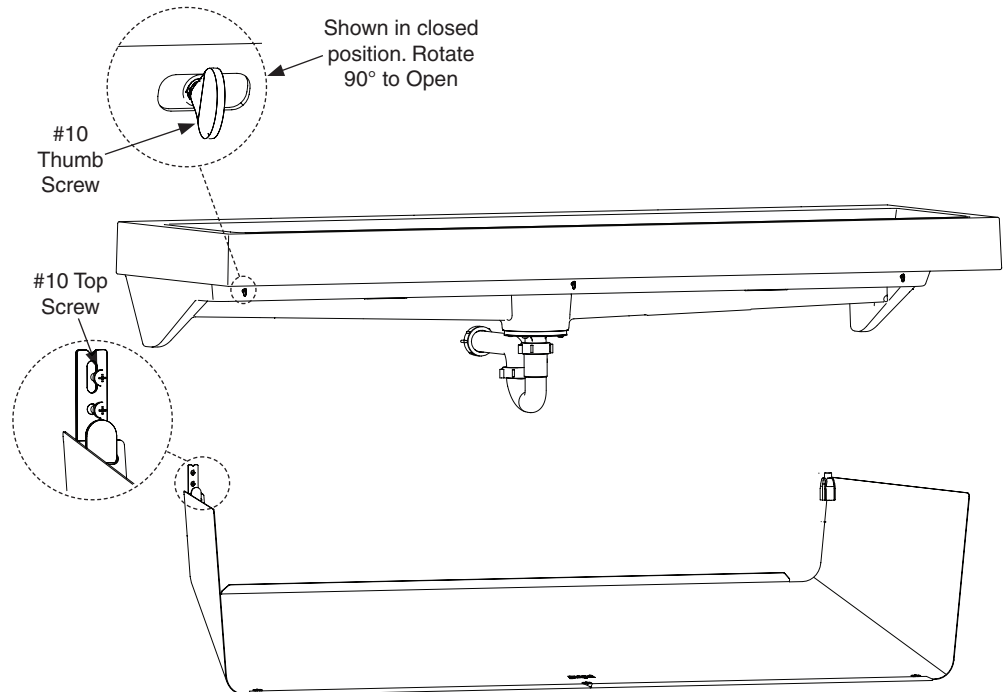
**C** Hang access panel onto mounting brackets attached to wall on the left and right sides. Rotate panel up and check fitup between thumbscrews and panel slots. Rotate access panel down and make adjustment to brackets if necessary. Install bottom #10 fastener into brackets.

**D** Attach P-trap to drain adapter and waste outlet.

**E** Rotate access panel up and secure by rotating thumbscrews to the closed position

**F** To open access panel, rotate thumb screw, slightly push panel up and swing access panel down. Do not remove thumbscrews.

**CAUTION** For applications where children are present or for applications subject to vandalism, order security screw option S45-2880.



## Cleaning and Maintenance for Evero

**Material Description:** Evero Natural Quartz Material is made of bio-based resin, natural quartz and other materials to resist chemicals, stains, burns and impact. Variations in the natural stone color, pattern, size, shape and shade are inherent. Due to these unique characteristics, please expect subtle shade variations when units are installed adjacent to each other.

**Routine Cleaning:** For regular cleaning, use mild neutral base cleaners.

**Stubborn Stains:** Remove tough stains, with non abrasive cleaners and pads such as a white Scotch Brite® pad or Magic Eraser. Test on inconspicuous area prior to using the suggested products.

**Protecting the Surface:** To optimize material performance in high use areas, it is recommended to apply DryTreat Stain-Proof Original or equivalent as needed.

**Repair Kits:** Evero repair kits are available. Contact your Bradley representative or distributor for part numbers and pricing. Repair kits are made to order and have a shelf life of 30 days.

**NOTICE!** *Do not use strong acid or alkaline chemicals and cleansers to clean Evero. If these chemicals come in contact with the surface, wipe them off immediately and rinse with soapy water. Avoid contact with harsh chemicals such as paint remover, bleach, acetone, chloride based cleaners, floor cleaners, etc. Avoid contact with hot pans and objects.*

## Cleaning and maintenance instructions for stainless steel

**Material Description:** Stainless steel is extremely durable, and maintenance is simple and inexpensive. Proper care, particularly under corrosive conditions, is essential. Always start with the simplest solution and work your way toward the more complicated.

**Routine cleaning:** Daily or as often as needed use a solution of warm water and soap, detergent, or ammonia. Apply the cleaning solution per the manufacturer's instructions and always use a soft cloth or sponge to avoid damaging the finish.

**Stubborn Stains:** To remove stains from stainless steel use a stainless steel cleaner and polish such as Ball® stainless steel cleaner or a soft abrasive. Always follow the manufacturer's instructions and apply in the same direction as the polish lines.

**NOTICE!** *Never use ordinary steel wool or steel brushes on stainless steel. Always use stainless steel wool or stainless steel brushes.*

## Special Situations for Material

**Fingerprints and Smears:** To remove fingerprints or smears use a high quality stainless steel cleaner and polish in accordance with the manufacturer's instructions. Many of these products leave a protective coating that helps prevent future smears and fingerprints.

**Grease and Oil :** To remove grease and oil use a quality commercial detergent or caustic cleaner. Apply in accordance to the manufacturer's instructions and in the direction of the polish lines.

**Precautions:** Avoid prolonged contact with chlorides (bleaches, salts), bromides (sanitizing agents), thiocyanates (pesticides, photography chemicals, and some foods), and iodides on stainless steel equipment, especially if acid conditions exist.

**NOTICE!** *Do not permit salty solutions to evaporate and dry on stainless steel.*

The appearance of rust streaks on stainless steel leads to the belief that the stainless steel is rusting. Look for the actual source of the rust in some iron or steel particles which may be touching, but not actually a part of the stainless steel structure.

**NOTICE!** *Strongly acidic or caustic cleaners may attack the steel, causing a reddish film to appear. The use of these cleaners should be avoided.*

**Brand Names:** Use of brand names is intended only to indicate a type of cleaner. This does not constitute an endorsement, nor does the omission of any brand name cleaner imply its inadequacy. Many products named are regional in distribution, and can be found in local supermarkets, department and hardware stores, or through your cleaning service. It is emphasized that all products should be used in strict accordance with package instructions.