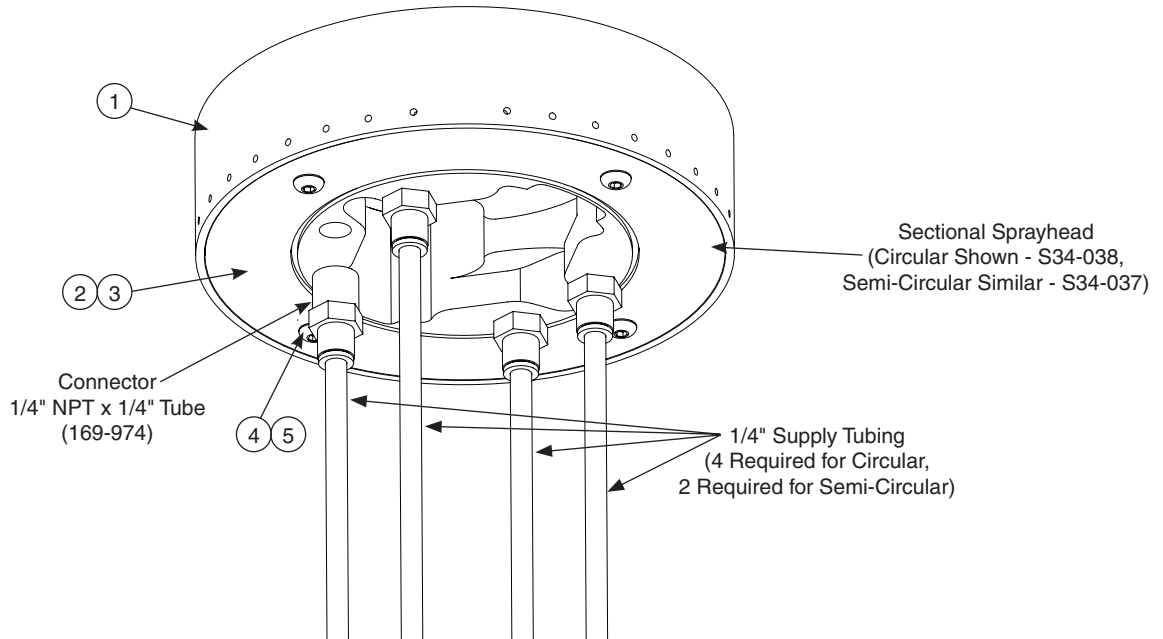




Sprayheads WF2500, WF2600, WF2700, WF2800, WF3200, TDB3100 Series

P.O. Box 309 • Menomonee Falls, WI 53052-0309 • 1 800 BRADLEY • 262 251 6000 • bradleycorp.com

Sectional Sprayhead



Parts List

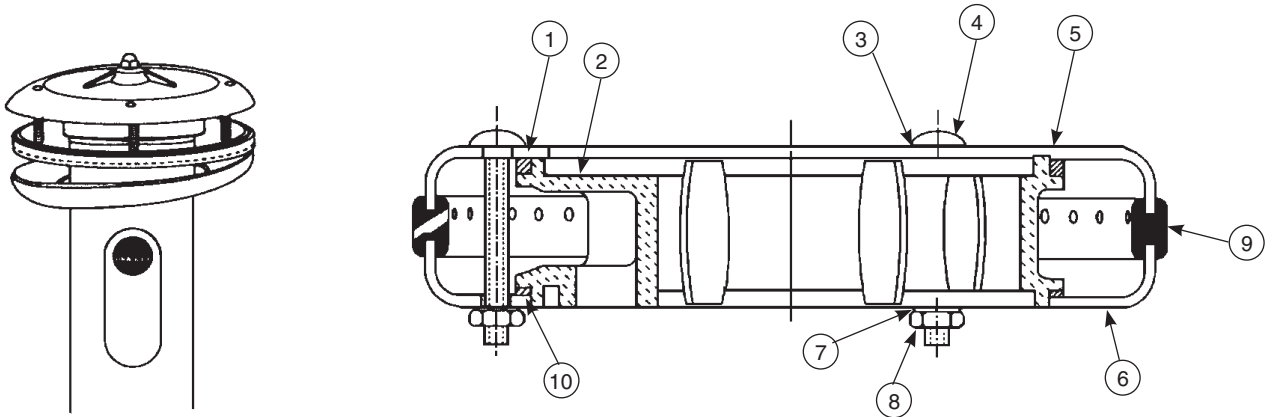
Item	Part No.	Description	Circular	Semi-Circular
			Qty	
1	115-080	Sectional Sprayhead - Plated (Circular)	1	
1	115-079	Sectional Sprayhead - Plated (Semi-Circular)		1
2	159-115	Bottom Plate	1	1
3	124-032	Gasket	1	1
4	160-138	Screw, 10-24 x 1/2" Button Head	4	4
5	142-002BT	Washer, #10, Split Lock	4	4



Non-Sectional Sprayhead



Repair kit does not include sprayhead grommet. Order as a separate item.




Parts List

Item	Part No.	Description	Sprayhead Assembly	Repair Kit S45-051
			Qty	
1	125-001DE	Neoprene Washer - Top	1	1
2	139-031	Sprayhead Manifold	1	-
3	124-001AL	Washer	3	4
4	160-211	Carriage Bolt	3	4
5	115-061	Sprayhead Top	1	-
6	116-008	Sprayhead Bottom	1	-
7	124-001AT	Washer	3	4
8	161-025	Nut	3	4
9	124-020C	Sprayhead Grommet - Circle	1	-
9	120-020D	Sprayhead Grommet - Semi-Circle	1	-
9	120-020E	Sprayhead Grommet - Corner	1	-
10	125-001DF	Neoprene Washer - Bottom	1	1



Sprayhead Troubleshooting

Problem	Cause	Solution
Water splashes over the rim of the bowl.	Foreign matter has reduced the size of the sprayhead slots, causing greater pressure at the open slots.	<p>Clean the sprayhead:</p> <ol style="list-style-type: none"> 1. Disassemble the sprayhead and dislodge any dirt, lime build-up and foreign debris with a wire brush. 2. Sprayheads with rubber grommet spray rings may be cleaned by rubbing a coin over the grommet. <p>Throttle down the volume control (water spray should strike the bowl without splashing outside of the bowl).</p>
Water flow diminishes from the sprayhead.	Strainer portion of the stop-strainer-check valve is plugged.	<p>Remove and clean the strainer screen from the stop-strainer-check valve.</p> <p> <i>The non-sectional sprayhead includes a perforated neoprene spray ring grommet that is self-cleaning. The water pressure flexes the spray holes which slows accumulation of foreign matter and tends to "break loose" any such deposits that may have accumulated.</i></p>

Sprayhead Tubing Connections

⚠ WARNING Flush supply lines before making connections.

A Using a sharp razor, cut tubing squarely and remove any burrs. DO NOT pinch or crush end of tubing.

B Loosen nut on fitting. Moisten end of tube and push into fitting until it is firmly seated. Tighten nut to secure tube to fitting (make sure nut is securely tightened).

C If connector leaks, reseal tubing according to above procedure. If leaking persists, replace male connector, or call a Bradley representative for assistance.

