

- Surface-Mounted
- Satin Stainless Steel

Product Materials

BODY AND BACKPLATE: heavy-duty stainless steel with exposed surfaces in architectural satin finish.

FLIP TOP ASH TRAY: heavy-duty stainless steel with exposed surfaces in architectural satin finish with stainless steel push lever.

INNER ASH RECEPTACLE: drawn, one-piece seamless aluminum construction.

Operation

Flip Top Ash Tray is operated by pushing down on lever on right side of ash tray. Ashes fall into inner ash receptacle. To remove receptacle, lift hinged body and remove receptacle.

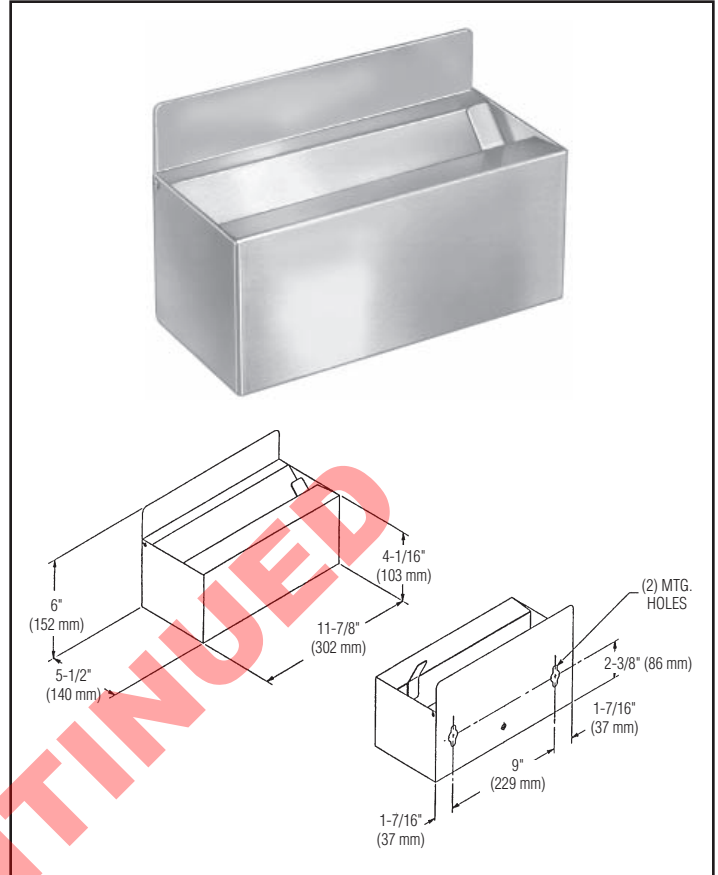
Installation

Verify all rough-in dimensions prior to installation. Secure to wall with mounting screws (included) at holes provided.

Guide Specification

Surface-Mounted Ash Urn shall be fabricated of stainless steel with exposed surfaces in architectural satin finish. Flip top ash tray is permanently attached to receptacle body. Drawn aluminum removable ash receptacle.

Overall dimensions: 11-7/8"W x 6"H x 5-1/2"D.



Washroom Accessories
Document No. 9085

This information is subject to change without notice.

Always consult local and national codes for proper installation guidelines. Conformity and compliance to local and national codes is the responsibility of the installer.

4-1-2010

© 2010 Bradley Corporation
P.O. Box 309, Menomonee Falls, WI 53052-0309
Phone: 800.BRADLEY (800.272.3539) Fax: 262.253.4161
bradleycorp.com