

- Accent Series – Color Laminate
- Recessed

Product Materials

FACEPLATE: 5/16" thick solid laminate made of colored Melamine bonded under high pressure to a phenolic core. All exposed edges are machined smooth to a uniform dark finish.

CABINET: 20 gauge stainless steel with exposed surfaces in architectural satin finish.

SPLIT BOWL ASHTRAY: heavy die cast aluminum.

INNER RECEPTACLE: drawn, one-piece seamless aluminum construction.

Operation

Split bowl opens to empty ashes into concealed waste receptacle. Top lifts out to access receptacle which is removable for servicing.

Installation

Verify all rough-in dimensions prior to installation. Requires rough wall opening 12-3/4"W x 11-1/2"H x 5-3/8"D. Secure to framing with mounting screws (included) at holes provided. Shim at screw points as required.

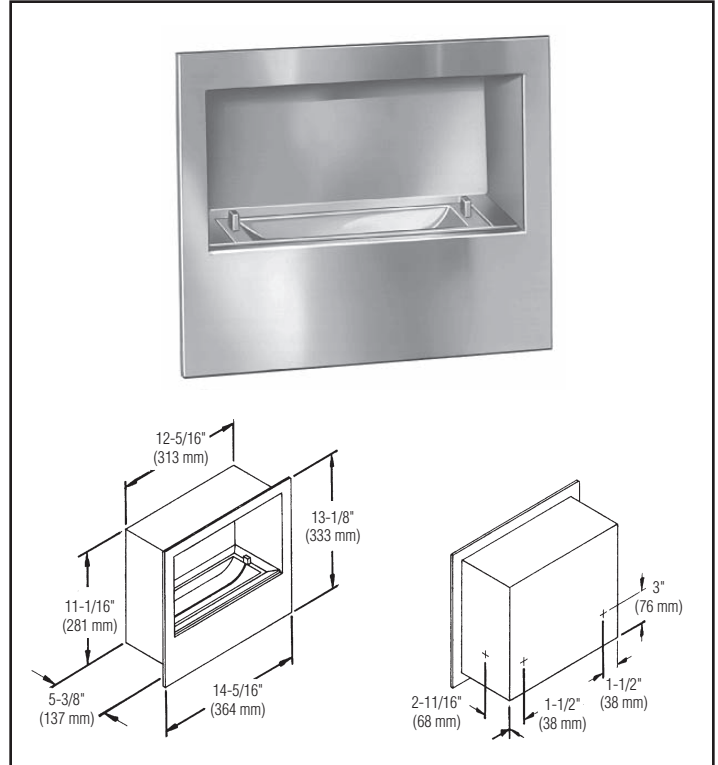
Standard Selections

| SPECIFY COLOR |
|--|
| <input type="checkbox"/> Specify color _____ (See color chart in back of catalog) |

Guide Specification

Recessed Ash Urn shall be fabricated of stainless steel. Faceplate of 5/16" thick solid laminate. Removable top ring and plunger-operated split bowls of cast aluminum. Drawn aluminum removable ash receptacle.

Overall dimensions: 14-5/16"W x 13-1/8"H x 5-3/8"D.



Washroom Accessories
Document No. 9095

This information is subject to change without notice.

Always consult local and national codes for proper installation guidelines. Conformity and compliance to local and national codes is the responsibility of the installer.

4-1-2010

© 2010 Bradley Corporation
 P.O. Box 309, Menomonee Falls, WI 53052-0309
 Phone: 800.BRADLEY (800.272.3539) Fax: 262.253.4161
 bradleycorp.com