



### Security clothes hook:

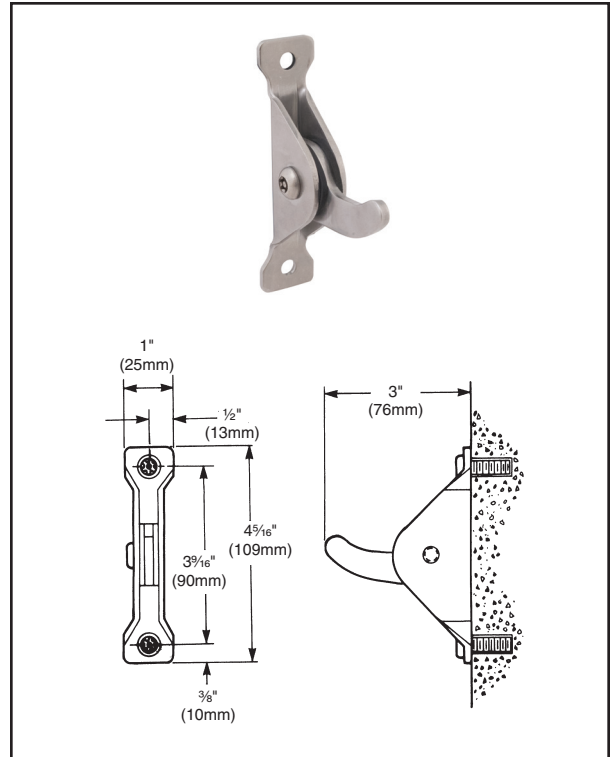
Model SA37 – Front-Mounted **Bradex**<sup>®</sup>

### Product Materials

**SAFETY HOOK:** 11 gauge stainless steel bracket with 7 gauge stainless steel hook. Hook is secured to bracket with torx-head screw and rubber friction washers. Unit manufactured to release when more than 30 lbs. of force is applied. Tension adjustment can be made by use of torx driver. Any adjustments made to the tension of the hook should allow the hook to release between 10 and 30 lbs. of force.

### Installation

Verify all rough-in dimensions prior to installation. Unit supplied with 1/4" - 20 x 1" T27 torx head machine screws for installation to wall anchors (not included).



Orders composed of products indicated as **Bradex**<sup>®</sup> will be available to ship in three days after receipt of order at the factory. There is no pricing penalty for this service from Bradley.