

- Exceeds American National Standard Z358.1 Specifications
- Durable, Ceramic Valve
- Precise 20° Side-Swing Activation
- Durable Anti-Rotational Deck Mount
- Universal Right or Left Hand Mounting Options
- Chrome-Plated Brass on Exposed Piping and Fittings
- Universal Identification Sign and Inspection Tag Included

## Specifications

Unit design saves space and fits easily into any work environment. Eye and eye/face wash units operate quickly by pulling swing arm 90° over sink. The unit is pre-assembled for right-hand mounting, but if desired, there is the option to assemble for left-hand mounting. New vandal resistant ceramic valve limits wear and tear on moving parts, provides dependability and long lasting performance. Safe, steady water flow under varying water supply conditions from 30-90 PSI is assured by integral flow control. Eye/face wash sprayheads contain an antimicrobial agent to protect the sprayheads (S19-270E only). **NOTE:** The ANSI Z358.1 standard requires an uninterrupted supply of flushing fluid. Bradley plumbed emergency fixtures require a minimum of 30 PSI flowing pressure.

This plumbing fixture is not intended to dispense water for human consumption through drinking or for preparation of food or beverages.

## Standard Equipment

### Standard Sprayhead Assembly

Chrome-plated brass sprayhead assembly with twin soft-flow eyewash heads and protective sprayhead covers. The integral flow control assures safe, steady flow under varying water supply conditions from 30–90 PSI. (S19-270C).

### Eye/Face Wash Sprayhead Assembly

Twin perforated disc eye/face wash heads with protective sprayhead covers. The integral flow control assures safe, steady flow under varying water supply conditions from 30–90 PSI. (S19-270E).

### Valve

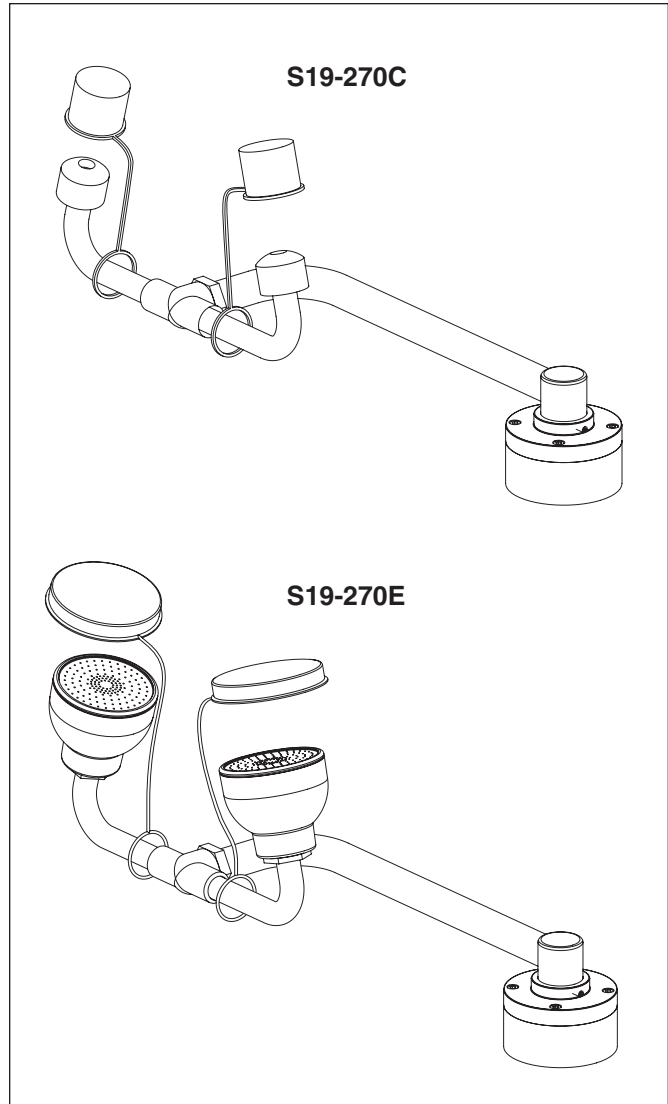
Ceramic ½" NPT stay-open valve. The ceramic discs provide a precise 20° activation and deactivation angle, minimizing excessive splashing when the unit is activated.

### Pipe and Fittings

Chrome-plated brass.

### Water Supply

½" NPT.



**Recommended Option:**  
Navigator S19-2000 EFX8  
Emergency Thermostatic Mixing Valve

**NAVIGATOR**

Satisfies ANSI Z358.1  
tepid water requirements.

Model Number	Description
<input type="checkbox"/> S19-270C	Swing-Activated Eyewash – Universal Mount
<input type="checkbox"/> S19-270E	Swing-Activated Eye/Face Wash – Universal Mount
<input type="checkbox"/> S19-2000	Navigator EFX8 - Emergency Thermostatic

