



Sight & Urinal Screens Powder Coated & Stainless Steel

Construction

Permaseal™ Panels

Consist of two sheet metal faces insulated with a moisture-resistant honeycomb core that is adhered to the inner surfaces and set under pressure. Edges are formed to interlock together to provide a tight fit without crown molding. Corners are welded underneath a clip that is affixed to all corners.

Powder Coated panels are 1" thick, constructed from 22 gauge galvanized steel, and finished with electrostatic high grade powder coating and oven cured to provide a mar-resistant finish. Mills offers 15 standard colors.

Stainless Steel Panels are 1" thick and manufactured from 22 gauge, 300 Series stainless steel. Options for finish include #4 satin brushed, 5WL textured, or leather grain finish. Includes cover with self-adhesive protective coating for protection during installation.

Sight Screen

Sight screens are fabricated 58" high, floor-braced with a 5" pilaster; attached with four chromed Zamac stirrup brackets, two at the wall and two at the pilaster. Sight screens can also be attached using "2-ear" stainless steel or aluminum continuous brackets at the wall along with a continuous "U" bracket at the pilaster or with stainless steel stirrup brackets. Also available with floor-mounted overhead braced pilasters, floor-to-ceiling pilasters or an aluminum post.

Urinal Screens

Urinal Screens are fabricated 48" high. They may be wall hung and attached to the wall with two chromed Zamac stirrup brackets. Urinal screens can also be attached using 2-ear stainless steel or aluminum continuous brackets, stainless steel stirrup brackets or an 8" top-mounted 11 gauge steel chrome-plated wing bracket with either stirrup brackets or 2-ear continuous brackets. Also available with floor-mounted overhead braced pilasters, floor-to-ceiling pilasters or an aluminum post.

Hardware

Compartments shall be provided with all hardware and fastenings to provide a complete installation.

Options

Powder Coated Screen Colors

- | | | |
|---|---------------------------------------|-------------------------------------|
| <input type="checkbox"/> Adaptive Shade | <input type="checkbox"/> Carnival Red | <input type="checkbox"/> Polo Green |
| <input type="checkbox"/> Almond | <input type="checkbox"/> Cyberspace | <input type="checkbox"/> Royal Blue |
| <input type="checkbox"/> Black | <input type="checkbox"/> Dove Gray | <input type="checkbox"/> Toffee |
| <input type="checkbox"/> Buff | <input type="checkbox"/> Dusk Gray | <input type="checkbox"/> Warm Gray |
| <input type="checkbox"/> Burgundy | <input type="checkbox"/> Glacier Blue | <input type="checkbox"/> White |

Stainless Steel Finish

- Satin

Stainless Steel Textures

- 5WL Leather Grain

Wall Brackets

- | | |
|--|---|
| <input type="checkbox"/> Chromed Zamac Stirrup (STD) | <input type="checkbox"/> Continuous – Stainless Steel |
| <input type="checkbox"/> Stainless Steel Stirrup | <input type="checkbox"/> Continuous – Aluminum |

Corners

- Clipped (STD) Welded

Verify all rough-in dimensions prior to installation.

Consult local and national codes. Conformity and compliance to local and national codes is the responsibility of the installer.

Page 1 of 2 1/12/2018

This information is subject to change without notice.

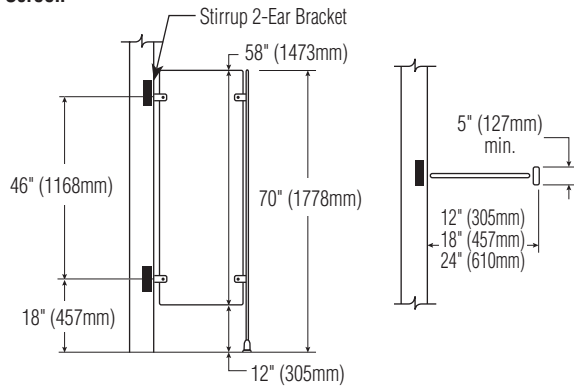
Bradley_UrinalScreen_PowderCoatedStainlessSteel

© 2018 Bradley
P.O. Box 309, Menomonee Falls, WI 53052-0309
800 BRADLEY (800 272 3539) +1 262 251 6000
bradleycorp.com



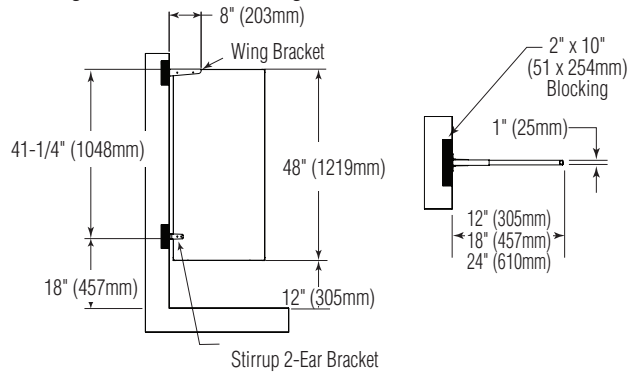
Sight & Urinal Screens Powder Coated & Stainless Steel

Sight Screen



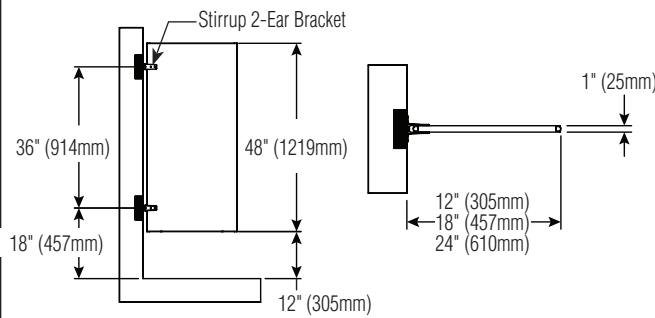
Generally recommended for Sight Screen application. Screen has floor mounting and requires minimum 3" concrete floor for anchoring.

Wall Hung Urinal Screen With Wing Bracket



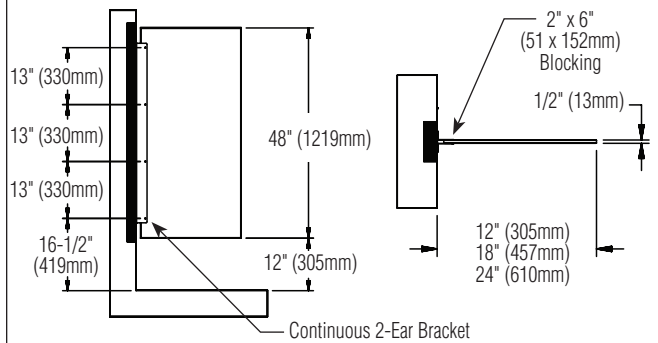
Generally used for Urinal Screen application where added durability is needed for high traffic areas. Screen is mounted to wall with Mills chrome plated wing bracket and 2-ear stirrup bracket..

Wall hung Urinal Screen with Stirrup Brackets



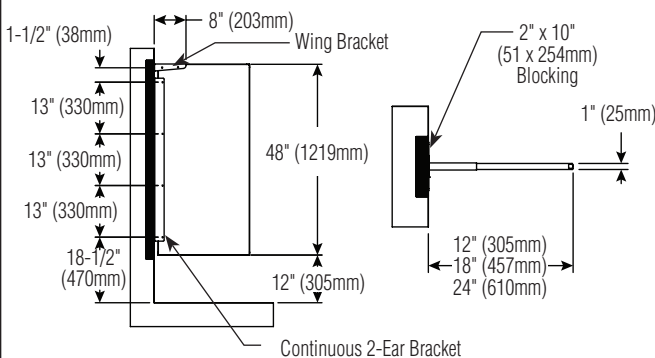
Generally recommended for Urinal Screen application.

Wall Hung Urinal Screen with Continuous Brackets



Generally used where specifications require the Urinal Screen to have a continuous bracket.

Wall Hung Urinal Screen with Continuous Brackets and Wing Bracket



Generally used where specifications require the Urinal Screen to have a continuous bracket in addition to the Mills wing bracket.

Verify all rough-in dimensions prior to installation.

Consult local and national codes. Conformity and compliance to local and national codes is the responsibility of the installer.

Page 2 of 2 1/12/2018

This information is subject to change without notice.

Bradley_UrinalScreen_PowderCoatedStainlessSteel

© 2018 Bradley
P.O. Box 309, Menomonee Falls, WI 53052-0309
800 BRADLEY (800 272 3539) +1 262 251 6000
bradleycorp.com