

- Complies with American National Standard Z358.1-2009
- Includes Wall-Mounting Bracket, Universal Identification Sign and Inspection Tag
- Full, One-Year Warranty — Water Preservative Not Included

Specifications

S19-921H: Self-contained eyewash unit is ideal anywhere water supply is not available. Flushes eyes for 15 minutes at a minimum of 0.4 gallons/minute by using only 7 gallons of water. Transparent tank assembly lets you see at a glance when it's time to clean or refill the tank. Sturdy pedestal with hinged eyewash tray pulls down in one quick motion. Removable tank is inverted onto pedestal, piercing a liner. Stainless steel clamps hold tank to pedestal. When arm is pulled down, water flow is activated.

Insulated heater jacket thermostatically controls water in weather conditions down to -10°F (-23.33°C). LED indicator lights ensure proper operation of heaters. GREEN means power is ON. AMBER means heaters are in operation. RED means unit has malfunctioned. This will automatically shut the unit off. Pulling front strap down and away from unit activates eyewash. Uses standard 120VAC power cord.

On-Site Heated unit is not rated for outdoor use.

Construction

Refillable eyewash tank fills to 7 gallons. Weighs 60 lbs. filled and 3.5 lbs. empty. Transparent tank made of impact resistant plastic, colored bright yellow for high visibility in emergency situations. Pedestal supports the eyewash tank and weighs 6 lbs. The yellow pedestal and black pull-down arm are made of impact and chemical resistant plastic. Wall bracket is stainless steel. Yellow insulated jacket made of 200 Denier foam-backed nylon oxford w/clear vinyl pocket for indicator light box. Silicone rubber pad heaters have PSA adhesive backing for ease of installation.

Standard Equipment

Tank

12"H x 22"W x 9"D tank made of transparent yellow polycarbonate.

Pedestal

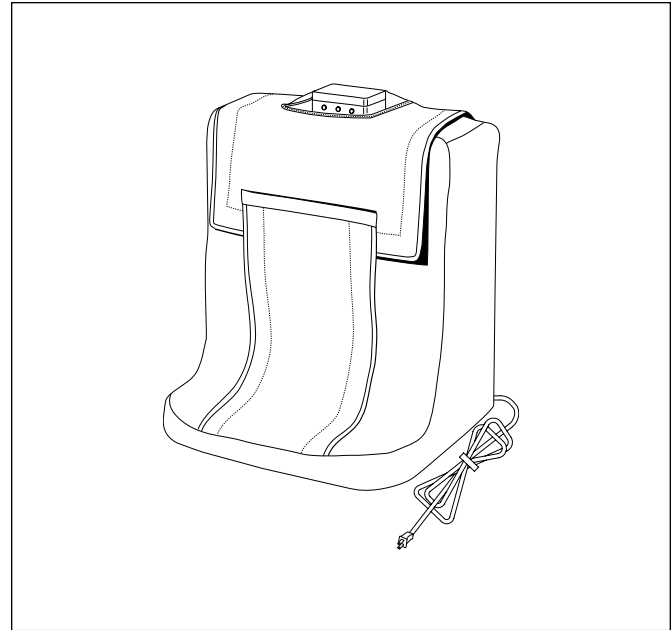
13½"H x 22"W x 18½"D pedestal made of opaque yellow polypropylene, with a black polypropylene pull-down arm.

Wall Bracket

Stainless steel mounting bracket.

Waste

Nipple for ½" I.D. tube.



Jacket

High-visibility yellow, waterproof insulated jacket made of 200 Denier foam-backed nylon w/clear vinyl pocket. Includes 9' cord.

Heaters

121-watt tank heater and 60-watt tube heater made of silicone rubber with PSA adhesive backing.

Dual Thermostat

75°F +/- 5° normal operation thermostat in series with overheat protection of 90°F +/- 5° high limit, manually reset thermostat.

Indicator Lights

Green, Amber and Red LED indicator.

Model	Description
□ S19-921H	On-Site Heated Gravity Fed Eyewash

